

CRYSTALS / HEAT SINKS / SEMICONDUCTORS



Adhesives	
Conductive	4, 22
Heat Sink	4, 22
Books	22, 23, 40
Ceramic Resonators	42
Clock Oscillators	43-45
Crystal Filters	42
Crystals, Microprocessor	41, 42, 44, 45
Diacs	13, 25
Diodes	
Arrays	9
Current Regulating	9
Germanium	9
High Voltage	10
Infrared	25, 46
Kits	352
Replacement	23, 25
Signal	9
Silicon	9
Surface Mount	6, 8, 9, 25
Switching	9, 23, 25
Zener	8, 23
EPROM Erasers	27

EPROM Programmers	29
Heat Sinks	
Assemblies	4
Case Styles	
DIP Packages	5
Premium Space	4, 5
Transistors & IC's	22
Integrated Circuits	
4000	34, 35
7400	31
74AC	31
74ACT	31
74ALS	33
74C	31
74FCT	31
74HC	31-33
74HCT	33
74LS	33, 34
74S	34
BICMOS	31, 35, 36, 38
CMOS	27-40
EEPROMS	28, 29
EPROMS	25, 28, 29, 40
FIFOs	29
Kits	27, 40, 352
Linears	25, 35-40

Integrated Circuits (cont.)	
Memories	25, 28, 29
Microprocessors	25, 27
Operational Amps	25, 35-40
Peripherals	25, 27
Regulators	25, 27, 35-40
Replacement	23, 25
Surface Mount	28-40
TTL	31, 33
Kits	
Diode	352
Integrated Circuits	27, 352
Linear IC	25, 352
Microprocessor Crystals	352
Rectifier	352
Replacement Semi's	23, 352
Semiconductor	22, 23, 27, 352
Transistor	22, 352
Voltage Regulator IC	27, 40, 352
Zener Diode	352
Memory	
DRAMs	29
EEPROMS	28, 29
EPROMS	25, 28, 29, 40
FIFOs	29
FLASH	29

Main Menu

New This Issue

Products

Vendors

Service

Spec Sheets

Help

CRYSTALS / HEAT SINKS / SEMICONDUCTORS

BACK

NEXT

Memory (cont.)	
SRAMS	25, 27, 28
TAGRAM	29
VRAMS	29
Microprocessor Crystals	41,
.....	42, 44, 45
Microprocessors	25, 27
Mosfets	18-21, 23, 25
Oscillators	43-45
Photo Cells	46
Programmers	27, 29
RAMs	25, 28, 29
Rectifiers	
Bridge	12, 23, 25
Current	9
Fast Recovery	9, 11, 25
Glass Passivated	10, 11
High Efficiency	10
High Voltage	10, 23, 25
Kits	352
Power	13, 25
Replacement	23, 25
Schottky Barrier	9, 11
Silicon	9, 10
Super Fast Recovery	11

Rectifiers (cont.)	
Surface Mount	9-12
Ultra Fast	9
SCRs	14, 17, 19-21, 23, 25
Semiconductors	
Alternistors	13
Cross Reference	22-25, 40
Diacs	13, 25
Diodes	6, 8-10, 23, 25, 46, 352
Integrated Circuits	23-40
Kits	22, 23, 27, 352
Memory	25, 28, 29, 40
Mosfets	18-21, 23, 25
Oscillators	43-45
Rectifiers	9-13, 23, 25, 352
Replacement	23, 25, 352
SCR's	14, 17, 19-21, 23, 25
Sidacs	13
Surface Mount	6-12, 16-22
.....	25, 28-40
Thyristors	13-16
Transistors	13-25
Transient Voltage Suppressors	6, 7, 25
Triacs	13, 15, 19, 25
Zener Diodes	8, 23, 25, 352
Sidacs	13

Software, Cross Reference	22,
.....	25, 40
Surface Mount	
CMOS	28-40
Crystal, Microprocessor	41, 42,
.....	44, 45
Diodes	6, 8, 9
Integrated Circuits	28-40
Oscillators	44, 45
Rectifiers	9-12
Static RAMs	28, 29
Transistors	16-22
Zener Diodes	8
Thyristors	13-16
Transient Voltage Suppressors	6, 7, 25
Transistors	13-25
Triacs	13, 15, 19, 25
Tuning Fork Crystals	42, 44, 45
Voltage Regulators	25, 27, 35-40
Zener Diodes	8, 23, 25, 352
Manufacturers:	
Aavid	4, 5
AVG Semiconductor	9, 31, 33, 34

Main Menu

New This Issue

Products

Vendors

Service

Spec Sheets

Help



CRYSTALS / HEAT SINKS / SEMICONDUCTORS



Manufacturers (cont.)

Central Semiconductor8, 16,
.....17, 20

ECS41-43

EE Tools.....27, 29

EIC Semiconductors6-9

EXL Semiconductors6-9, 12,
.....16-22, 36-40

Manufacturers (cont.)

Fox Electronics.....44, 45

GC Electronics22, 46

Harris9, 16-21, 27,
.....31-38, 40

Hearst Publishing40

NEC28-30, 36, 38-41

NJR35-40

Manufacturers (cont.)

NTE.....23, 24, 27-31, 34, 35

Rectron.....8-12

Rohm8, 9, 16-22, 36-40

SGS Thompson6, 9, 16-22, 27-40

Teccor13-15, 17, 19, 21

Thompson SK.....25

Main Menu

New This Issue

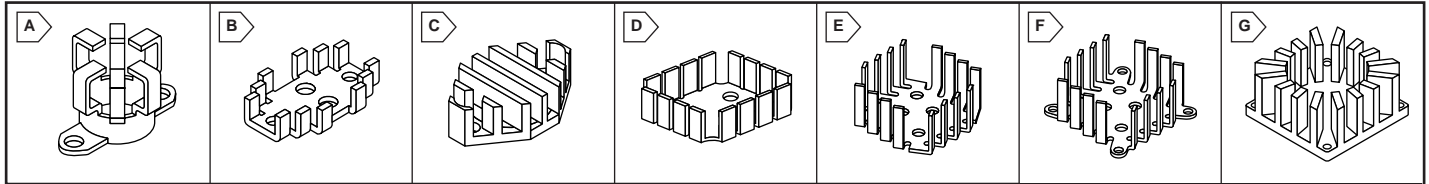
Products

Vendors

Service

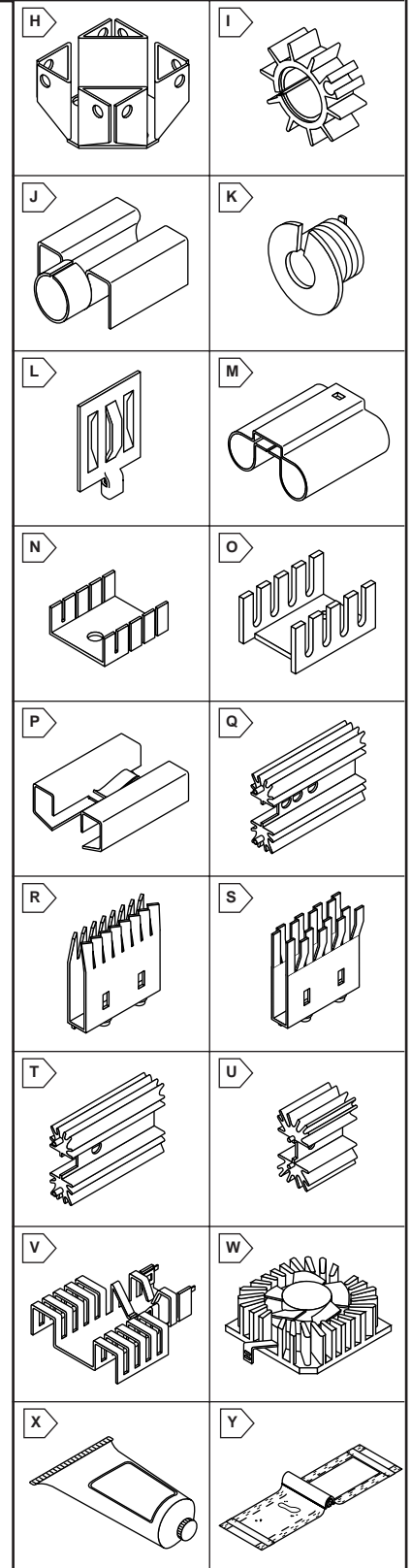
Spec Sheets

Help



HEAT SINKS

MOUSER STOCK NO.	Fig.	Description	Ther Res (°C/W)	Dimensions (In.)			Price Each			
				L	W	H	1	10	100	500
For TO-3 Case Styles										
532-579103B00	A	Space saving, expandable collar	22.0	1.540	1.125	.870	.75	.67	.57	.48
532-575603B00	B	Space saving, slanted fin basket	15.6	1.630	1.290	.500	.79	.70	.59	.50
532-575703B00	B	Space saving, slanted fin basket	13.4	1.630	1.290	.750	.77	.69	.58	.49
532-575803B00	B	Space saving, slanted fin basket	11.0	1.630	1.290	1.000	.96	.85	.72	.61
532-575903B00	B	Space saving, slanted fin basket	9.8	1.630	1.290	1.250	1.04	.92	.78	.66
532-542303X00	C	Space saving, cap cover	16.4	1.610	1.062	0.500	3.07	2.73	2.31	1.96
532-542603X00	C	Space saving, cap cover	15.2	1.610	1.062	0.750	3.30	2.93	2.49	2.10
532-542703X00	C	Space saving, cap cover	12.8	1.610	1.062	1.000	4.19	3.71	3.15	2.66
532-501303B00	D	Space saving, minimal board space	12.0	1.880	1.400	0.500	.70	.62	.52	.44
532-501403B00	D	Space saving, minimal board space	10.0	1.880	1.400	0.750	.74	.65	.55	.47
532-501503B00	D	Space saving, minimal board space	8.4	1.880	1.400	1.000	1.02	.91	.77	.65
532-501603B00	D	Space saving, minimal board space	7.8	1.880	1.400	1.250	1.16	1.03	.87	.74
532-576103B00	E	Slanted vanes for maximum cooling	7.2	1.810	1.810	0.500	.77	.68	.57	.49
532-576203B00	E	Slanted vanes for maximum cooling	6.2	1.810	1.810	0.750	.88	.78	.66	.56
532-576303B00	E	Slanted vanes for maximum cooling	6.0	1.810	1.810	1.000	1.09	.97	.82	.69
532-500103B00	F	Slanted fins for efficient cooling	7.2	1.810	1.810	0.500	1.71	1.52	1.29	1.09
532-500203B00	F	Slanted fins for efficient cooling	6.2	1.810	1.810	0.750	2.70	2.39	2.03	1.72
532-500303B00	F	Slanted fins for efficient cooling	5.8	1.810	1.810	1.000	1.57	1.39	1.18	1.00
532-500403B00	F	Slanted fins for efficient cooling	5.0	1.810	1.810	1.250	1.20	1.07	.91	.77
532-568303B00	G	Natural or forced air cooling	5.4	1.810	1.810	1.250	3.97	3.52	2.99	2.53
532-569003B00	H	Fold-back fins for maximum surface	5.4	1.830	1.830	1.310	1.15	1.02	.87	.73
For TO-66 Case Styles										
532-579206B00	A	Expandable collar heat sink	22.0	1.225	0.812	.540	.78	.69	.59	.50
532-569006B00	H	Fold-back fins for maximum surface	5.4	1.830	1.830	1.310	1.32	1.17	1.00	.84
For TO-5 Case Styles										
532-323005B00	I	Finned for maximum thermal cooling	56.0	0.750	0.750	0.250	.93	.82	.70	.59
532-578205B00	J	Snap-on cooler for easy assembly	38.0	0.750	0.830	0.395	.22	.20	.17	.14
532-578305B00	J	Snap-on cooler for easy assembly	35.0	0.750	0.830	0.395	.26	.23	.20	.17
For TO-18 and TO-92 Case Styles										
532-322400B00	K	Space saver, easy installation	100.0	0.500	0.500	0.235	.67	.59	.50	.42
For TO-92 Case Styles										
532-572000B00	L	Slip-on, low cost, minimum space	60.0	---	0.602	0.720	.23	.21	.17	.15
532-575400B00	L	Slip-on, low cost, minimum space	40.0	---	0.602	1.220	.24	.22	.18	.15
For TO-126 and TO-127 Case Styles										
532-577500B00	M	Vertical mount for easy assembly	26.0	0.520	0.775	0.320	.26	.23	.19	.16
532-507302B00	N	Economy, low profile	24.0	0.750	0.750	0.375	.18	.16	.14	.12
For TO-202 Case Styles										
532-576904B00	O	Trim, low profile, minimum space	32.0	0.750	0.520	0.250	.26	.23	.19	.16
532-577304B00	O	Trim, low profile, minimum space	27.2	0.750	0.520	0.375	.24	.22	.18	.15
532-577404B00	O	Trim, low profile, minimum space	24.0	0.750	0.520	0.500	.25	.22	.18	.15
532-574204B00	P	Clip-on cooler for easy assembly	16.8	0.390	1.020	0.900	.25	.22	.19	.16
532-531002B25	Q	Extruded for HD application, solid pins	13.6	0.500	1.380	1.000	1.03	.91	.78	.66
532-531102B00	Q	Extruded for HD application, no pins	11.0	0.500	1.380	1.500	1.24	1.10	.94	.79
532-531102B25	Q	Extruded for HD application, solid pins	11.0	0.500	1.380	1.500	1.08	.96	.82	.69
532-531202B00	Q	Extruded for HD application, no pins	9.0	0.500	1.380	2.000	1.12	.99	.84	.71
532-531202B25	Q	Extruded for HD application, solid pins	9.0	0.500	1.380	2.000	1.16	1.03	.87	.74
532-531302B00	Q	Extruded for HD application, no pins	8.0	0.500	1.380	2.500	1.10	.98	.83	.70
532-531302B25	Q	Extruded for HD application, solid pins	8.0	0.500	1.380	2.500	1.20	1.06	.90	.76
For TO-218 Case Styles										
532-530101B10	R	Versatile high rise, twisted fins	16.8	0.500	1.750	1.750	1.04	.92	.78	.66
532-530101B15	R	Versatile high rise, twisted fins	16.8	0.500	1.750	1.750	1.47	1.30	1.11	.93
532-530401B15	S	Versatile high rise, staggered fins	16.8	0.750	1.750	1.750	1.47	1.30	1.11	.93
532-513102B25	T	Solder pins for solder mounting	11.0	0.500	1.380	1.500	.91	.81	.69	.58
532-513201B25	T	Solder pins for solder mounting	9.0	0.500	1.380	2.000	.95	.84	.72	.61
532-529801B25	U	Solder pins for solder mounting	5.0	1.000	1.650	1.500	1.30	1.15	.98	.83
532-592201B34	V	Clip-on with fold back fins	6.8	0.470	1.950	1.970	1.00	.88	.75	.63



HEAT SINK ASSEMBLIES FOR PENTIUM CPUs

MOUSER STOCK NO.	Fig.	Description	Dimensions (In.)			Price Each			
			L	W	H	1	25	100	1000
532-355452F267	W	Heat sink and fan for pentium CPU with clip	1.960	1.960	0.650	16.98	15.28	13.58	11.89
532-355455F267	W	Heat sink and 12V fan for pentium CPU with clip	1.960	1.960	0.650	16.98	15.28	13.58	11.89

THERMALLY CONDUCTIVE ADHESIVE AND COMPOUND

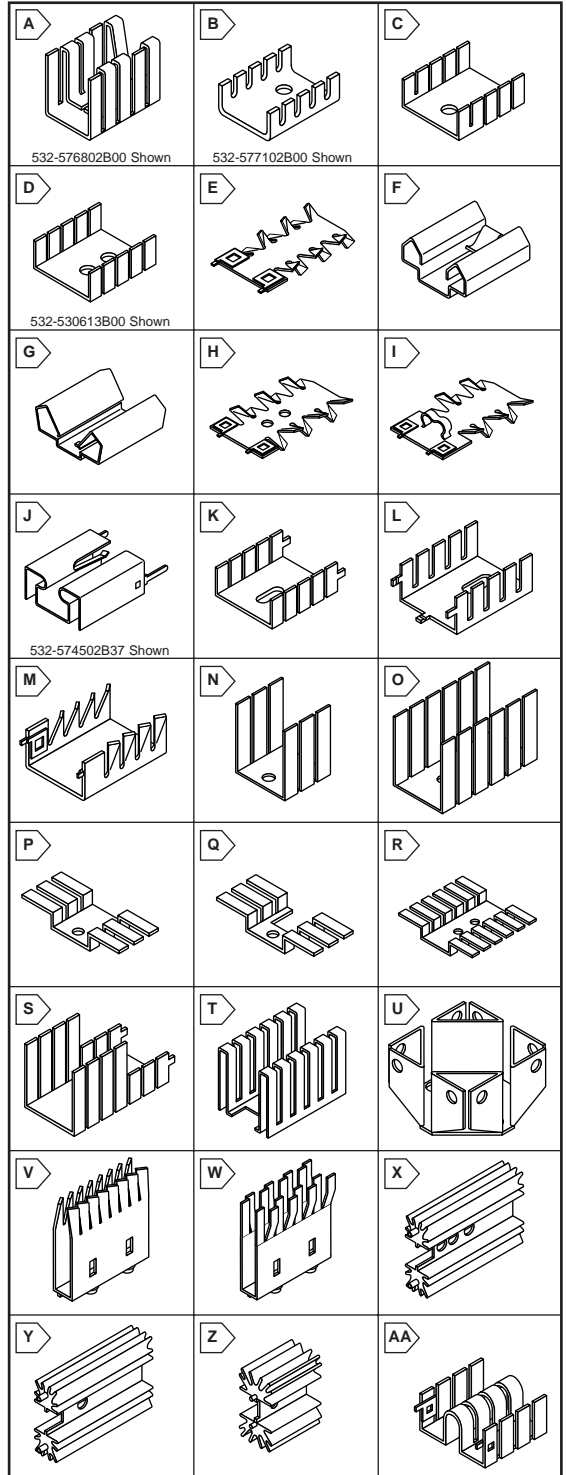
MOUSER STOCK NO.	Fig.	Description	Ther Res (°C/W)	Dielectric Strength	Thermal Conductivity	Price Each			
						1	10	100	500
532-100500F00	X	Thermally conductive compound	5 oz.	250	5.2	22.50	19.94	16.94	14.32
532-161000F00	Y	2-part thermally conductive adhesive	10 g	410	6.1	9.03	8.01	6.80	5.75



FOR TO-220 CASE STYLES

For quantities greater than listed, call for quote.

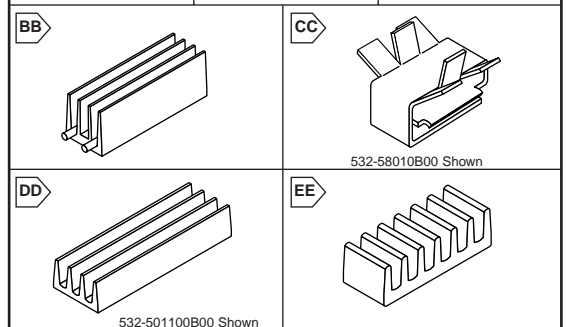
MOUSER STOCK NO.	Fig.	Description	Ther Res (°C/W)	Dimensions (In.)			Price Each		
				L	W	H	1	10	100
532-576802B00	A	Slim, plug-in without tabs	18.8	0.750	0.500	0.500	.33	.29	.24
532-576802B31	A	Slim, plug-in with horiz. tabs, horiz. mnt	18.8	0.750	0.500	0.500	.47	.42	.35
532-576802B37	A	Slim, plug-in with vert. tabs, horiz. mount	18.8	0.500	0.500	0.750	.50	.44	.37
532-576802B39	A	Slim, plug-in with vert. tabs, horiz. mount	18.8	0.500	0.500	0.750	.42	.37	.31
532-576802B40	A	Slim, plug-in with vert. tabs, horiz. mount	18.8	0.500	0.500	0.750	.45	.40	.34
532-576802B41	A	Slim, plug-in with vert. tabs, vert. mount	18.8	0.500	0.500	0.750	.49	.43	.37
532-591302B28	A	Slim, plug-in with shur-lock tabs, vert mnt.	26.8	0.750	0.500	0.500	.62	.55	.46
532-577002B00	B	Compact, limited space, no tabs	32.0	0.750	0.520	0.250	.23	.20	.17
532-577002B40	B	Compact, limited space, with tabs	32.0	0.250	0.520	0.750	.32	.28	.24
532-577102B00	B	Compact, limited space, no tabs	26.0	0.750	0.520	0.375	.20	.18	.15
532-577102B40	B	Compact, limited space, with tabs	26.0	0.375	0.520	0.750	.29	.26	.22
532-577202B00	B	Compact, limited space, no tabs	24.4	0.750	0.520	0.500	.20	.18	.15
532-577202B40	B	Compact, limited space, with tabs	24.4	0.500	0.520	0.750	.41	.36	.31
532-507302B00	C	Economy, low profile cooler	24.0	0.750	0.750	0.375	.18	.16	.14
532-530613B00	D	Light weight for PCB applications	19.2	1.180	1.000	0.500	.37	.32	.28
532-530614B00	D	Light weight for PCB applications	19.2	1.180	1.000	0.500	.37	.32	.28
532-530714B00	D	Light weight for PCB applications	22.8	0.710	1.000	0.500	.26	.23	.19
532-576012B00	D	Light weight for PCB applications	23.2	0.900	1.000	0.375	.43	.38	.32
532-592502B34	E	Wave-solderable with twisted fins	22.0	0.250	0.875	1.250	.56	.50	.42
532-579302B00	F	Snap-down, built-in clip	16.8	0.750	0.980	0.440	.28	.25	.21
532-579402B00	F	Snap-down, built-in clip	16.8	0.750	0.980	0.440	.31	.27	.23
532-575102B00	G	Snap-down, with semi held by pins	16.8	0.750	1.120	0.435	.33	.29	.25
532-593202B35	H	Wave-solderable with twisted fins	10.0	0.500	1.380	2.000	.76	.68	.58
532-534302B35	I	Twisted fins with kool-klip snap	10.4	0.490	1.380	2.000	.80	.71	.60
532-574602B37	J	Plug-in, w/spring, stepped tab, vert. mt.	21.6	0.395	0.860	0.690	.54	.48	.40
532-574102B00	J	Plug-in, w/spring, w/o tabs, vert. mt.	23.2	0.395	0.860	0.750	.24	.21	.18
532-574502B00	J	Plug-in, w/spring, w/o tabs, vert. mt.	21.2	0.395	0.860	0.750	.23	.21	.18
532-574502B32	J	Plug-in, w/spring, horiz. tabs, vert. mt.	21.2	0.395	0.860	0.750	.41	.37	.31
532-574502B33	J	Plug-in, w/spring, horiz. tabs, vert. mt.	21.2	0.395	0.860	0.750	.45	.40	.34
532-574502B37	J	Plug-in, w/spring, stepped tabs, vert. mt.	21.2	0.395	0.860	0.750	.40	.35	.30
532-574502B48	J	Plug-in, w/spring, vert. tabs, vert. mt.	21.2	0.395	0.860	0.750	.44	.39	.33
532-574902B33	J	Plug-in, w/spring, vert. tabs, vert. mt.	16.0	1.375	0.860	0.395	.61	.54	.46
532-574902B37	J	Plug-in, w/spring, stepped tabs, vert. mt.	16.0	1.375	0.860	0.395	.64	.56	.48
532-574402B32	J	Plug-in, w/spring, horiz. tabs, horiz. mt.	23.2	0.750	0.860	0.395	.40	.35	.30
532-523002B00	K	Vertical, low cost, black anodized	13.6	0.500	1.000	1.180	.41	.36	.30
532-523002T00	K	Vertical, low cost, dielectric coat	13.6	0.500	1.000	1.180	1.00	.89	.76
532-575002B00	K	Vertical, low cost, black anodized	13.6	0.500	1.000	1.180	.33	.29	.25
532-575002T00	K	Vertical, low cost, dielectric coat	13.6	0.500	1.000	1.180	1.30	1.16	.98
532-563002B00	L	Vertical mount, black anodized	13.0	0.500	1.000	1.180	.33	.29	.25
532-563002D00	L	Vertical mount, tin plated	13.0	0.500	1.000	1.180	.79	.70	.59
532-576602B00	L	Vertical mount, black anodized	16.6	0.500	1.000	0.950	.41	.37	.31
532-576602T00	L	Vertical mount, tin plated	16.6	0.500	1.000	0.950	1.25	1.11	.94
532-590302B36	L	Vertical mount, black anodized	8.3	1.000	1.000	1.670	.73	.64	.55
532-593002B34	M	Wave-solderable with twisted fins	13.4	0.500	1.000	1.180	.67	.59	.50
532-504102B00	N	Narrow, low profile economy cooler	15.6	0.700	0.700	0.850	.27	.24	.20
532-504222B00	O	Low profile for min PCB space	9.6	1.450	0.700	0.850	.38	.33	.28
532-507002B00	P	Low profile, high power cooler	15.6	0.700	1.750	0.375	.24	.21	.18
532-507102B00	Q	Low profile, high power, hat cooler	- - -	0.700	1.750	0.500	.26	.23	.19
532-507222B00	R	Low profile, high power cooler	9.6	1.470	1.750	0.375	.27	.24	.20
532-590102B36	S	High performance, solder mounting tabs	12.4	1.000	1.000	1.675	.69	.61	.52
532-551002B00	T	Maximum cooling surface in min. space	12.4	1.450	1.006	0.787	.56	.50	.42
532-569022B00	U	High power dissipation with fold fins	5.5	1.830	1.830	1.310	1.32	1.17	1.00
532-530102B15	V	Versatile high rise, twisted fins	16.8	0.500	1.750	1.750	1.47	1.30	1.11
532-530402B10	W	Versatile high rise, staggered fins	16.8	0.750	1.750	1.750	1.30	1.15	.98
532-531002B25	X	Extruded for HD application, solid pins	13.6	0.500	1.380	1.000	1.03	.91	.78
532-531102B00	X	Extruded for HD application, no pins	11.0	0.500	1.380	1.500	1.24	1.10	.94
532-531102B25	X	Extruded for HD application, solid pins	11.0	0.500	1.380	1.500	1.08	.96	.82
532-531202B00	X	Extruded for HD application, no pins	9.0	0.500	1.380	2.000	1.12	.99	.84
532-531202B25	X	Extruded for HD application, solid pins	9.0	0.500	1.380	2.000	1.16	1.03	.87
532-531302B00	X	Extruded for HD application, no pins	8.0	0.500	1.380	2.500	1.10	.98	.83
532-531302B25	X	Extruded for HD application, solid pins	8.0	0.500	1.380	2.500	1.20	1.06	.90
532-513102B25	Y	Solder pins for solder mounting	11.0	0.500	1.380	1.500	.91	.81	.69
532-513201B25	Y	Solder pins for solder mounting	9.0	0.500	1.380	2.000	.95	.84	.72
532-529802B25	Z	Solder pins for solder mounting	5.0	1.000	1.650	1.500	1.31	1.16	.99
532-578622B32	AA	Vertical mount, staked-on tin tabs	12.2	0.500	1.480	1.030	.63	.56	.47
532-581002B25	BB	High performance extrusion	17.4	0.640	1.000	0.640	1.18	1.05	.89



FOR DIP PACKAGES

For quantities greater than listed, call for quote.

MOUSER STOCK NO.	Fig.	Description	Ther Res (°C/W)	Dimensions (In.)			Price Each		
				L	W	H	1	10	100
532-580100B00	CC	Low cost for 8 pin DIP packages	30.0	0.562	0.600	0.450	.32	.28	.24
532-580200B00	CC	Low cost for 14/16 pin plastic DIP pkgs	20.0	0.837	0.600	0.410	.33	.29	.25
532-560200B00	CC	Low cost for 14/16 pin ceramic DIP pkgs	20.0	0.837	0.600	0.410	.47	.42	.36
532-580400B00	CC	Low cost for 20 pin DIP packages	39.0	1.055	0.700	0.556	.62	.55	.47
532-580500B00	CC	Low cost for 24 pin DIP packages	20.0	1.460	1.008	0.580	.59	.52	.44
532-580600B00	CC	Low cost for 28 pin DIP packages	20.0	1.680	1.000	0.580	.81	.72	.61
532-580700B00	CC	Low cost for 40 pin DIP packages	22.0	2.256	0.980	0.590	.64	.57	.48
532-501100B00	DD	Glue-on for 14/16 pin DIP packages	67.0	0.750	0.250	0.190	.46	.41	.35
532-501200B00	EE	Glue-on for 14/16 pin DIP packages	68.0	0.730	0.250	0.190	.56	.50	.42
532-508500B00	DD	Glue-on for 24 pin DIP packages	20.0	1.250	0.530	0.190	.61	.54	.46
532-508600B00	DD	Glue-on for 28 pin DIP packages	20.0	1.450	0.530	0.190	.71	.63	.53
532-508700B00	DD	Glue-on for 40 pin DIP packages	27.2	2.000	0.530	0.190	1.06	.94	.80



Surge Protection Devices



CROWBAR TYPE PROTECTION DIODES



◆ Surface Mount Device

These new devices from SGS offer protections for telecommunication equipment from environmental surge conditions induced by AC power lines. Each series offers a bi-directional crowbar protection. These diodes offer high operating temperature, perfect stability of the characteristics in time (i.e. contrary to most other technologies, these devices do not age), and have extremely short response times.

For quantities greater than listed, call for quote.

	Replaces Teccor	MOUSER STOCK NO.	Fig.	Package	VBR @ IR		VBO @ IBO		IPP (A) Max.	ITSM (A) Max.	IH (mA) Min.	Price Each		
					(V) Min.	(mA) Min.	(V) Max.	(mA) Max.				1	100	500
◆	P2300SA	511-SMTPA180	A	SOD-6	180	1	240	800	50	30	150	.76	.63	.56
◆	P2600SA	511-SMTPA200	A	SOD-6	200	1	267	800	50	30	150	.76	.63	.56
◆	P3100SA	511-SMTPA240	A	SOD-6	240	1	320	800	50	30	150	.76	.63	.56
◆	P3500SA	511-SMTPA270	A	SOD-6	270	1	360	800	50	30	150	.76	.63	.56
◆	P0800SA	511-SMP100-65	A	SOD-6	65	.05	80	- - -	100	50	170	1.01	.84	.75
◆	P2300SB	511-SMP100-200	A	SOD-6	200	.05	265	- - -	100	50	170	1.01	.84	.75
◆	P3100SB	511-SMP100-270	A	SOD-6	270	.05	350	- - -	100	50	170	1.01	.84	.75
◆	P640EA70	511-TPA62A18	B	F-126	62	1	82	300	50	30	180	.60	.49	.44
◆	P720EA70	511-TPA68A18	B	F-126	68	1	90	300	50	30	180	.60	.49	.44
◆	P1500EA70	511-TPA120A18	B	F-126	120	1	160	300	50	30	180	.60	.49	.44
◆	P1500EA70	511-TPA130A18	B	F-126	130	1	173	300	50	30	180	.69	.57	.51
◆	P2300EA70	511-TPA180A18	B	F-126	180	1	240	300	50	30	180	.69	.57	.51
◆	P2300EA70	511-TPA200A18	B	F-126	200	1	267	300	50	30	180	.69	.57	.51
◆	P2600EA70	511-TPA220A18	B	F-126	220	1	293	300	50	30	180	.69	.57	.51
◆	P3000AA61	511-TPA240A18	B	F-126	240	1	320	300	50	30	180	.69	.57	.51
◆	P3100EA70	511-TPA270A18	B	F-126	270	1	360	300	50	30	180	.69	.57	.51

TRANSIENT VOLTAGE SUPPRESSORS

(A = Uni-directional; CA = Bi-directional)

For quantities greater than listed, call for quote.

Industry Type	MOUSER STOCK NO.	Fig.	Package	VBR @ It			VRWM (V)	IR (μA) Max.	IRSM (A) Max.	VRSM (V) Max.	Price Each				
				(V) Min.	(V) Max.	(mA)					1	100	500		
500 Watt															
SA5.0A	333-SA5.0A	C	DO-204AC	6.40	7.00	10	5.00	600	54.30	9.2	1.32	.99	.85		
SA5.0CA	333-SA5.0CA	C	DO-204AC	6.40	7.00	10	5.00	600	54.30	9.2	1.44	1.08	.91		
SA6.0A	333-SA6.0A	C	DO-204AC	6.67	7.37	10	6.00	600	48.50	10.3	1.32	.99	.85		
SA6.0CA	333-SA6.0CA	C	DO-204AC	6.67	7.37	10	6.00	600	48.50	10.3	1.44	1.08	.91		
SA6.5A	333-SA6.5A	C	DO-204AC	7.22	7.98	10	6.50	400	44.70	11.2	1.32	.99	.85		
SA6.5CA	333-SA6.5CA	C	DO-204AC	7.22	7.98	10	6.50	400	44.70	11.2	1.44	1.08	.91		
SA10A	333-SA10A	C	DO-204AC	11.10	12.30	1	10.00	1	29.40	17.0	.68	.51	.43		
SA10A	603-SA10A	D	DO-41	11.10	12.30	1	10.00	1	29.40	17.0	.68	.51	.43		
SA10CA	333-SA10CA	C	DO-204AC	11.10	12.30	1	10.00	1	29.40	17.0	.68	.51	.43		
SA11A	333-SA11A	C	DO-204AC	12.20	13.50	1	11.00	1	27.40	18.2	.68	.51	.43		
SA11A	603-SA11A	D	DO-41	12.20	13.50	1	11.00	1	27.40	18.2	.68	.51	.43		
SA11CA	333-SA11CA	C	DO-204AC	12.20	13.50	1	11.00	1	27.40	18.2	.68	.51	.43		
SA12A	333-SA12A	C	DO-204AC	13.30	14.70	1	12.00	1	25.10	19.9	.68	.51	.43		
SA12A	603-SA12A	D	DO-41	13.30	14.70	1	12.00	1	25.10	19.9	.68	.51	.43		
SA12CA	333-SA12CA	C	DO-204AC	13.30	14.70	1	12.00	1	25.10	19.9	.68	.51	.43		
SA15A	333-SA15A	C	DO-204AC	16.70	18.50	1	15.00	1	20.60	24.4	.68	.51	.43		
SA15A	603-SA15A	D	DO-41	16.70	18.50	1	15.00	1	20.60	24.4	.68	.51	.43		
SA15CA	333-SA15CA	C	DO-204AC	16.70	18.50	1	15.00	1	20.60	24.4	.68	.51	.43		
SA20A	333-SA20A	C	DO-204AC	22.20	24.50	1	20.00	1	15.40	32.4	.68	.51	.43		
SA20A	603-SA20A	D	DO-41	22.20	24.50	1	20.00	1	15.40	32.4	.68	.51	.43		
SA20CA	333-SA20CA	C	DO-204AC	22.20	24.50	1	20.00	1	15.40	32.4	.68	.51	.43		
SA24A	333-SA24A	C	DO-204AC	26.70	29.50	1	24.00	1	12.80	38.9	.68	.51	.43		
SA24A	603-SA24A	D	DO-41	26.70	29.50	1	24.00	1	12.80	38.9	.68	.51	.43		
SA24CA	333-SA24CA	C	DO-204AC	26.70	29.50	1	24.00	1	12.80	38.9	.68	.51	.43		
SA28A	333-SA28A	C	DO-204AC	31.10	34.40	1	28.00	1	11.00	45.4	.68	.51	.43		
SA28CA	333-SA28CA	C	DO-204AC	31.10	34.40	1	28.00	1	11.00	45.4	.68	.51	.43		
SA30A	333-SA30A	C	DO-204AC	33.30	36.80	1	30.00	1	10.30	48.4	.68	.51	.43		
SA30A	603-SA30A	D	DO-41	33.30	36.80	1	30.00	1	10.30	48.4	.68	.51	.43		
SA30CA	333-SA30CA	C	DO-204AC	33.30	36.80	1	30.00	1	10.30	48.4	.68	.51	.43		
SA33A	333-SA33A	C	DO-204AC	36.70	40.60	1	33.00	1	9.40	53.3	.68	.51	.43		
SA33A	603-SA33A	D	DO-41	36.70	40.60	1	33.00	1	9.40	53.3	.68	.51	.43		
SA33CA	333-SA33CA	C	DO-204AC	36.70	40.60	1	33.00	1	9.40	53.3	.68	.51	.43		
SA36A	333-SA36A	C	DO-204AC	40.00	44.20	1	36.00	1	8.60	58.1	.68	.51	.43		
SA75A	333-SA75A	C	DO-204AC	83.30	92.10	1	75.00	1	4.10	121.0	.68	.51	.43		
SA75A	603-SA75A	D	DO-41	83.30	92.10	1	75.00	1	4.10	121.0	.68	.51	.43		
SA75CA	333-SA75CA	C	DO-204AC	83.30	92.10	1	75.00	1	4.10	121.0	.68	.51	.43		
600 Watt (Additional product available on next page)															
◆	SMBJ5.0A	333-SMBJ5.0A	E	DO-214AA	6.40	7.25	10	5.00	800	65.20	9.2	1.32	.99	.85	
◆	SMBJ5.0CA	333-SMBJ5.0CA	E	DO-214AA	6.40	7.25	10	5.00	800	65.20	9.2	1.44	1.08	.91	
◆	SMBJ6.5A	333-SMBJ6.5A	E	DO-214AA	7.22	8.30	10	6.50	500	53.60	11.2	1.32	.99	.85	
◆	SMBJ6.5CA	333-SMBJ6.5CA	E	DO-214AA	7.22	8.30	10	6.50	500	53.60	11.2	1.44	1.08	.91	
◆	P6KE6.8A	511-P6KE6V8A	C	CB417	6.45	7.14	10	5.80	1000	57.00	10.5	.37	.30	.27	
◆	P6KE6.8CA	511-P6KE6V8CA	C	CB417	6.45	7.14	10	5.80	1000	57.00	10.5	.37	.30	.27	
◆	P6KE7.5A	333-P6KE7.5A	C	DO-204AC	7.13	7.88	10	6.40	500	53.00	11.3	.51	.42	.37	
◆	P6KE7.5CA	333-P6KE7.5CA	C	DO-204AC	7.13	7.88	10	6.40	500	53.00	11.3	.51	.42	.37	
◆	SMBJ7.5A	333-SMBJ7.5A	E	DO-214AA	8.33	9.58	1	7.50	100	46.50	12.9	.94	.78	.70	
◆	P6KE7.5CA	511-P6KE7V5CA	C	CB417	7.13	7.88	10	6.40	500	53.00	11.3	.37	.30	.27	
◆	SMBJ7.5CA	333-SMBJ7.5CA	E	DO-214AA	8.33	9.58	1	7.50	100	46.50	12.9	.83	.68	.61	
◆	P6KE8.2A	333-P6KE8.2A	C	DO-204AC	7.79	8.61	10	7.02	200	50.00	12.1	.59	.47	.38	
◆	P6KE8.2CA	333-P6KE8.2CA	C	DO-204AC	7.79	8.61	10	7.02	200	50.00	12.1	1.02	.77	.61	
◆	SMBJ8.5A	333-SMBJ8.5A	E	DO-214AA	9.44	10.80	1	8.50	20	41.70	14.4	1.32	.99	.85	
◆	SMBJ8.5CA	333-SMBJ8.5CA	E	DO-214AA	9.44	10.80	1	8.50	20	41.70	14.4	1.44	1.08	.92	
◆	P6KE9.1A	333-P6KE9.1A	C	DO-204AC	8.65	9.55	1	7.78	50	45.00	13.4	.59	.47	.38	
◆	P6KE9.1CA	333-P6KE9.1CA	C	DO-204AC	8.65	9.55	1	7.78	50	45.00	13.4	1.02	.77	.61	
◆	P6KE10A	511-P6KE10A	C	CB417	9.50	10.50	1	8.55	10	41.00	14.5	.37	.30	.27	
◆	SMBJ10A	333-SMBJ10A	E	DO-214AA	11.10	12.80	1	10.00	5	35.30	17.0	.94	.78	.70	
◆	P6KE10CA	333-P6KE10CA	C	DO-204AC	9.50	10.50	1	8.55	10	41.00	14.5	.76	.57	.48	
◆	SMBJ10CA	333-SMBJ10CA	E	DO-214AA	11.10	12.80	1	10.00	5	35.30	17.0	1.06	.87	.78	
◆	P6KE12A	603-P6KE12A	C	DO-204AC	11.40	12.60	1	10.20	5	36.00	16.7	.76	.57	.48	
◆	SMBJ12A	333-SMBJ12A	E	DO-214AA	13.30	15.30	1	12.00	5	30.20	19.9	.94	.78	.70	
◆	P6KE12CA	333-P6KE12CA	C	DO-204AC	11.40	12.60	1	10.20	5	36.00	16.7	.60	.49	.44	
◆	SMBJ12CA	333-SMBJ12CA	E	DO-214AA	13.30	15.30	1	12.00	5	30.20	19.9	1.06	.87	.78	
◆	P6KE13A	603-P6KE13A	A	DO-204AC	12.40	13.70	1	11.10	5	33.00	18.2	.51	.42	.37	
◆	S														

Surge Protection Devices

◆ Surface Mount Device

TRANSIENT VOLTAGE SUPPRESSORS (cont.)

(A = Uni-directional; CA = Bi-directional)

For quantities greater than listed, call for quote.

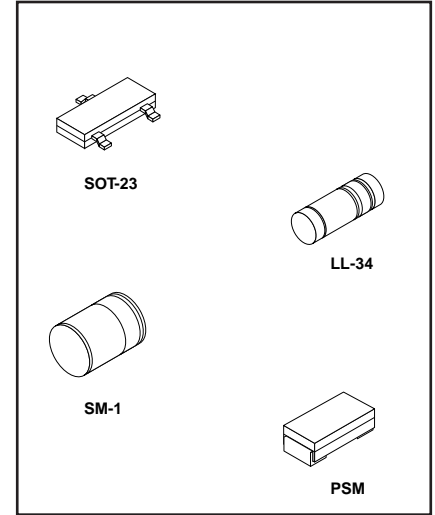
Industry Type	MOUSER STOCK NO.	Fig.	Package	VBR @ It			VRWM (V)	IR (μA) Max.	IRSM (A) Max.	VRSRM (V) Max.	Price Each				
				(V) Min.	(V) Max.	(mA)					1	100	500		
600 Watt (cont.) (Additional product available on previous page)															
◆ SMBJ15A	333-SMBJ15A	A	DO-214AA	16.70	19.20	1	15.00	5	24.00	24.4	.94	.78	.70		
◆ P6KE15CA	511-P6KE15CA	A	CB417	14.3	15.80	1	12.80	5	28.00	21.2	.37	.30	.27		
◆ SMBJ17A	333-SMBJ17A	B	DO-214AA	16.70	19.20	1	15.00	5	24.00	24.4	1.06	.87	.78		
◆ SMBJ17CA	333-SMBJ17CA	A	DO-214AA	18.90	21.70	1	17.00	5	21.70	27.6	1.32	.99	.85		
◆ P6KE18A	603-P6KE18A	B	DO-204AC	17.10	18.90	1	15.00	5	24.00	25.2	1.44	1.08	.92		
◆ P6KE18CA	511-P6KE18CA	A	CB417	17.10	18.90	1	15.30	5	24.00	25.2	.37	.30	.27		
◆ P6KE20A	603-P6KE20A	A	DO-204AC	19.00	21.00	1	17.10	5	22.00	27.7	.51	.42	.37		
◆ P6KE20CA	333-SMBJ20A	B	DO-214AA	22.20	25.50	1	20.00	5	18.50	32.4	1.32	.99	.85		
◆ P6KE22CA	511-P6KE22CA	A	CB417	19.00	21.00	1	17.10	5	22.00	27.7	.37	.30	.27		
◆ P6KE24A	333-SMBJ24A	B	DO-214AA	22.20	25.50	1	20.00	5	18.50	32.4	1.44	1.08	.92		
◆ P6KE24CA	603-P6KE24A	A	DO-204AC	22.80	25.20	1	20.50	5	18.00	33.2	.51	.42	.37		
◆ SMBJ24A	333-SMBJ24A	B	DO-214AA	26.70	30.70	1	24.00	5	15.40	38.9	.94	.78	.70		
◆ P6KE24CA	333-P6KE24CA	A	DO-204AC	22.80	25.20	1	20.50	5	18.00	33.2	.76	.57	.48		
◆ SMBJ24CA	333-SMBJ24CA	B	DO-214AA	26.70	30.70	1	24.00	5	15.40	38.9	1.06	.87	.78		
◆ P6KE27A	333-P6KE27A	A	DO-204AC	25.70	28.40	1	23.10	5	16.00	37.5	.51	.42	.37		
◆ P6KE27CA	603-P6KE27CA	A	DO-204AC	25.70	28.40	1	23.10	5	16.00	37.5	.51	.42	.37		
◆ P6KE30A	511-P6KE30A	A	CB417	25.70	28.40	1	23.10	5	16.00	37.5	.37	.30	.27		
◆ P6KE30CA	603-P6KE30CA	A	DO-204AC	28.50	31.50	1	25.60	5	14.40	41.4	.51	.42	.37		
◆ P6KE30CA	333-P6KE30CA	A	DO-204AC	28.50	31.50	1	25.60	5	14.40	41.4	.60	.49	.44		
◆ P6KE33A	603-P6KE33A	A	DO-204AC	31.40	34.70	1	28.20	5	13.20	45.7	.51	.42	.37		
◆ SMBJ33A	333-SMBJ33A	B	DO-214AA	36.70	42.20	1	33.00	5	11.30	53.3	.94	.78	.70		
◆ P6KE33CA	603-P6KE33CA	A	DO-204AC	31.40	34.70	1	28.20	5	13.20	45.7	.60	.49	.44		
◆ SMBJ33CA	333-SMBJ33CA	B	DO-214AA	36.70	42.20	1	33.00	5	11.30	53.3	1.06	.87	.78		
◆ P6KE36A	603-P6KE36A	A	DO-204AC	34.20	37.80	1	30.80	5	12.00	49.9	.51	.42	.37		
◆ P6KE36CA	511-P6KE36CA	A	CB417	34.20	37.80	1	30.80	5	12.00	49.9	.37	.30	.27		
◆ P6KE39A	603-P6KE39A	A	DO-204AC	37.10	41.00	1	33.30	5	11.20	53.9	.51	.42	.37		
◆ P6KE39CA	511-P6KE39CA	A	CB417	37.10	41.00	1	33.30	5	11.20	53.9	.37	.30	.27		
◆ P6KE51A	603-P6KE51A	A	DO-204AC	48.50	53.60	1	43.60	5	8.60	70.1	.76	.57	.48		
◆ P6KE51CA	511-P6KE51CA	A	CB417	48.50	53.60	1	43.60	5	8.60	70.1	.37	.30	.27		
◆ P6KE68A	603-P6KE68A	A	DO-204AC	64.60	71.40	1	58.10	5	6.50	92.0	.51	.42	.37		
◆ P6KE68CA	333-P6KE68CA	A	DO-204AC	64.60	71.40	1	58.10	5	6.50	92.0	.76	.57	.48		
◆ P6KE100A	603-P6KE100A	A	DO-204AC	95.00	105.00	1	85.50	5	4.40	137.0	.76	.57	.48		
◆ P6KE100CA	603-P6KE100CA	A	DO-204AC	95.00	105.00	1	85.50	5	4.40	137.0	.76	.57	.48		
◆ P6KE150A	333-P6KE150A	A	DO-204AC	143.00	158.00	1	128.00	5	2.90	207.0	.58	.48	.43		
◆ P6KE150CA	603-P6KE150CA	A	DO-204AC	143.00	158.00	1	128.00	5	2.90	207.0	.58	.48	.43		
◆ P6KE200A	333-P6KE200A	A	DO-204AC	190.00	210.00	1	171.00	5	2.20	274.0	.51	.42	.37		
◆ P6KE200CA	603-P6KE200CA	A	DO-204AC	190.00	210.00	1	171.00	5	2.20	274.0	.51	.42	.37		
◆ P6KE200CA	333-P6KE200CA	A	DO-204AC	190.00	210.00	1	171.00	5	2.20	274.0	.69	.57	.51		
◆ P6KE220A	333-P6KE220A	A	DO-204AC	209.00	231.00	1	185.00	5	1.83	328.0	.76	.57	.48		
◆ P6KE220CA	603-P6KE220CA	A	DO-204AC	209.00	231.00	1	185.00	5	1.83	328.0	.76	.57	.48		
◆ P6KE220CA	333-P6KE220CA	A	DO-204AC	209.00	231.00	1	185.00	5	1.83	328.0	.76	.57	.48		
◆ P6KE220CA	603-P6KE220CA	A	DO-204AC	209.00	231.00	1	185.00	5	1.83	328.0	.76	.57	.48		
1500 Watt															
◆ 1.5KE6.8A	333-1.5KE6.8A	C	DO-201AD	6.45	7.14	10	5.80	1000	143.00	10.5	1.22	.92	.73		
◆ 1.5KE6.8CA	333-1.5KE6.8CA	C	DO-201AD	6.45	7.14	10	5.80	1000	143.00	10.5	1.22	.92	.73		
◆ 1.5KE7.5CA	333-1.5KE7.5CA	C	DO-201AD	7.13	7.88	10	6.40	500	132.00	11.3	1.22	.92	.73		
◆ 1.5KE8.2A	333-1.5KE8.2A	C	DO-201AD	7.79	8.00	10	7.02	200	124.00	12.1	1.22	.92	.73		
◆ 1.5KE8.2CA	333-1.5KE8.2CA	C	DO-201AD	7.79	8.00	10	7.02	200	124.00	12.1	1.22	.92	.73		
◆ 1.5KE9.1A	333-1.5KE9.1A	C	DO-201AD	8.65	9.55	1	7.78	50	112.00	13.4	1.22	.92	.73		
◆ 1.5KE10A	333-1.5KE10A	C	DO-201AD	9.50	10.50	1	8.55	10	103.00	14.5	1.15	.86	.72		
◆ 1.5KE10CA	610-1.5CE10CA	C	DO-201	9.50	10.50	1	8.55	10	103.00	14.5	1.15	.86	.72		
◆ 1.5KE12A	603-1.5KE12A	C	DO-201AD	11.40	12.60	1	10.20	5	90.00	16.7	1.15	.86	.72		
◆ 1.5KE12CA	610-1.5CE12CA	C	DO-201	11.40	12.60	1	10.20	5	90.00	16.7	1.15	.86	.72		
◆ 1.5KE13A	603-1.5KE13A	C	DO-201AD	12.40	13.70	1	11.10	5	82.00	18.2	1.15	.86	.72		
◆ 1.5KE13CA	610-1.5CE13CA	C	DO-201	12.40	13.70	1	11.10	5	82.00	18.2	1.15	.86	.72		
◆ 1.5KE15A	603-1.5KE15A	C	DO-201AD	14.30	15.80	1	12.80	5	71.00	21.2	1.15	.86	.72		
◆ 1.5KE18A	603-1.5KE18A	C	DO-201AD	17.10	18.90	1	15.30	5	59.50	25.5	1.15	.86	.72		
◆ 1.5KE18CA	603-1.5KE18CA	C	DO-201AD	17.10	18.90	1	15.30	5	59.50	25.5	1.15	.86	.72		
◆ 1.5KE20A	603-1.5KE20A	C	DO-201AD	19.00	21.00	1	17.10	5	54.00	27.7	1.15	.86	.72		
◆ 1.5KE20CA	610-1.5CE20CA	C	DO-201	19.00	21.00	1	17.10	5	54.00	27.7	1.15	.86	.72		
◆ 1.5KE24A	603-1.5KE24A	C	DO-201AD	22.80	25.20	1	20.50	5	45.00	33.2	1.15	.86	.72		
◆ 1.5KE24CA	610-1.5CE24CA	C	DO-201	22.80	25.20	1	20.50	5	45.00	33.2	1.15	.86	.72		
◆ 1.5KE27A	603-1.5KE27A	C	DO-201AD	25.70	28.40	1	23.10	5	40.00	37.5	1.15	.86	.72		
◆ 1.5KE27CA	610-1.5CE27CA	C	DO-201	25.70	28.40	1	23.10	5	40.00	37.5	1.15	.86	.72		
◆ 1.5KE30A	603-1.5KE30A	C	DO-201AD	28.50	31.50	1	25.60	5	36.00	41.4	1.15	.86	.72		
◆ 1.5KE30CA	603-1.5KE30CA	C	DO-201AD	28.50	31.50	1	25.60	5	36.00	41.4	1.15	.86	.72		
◆ 1.5KE33A	603-1.5KE33A	C	DO-201AD	31.40	34.70	1	28.20	5	33.00	45.7	1.15	.86	.72		
◆ 1.5KE33CA	603-1.5KE33CA	C	DO-201AD	31.40	34.70	1	28.20	5	33.00	45.7	1.15	.86	.72		
◆ 1.5KE36A	603-1.5KE36A	C	DO-201AD	34.20	37.80	1	30.80	5	30.00	49.9	1.15	.86	.72		
◆ 1.5KE36CA	603-1.5KE36CA	C	DO-201AD	34.20	37.80	1	30.80	5	30.00	49.9	1.15	.86	.72		
◆ 1.5KE39A	603-1.5KE39A	C	DO-201AD	37.10	41.00	1	33.30	5	28.00	53.9	1.15	.86	.72		
◆ 1.5KE39CA	610-1.5CE39CA	C	DO-201	37.10	41.00	1	33.30	5	28.00	53.9	1.15	.86	.72		
◆ 1.5KE51A	603-1.5KE51A	C	DO-201AD	48.50	53.60	1	43.60	5	21.40	70.1	1.15	.86	.72		
◆ 1.5KE51CA	610-1.5CE51CA	C	DO-201	48.50	53.60	1	43.60	5	21.40	70.1	1.15	.86	.72		
◆ 1.5KE68A	603-1.5KE68A	C	DO-201AD	64.60	71.40	1	58.10	5	16.30	92.0	1.15	.86	.72		
◆ 1.5KE68CA	610-1.5CE68CA	C	DO-201	64.60	71.40	1	58.10	5	16.30	92.0	1.15	.86	.72		
◆ 1.5KE100A	333-1.5KE100A	C	DO-201AD	95.00	105.00	1	85.50	5	11.00	137.0	1.15	.86	.72		
◆ 1.5KE100CA	603-1.5KE100CA	C	DO-201AD	95.00	105.00	1	85.50	5	11.00	137.0	1.15	.86	.72		
◆ 1.5KE150A	603-1.5KE150A	C	DO-201AD	143.00	158.00	1	128.00	5	7.20	207.0	1.15	.86	.72		
◆ 1.5KE150CA	333-1.5KE150CA	C	DO-201AD	143.00	158.00	1	128.00	5	7.20	207.0	1.15	.86	.72		
◆ 1.5KE150CA	603-1.5KE150CA</														

Zener Diodes

SURFACE MOUNT DEVICES

Zener Volts	MOUSER STOCK NO.						
	Case and Power Rating						
	SOT-23 200mW	SOT-23 200mW	SOT-23 300mW	SOT-23 400mW	LL-34 500mW	SM-1 1W	PSM 1W
2.0	-----	-----	-----	-----	-----	-----	592-PTZ252.0
2.2	-----	-----	-----	-----	-----	-----	592-PTZ252.2
2.4	-----	583-UZM5221B	-----	592-RSZ5221B	-----	-----	592-PTZ252.4
2.5	-----	583-UZM5222B	-----	592-RSZ5222B	-----	-----	-----
2.7	-----	583-UZM5223B	-----	592-RSZ5223B	-----	-----	592-PTZ252.7
2.8	-----	583-UZM5224B	-----	592-RSZ5224B	-----	-----	-----
3.0	-----	583-UZM5225B	-----	592-RSZ5225B	-----	-----	592-PTZ253.0
3.3	-----	583-UZM5226B	583-BZX84C3V3	592-RSZ5226B	-----	-----	592-PTZ253.3
3.6	-----	583-UZM5227B	583-BZX84C3V6	592-RSZ5227B	-----	-----	592-PTZ253.6
3.9	-----	583-UZM5228B	583-BZX84C3V9	592-RSZ5228B	-----	-----	592-PTZ253.9
4.3	-----	583-UZM5229B	583-BZX84C4V3	592-RSZ5229B	-----	333-ZM4730A	592-PTZ254.3
4.7	333-Z02W4.7V	583-UZM5230B	583-BZX84C4V7	592-RSZ5230B	592-RLZ5230B	333-ZM4731A	592-PTZ254.7
5.1	333-Z02W5.1V	583-UZM5231B	583-BZX84C5V1	592-RSZ5231B	592-RLZ5231B	333-ZM4732A	592-PTZ255.1
5.6	333-Z02W5.6V	583-UZM5232B	583-BZX84C5V6	592-RSZ5232B	592-RLZ5232B	333-ZM4733A	592-PTZ255.6
6.0	-----	583-UZM5233B	-----	592-RSZ5233B	592-RLZ5233B	333-ZM4734A	-----
6.2	-----	583-UZM5234B	583-BZX84C6V2	592-RSZ5234B	592-RLZ5234B	333-ZM4735A	592-PTZ256.2
6.8	333-Z02W6.8V	583-UZM5235B	583-BZX84C6V8	592-RSZ5235B	592-RLZ5235B	610-CLL4736A	592-PTZ256.8
7.5	-----	583-UZM5236B	583-BZX84C7V5	592-RSZ5236B	592-RLZ5236B	333-ZM4737A	592-PTZ257.5
8.2	333-Z02W8.2V	583-UZM5237B	583-BZX84C8V2	592-RSZ5237B	592-RLZ5237B	333-ZM4738A	592-PTZ258.2
8.7	-----	583-UZM5238B	-----	592-RSZ5238B	592-RLZ5238B	-----	-----
9.1	333-Z02W9.1V	583-UZM5239B	583-BZX84C9V1	592-RSZ5239B	592-RLZ5239B	333-ZM4739A	592-PTZ259.1
10.0	333-Z02W10V	583-UZM5240B	583-BZX84C10	592-RSZ5240B	592-RLZ5240B	333-ZM4740A	592-PTZ2510.0
11.0	333-Z02W11V	583-UZM5241B	583-BZX84C11	592-RSZ5241B	592-RLZ5241B	333-ZM4741A	592-PTZ2511.0
12.0	333-Z02W12V	583-UZM5242B	583-BZX84C12	592-RSZ5242B	592-RLZ5242B	333-ZM4742A	592-PTZ2512.0
13.0	333-Z02W13V	583-UZM5243B	583-BZX84C13	592-RSZ5243B	592-RLZ5243B	333-ZM4743A	592-PTZ2513.0
14.0	-----	583-UZM5244B	-----	592-RSZ5244B	592-RLZ5244B	-----	-----
15.0	333-Z02W15V	583-UZM5245B	583-BZX84C15	592-RSZ5245B	592-RLZ5245B	333-ZM4744A	592-PTZ2515.0
16.0	333-Z02W16V	583-UZM5246B	583-BZX84C16	592-RSZ5246B	592-RLZ5246B	333-ZM4745A	592-PTZ2516.0
17.0	-----	583-UZM5247B	-----	592-RSZ5247B	592-RLZ5247B	-----	-----
18.0	-----	583-UZM5248B	583-BZX84C18	592-RSZ5248B	592-RLZ5248B	333-ZM4746A	592-PTZ2518.0
19.0	-----	583-UZM5249B	-----	592-RSZ5249B	592-RLZ5249B	-----	-----
20.0	333-Z02W20V	583-UZM5250B	583-BZX84C20	592-RSZ5250B	592-RLZ5250B	333-ZM4747A	592-PTZ2520.0
22.0	333-Z02W22V	583-UZM5251B	583-BZX84C22	592-RSZ5251B	592-RLZ5251B	333-ZM4748A	592-PTZ2522.0
24.0	-----	583-UZM5252B	583-BZX84C24	592-RSZ5252B	592-RLZ5252B	333-ZM4749A	592-PTZ2524.0
25.0	-----	583-UZM5253B	-----	592-RSZ5253B	592-RLZ5253B	-----	-----
27.0	-----	583-UZM5254B	583-BZX84C27	592-RSZ5254B	592-RLZ5254B	333-ZM4750A	592-PTZ2527.0
28.0	-----	583-UZM5255B	-----	592-RSZ5255B	-----	-----	-----
30.0	-----	583-UZM5256B	583-BZX84C30	592-RSZ5256B	-----	333-ZM4751A	592-PTZ2530.0
33.0	-----	583-UZM5257B	583-BZX84C33	592-RSZ5257B	-----	333-ZM4752A	592-RSZ5200 Series
36.0	-----	583-UZM5258B	583-BZX84C36	592-RSZ5258B	-----	-----	592-RLZ5200 Series
39.0	-----	583-UZM5259B	583-BZX84C39	-----	-----	-----	592-PTZ2539 Series
43.0	-----	583-UZM5260B	583-BZX84C43	-----	-----	-----	592-PTZ2543 Series
47.0	-----	583-UZM5261B	583-BZX84C47	-----	-----	-----	-----

Manufacturer	Prefix
Central Semiconductor	610
EIC Semiconductor	603
EXL Semiconductor	333
Rectron	583
Rohm	592

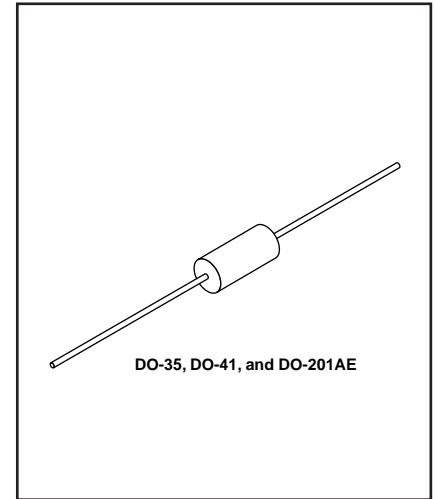


For quantities greater than listed, call for quote.

MOUSER STOCK NO.	Price Each			
	1	100	500	1000
333-Z02W Series	0.25	0.17	0.15	0.09
583-UZM5200 Series	0.30	0.23	0.17	0.13
583-BZX84C Series	0.33	0.25	0.19	0.14
592-RSZ5200 Series	0.27	0.16	0.14	0.10
592-RLZ5200 Series	0.22	0.13	0.12	0.08
333-ZM4700 Series	0.36	0.29	0.23	0.18
592-PTZ2500 Series	0.87	0.51	0.45	0.32
610-CLL4700 Series	0.36	0.29	0.23	0.18

AXIAL LEADS

Zener Volts	MOUSER STOCK NO.					
	Case and Power Rating					
	DO-35 400mW	DO-35 400mW	DO-35 400mW	DO-35 500mW	DO-41 1W	DO-201AE 5W
3.3	610-1N746A	-----	-----	583-1N5226B	583-1N4728A	-----
3.6	583-1N747A	-----	-----	583-1N5227B	583-1N4729A	-----
3.9	610-1N748A	-----	-----	583-1N5228B	583-1N4730A	610-1N5334B
4.3	610-1N749A	-----	-----	583-1N5229B	583-1N4731A	610-1N5335B
4.7	610-1N750A	-----	-----	583-1N5230B	583-1N4732A	333-1N5336B
5.1	610-1N751A	-----	-----	583-1N5231B	583-1N4733A	610-1N5337B
5.6	610-1N752A	-----	-----	583-1N5232B	583-1N4734A	-----
6.0	610-1N753A	-----	-----	583-1N5233B	-----	610-1N5339B
6.2	-----	-----	-----	583-1N5234B	583-1N4735A	610-1N5340B
6.8	610-1N754A	-----	-----	583-1N5235B	583-1N4736A	610-1N5341B
7.5	610-1N755A	-----	-----	583-1N5236B	583-1N4737A	610-1N5343B
8.2	583-1N756A	592-1N756A	592-1N959B	583-1N5237B	583-1N4738A	-----
8.7	-----	-----	-----	583-1N5238B	-----	333-1N5345B
9.1	610-1N757A	-----	-----	583-1N5239B	583-1N4739A	610-1N5346B
10.0	610-1N758A	-----	-----	583-1N5240B	583-1N4740A	610-1N5347B
11.0	-----	-----	-----	583-1N5241B	583-1N4741A	-----
12.0	610-1N759A	-----	592-1N963B	583-1N5242B	583-1N4742A	603-1N5349B
13.0	-----	-----	-----	583-1N5243B	583-1N4743A	603-1N5350B
14.0	-----	-----	-----	583-1N5244B	-----	-----
15.0	-----	-----	-----	583-1N5245B	583-1N4744A	603-1N5352B
16.0	-----	-----	592-1N966B	583-1N5246B	583-1N4745A	603-1N5353B
17.0	-----	-----	-----	583-1N5247B	-----	610-1N5354B
18.0	-----	-----	592-1N967B	583-1N5248B	583-1N4746A	603-1N5355B
19.0	-----	-----	-----	583-1N5249B	-----	603-1N5356B
20.0	-----	-----	-----	583-1N5250B	583-1N4747A	610-1N5357B
22.0	-----	-----	592-1N969B	583-1N5251B	583-1N4748A	603-1N5358B
24.0	-----	-----	592-1N970B	583-1N5252B	583-1N4749A	603-1N5359B
25.0	-----	-----	-----	583-1N5253B	-----	610-1N5360B
27.0	-----	-----	-----	583-1N5254B	583-1N4750A	603-1N5361B
28.0	-----	-----	-----	583-1N5255B	-----	-----
30.0	-----	-----	592-1N972B	583-1N5256B	583-1N4751A	-----
33.0	-----	-----	-----	583-1N5257B	583-1N4752A	-----
36.0	-----	-----	-----	583-1N5258B	583-1N4753A	-----
39.0	-----	-----	-----	583-1N5259B	583-1N4754A	-----
43.0	-----	-----	-----	583-1N5260B	583-1N4755A	-----
47.0	-----	-----	-----	583-1N5261B	583-1N4756A	-----
51.0	-----	-----	-----	583-1N5262B	583-1N4757A	-----
56.0	-----	-----	-----	583-1N5263B	-----	-----



For quantities greater than listed, call for quote.

MOUSER STOCK NO.	Price Each			
	1	100	500	1000
583-1N700 Series	0.18	0.14	0.10	.077
592-1N700 Series	0.15	0.10	0.065	.056
610-1N700 Series	0.18	0.14	0.10	.077
592-1N900 Series	0.15	0.10	0.065	.056
583-1N5200 Series	0.18	0.14	0.10	.077
592-1N5200 Series	0.19	0.14	0.11	.08
583-1N4700 Series	0.29	0.22	0.17	.13
333-1N5300 Series	0.52	0.47	0.42	.38
603-1N5300 Series	0.52	0.47	0.42	.38
610-1N5300 Series	0.52	0.47	0.42	.38

Signal Diodes and Rectifiers

Manufacturer	Prefix
AVG Semiconductor	605
Central Semiconductor	610
EIC Semiconductor	603
EXL Semiconductor	333

Manufacturer	Prefix
Harris Semiconductor	570
Rectron	583
Rohm	592

For quantities greater than listed, call for quote.

For quantities greater than listed, call for quote.

◆ Surface Mount Device
For quantities greater than listed, call for quote.

MOUSER NO.		Case Style	Description	Price Each
Mfr.	Industry No.			1-99
610	1N34A	DO-7	Germanium Diode	0.34
610	1N60	DO-7	Germanium Diode	0.30
610	1N270	DO-7	Germanium Diode	0.35
◆ 333	MMBD914	SOT-23	SMD Signal Diode	0.32
610	1N914	DO-35	Si Signal Diode	0.12
583	1N914B	DO-35	Si Signal Diode	0.07
◆ 583	SD3194	SOT-23	SMD Signal Diode	0.33
584	1N1183	DO-5	35 Amp 50V	2.71
584	1N1183A	DO-5	40 Amp 50V	2.98
584	1N1184	DO-5	35 Amp 100V	4.72
584	1N1184A	DO-5	40 Amp 100V	3.09
584	1N1186	DO-5	35 Amp 200V	2.91
584	1N1186A	DO-5	40 Amp 200V	4.86
584	1N1187	DO-5	35 Amp 300V	3.46
584	1N1187A	DO-5	40 Amp 300V	4.43
584	1N1188	DO-5	35 Amp 400V	3.62
584	1N1188A	DO-5	40 Amp 400V	4.34
584	1N1189	DO-5	35 Amp 500V	3.96
584	1N1190	DO-5	35 Amp 600V	4.75
584	1N1190A	DO-5	40 Amp 600V	4.75
584	1N1199A	DO-4	12 Amp 50V	2.59
584	1N1200A	DO-4	12 Amp 100V	2.59
584	1N1202A	DO-4	12 Amp 200V	2.59
584	1N1204A	DO-4	12 Amp 400V	2.62
584	1N1206A	DO-4	12 Amp 600V	2.89
584	1N1206RA	DO-4	12 Amp 600V	2.89
584	1N2129A	DO-5	60 Amp 100V	5.87
584	1N2131A	DO-5	60 Amp 200V	5.92
584	1N2135A	DO-5	60 Amp 400V	7.46
584	1N2138A	DO-5	60 Amp 600V	8.09
592	1N3064	DO-35	Si Signal Diode	0.12
584	1N3208	DO-5	15 Amp 50V	4.72
584	1N3209	DO-5	15 Amp 100V	4.72
584	1N3210	DO-5	15 Amp 200V	4.72
584	1N3212	DO-5	15 Amp 400V	3.34
584	1N3212R	DO-5	15 Amp 400V	3.34
570	1N3213	DO-5	15 Amp 500V	3.62
584	1N3213	DO-5	15 Amp 500V	3.62
584	1N3214	DO-5	15 Amp 600V	4.18
610	1N3600	DO-35	Signal Diode	0.12
592	1N3604	DO-35	Signal Diode	0.12
592	1N3605	DO-35	Signal Diode	0.12
584	1N3671A	DO-4	12 Amp 800V	4.66
584	1N3673A	DO-4	12 Amp 1000V	4.86
584	1N3673RA	DO-4	12 Amp 1000V	4.86
584	1N3766	DO-5	35 Amp 800V	7.80
◆ 592	RLR4001	LL-41	SMD 1A 50 PRV	0.25
◆ 592	RLR4002	LL-41	SMD 1A 100 PRV	0.25
◆ 592	RLR4003	LL-41	1 Amp 200 PRV	0.25
◆ 592	RLR4004	LL-41	SMD 1Amp 400 PRV	0.25
◆ 333	1N4148	DO-35	Si Signal Diode	0.14
583	1N4148	DO-35	Si Signal Diode	0.07
◆ 583	BAS16	SOT-23	SMD Signal Diode	0.33
605	1N4148	DO-35	Si Signal Diode	0.09
◆ 333	MMBD4148	SOT-23	SMD Signal Diode	0.33
◆ 592	RLS4148	LL-34	SMD Signal Diode	0.14
610	1N4150	DO-35	Si Signal Diode	0.12
◆ 592	RLS4150	LL-34	Si Signal Diode	0.14
583	1N4151	DO-35	Si Signal Diode	0.07
610	1N4152	DO-35	Si Signal Diode	0.14
592	1N4153	DO-35	Si Signal Diode	0.12
◆ 592	RLS4153	LL-34	SMD Signal Diode	0.14
592	1N4154	DO-35	Si Signal Diode	0.12
583	1N4448	DO-35	Si Signal Diode	0.07
◆ 333	MMBD4448	SOT-23	SMD Signal Diode	0.33
◆ 592	RLS4448	LL-34	SMD Signal Diode	0.14
583	1N4454	DO-35	Si Signal Diode	0.07
592	1N4454	DO-35	Si Signal Diode	0.12
592	1N4531	DO-34	Switching Diode	0.12
592	1N4533	DO-34	Switching Diode	0.12
592	1N4534	DO-34	Switching Diode	0.12
◆ 592	RLS4606	LL-34	SMD Signal Diode	0.14
603	1N4933	DO-41	1.0A 50V Rectifier	0.13
570	1N5061	DO-204AP	1 Amp 600V	0.37
570	1N5062	DO-204AP	1 Amp 800V	0.46
333	1N5283	DO-35	.22mA Current Reg	4.29
333	1N5284	DO-35	.24mA Current Reg	4.29
333	1N5285	DO-35	.27mA Current Reg	4.29
333	1N5286	DO-35	.30mA Current Reg	4.29
333	1N5288	DO-35	.39mA Current Reg	4.29
333	1N5289	DO-35	.43mA Current Reg	4.29
333	1N5290	DO-35	.47mA Current Reg	4.29
333	1N5291	DO-35	.56mA Current Reg	4.29
333	1N5292	DO-35	.62mA Current Reg	4.29
333	1N5293	DO-35	.68mA Current Reg	4.29
333	1N5294	DO-35	.75mA Current Reg	4.29
333	1N5295	DO-35	.82mA Current Reg	4.29
333	1N5296	DO-35	.91mA Current Reg	4.29
610	1N5297	DO-35	1.0mA Current Reg	4.29

MOUSER NO.		Case Style	Description	Price Each
Mfr.	Industry No.			1-99
333	1N5298	DO-35	1.1mA Current Reg	4.29
333	1N5299	DO-35	1.2mA Current Reg	4.29
333	1N5300	DO-35	1.3mA Current Reg	4.29
333	1N5301	DO-35	1.4mA Current Reg	4.29
610	1N5303	DO-35	1.6mA Current Reg	4.29
333	1N5304	DO-35	1.8mA Current Reg	4.29
333	1N5305	DO-35	2.0mA Current Reg	4.29
333	1N5306	DO-35	2.2mA Current Reg	4.29
333	1N5307	DO-35	2.4mA Current Reg	4.29
333	1N5308	DO-35	2.7mA Current Reg	4.29
333	1N5309	DO-35	3.0mA Current Reg	4.29
333	1N5310	DO-35	3.3mA Current Reg	4.29
333	1N5311	DO-35	3.6mA Current Reg	4.29
333	1N5312	DO-35	3.9mA Current Reg	4.29
610	1N5313	DO-35	4.3mA Current Reg	4.29
333	1N5314	DO-35	4.7mA Current Reg	4.29
603	1N5391	DO-41	1.5A 100V Rectifier	0.13
603	1N5392	DO-41	1.5A 100V Rectifier	0.13
603	1N5393	DO-41	1.5A 200V Rectifier	0.13
603	1N5394	DO-41	1.5A 300V Rectifier	0.14
603	1N5395	DO-41	1.5A 500V Rectifier	0.17
603	1N5398	DO-41	1.5A 800V Rectifier	0.20
603	1N5400	DO-41	3A 50V Rectifier	0.25
603	1N5401	DO-41	3A 100V Rectifier	0.25
603	1N5404	DO-41	3A 400V Rectifier	0.27
603	1N5406	DO-41	3A 600V Rectifier	0.31
603	1N5407	DO-41	3A 800V Rectifier	0.31
603	1N5408	DO-41	3A 1000V Rectifier	0.35
603	1N5409	DO-41	3A 50V Rectifier	0.39
610	1N5624	GPR-3A	3 Amp 200V	0.62
610	1N5625	GPR-3A	3 Amp 400V	0.64
570	1N5626	GE-4	3 Amp 600V	0.84
610	1N5627	GPR-3A	3 Amp 800V	0.95
511	1N5711	DO-35	15mA 70V Schottky	0.21
333	1N5817	DO-41	1 Amp 20V Schottky	0.44
333	1N5818	DO-41	1 Amp 30V Schottky	0.46
333	1N5819	DO-41	1 Amp 40V Schottky	0.47
333	1N5820	DO-201	3 Amp 20V Schottky	0.87
333	1N5821	DO-201	3 Amp 30V Schottky	0.91
333	1N5822	DO-201	3 Amp 40V Schottky	0.96
511	1N6263	DO-35	15mA 60V Schottky	0.25
584	16F20	DO-4	16 Amp 200V	4.57
584	16F80	DO-4	16 Amp 800V	18.51
584	40HF10	DO-5	40 Amp 100V	4.88
584	40HF20	DO-5	40 Amp 200V	3.32
584	40HF60	DO-5	40 Amp 600V	4.91
584	40HF100	DO-5	40 Amp 1000V	7.98
584	70HF40	DO-5	70 Amp 400V	7.56
584	70HF80	DO-5	70 Amp 800V	7.56
584	150K300V	DO-8	150 Amp 300V	18.40
584	150KR60A	DO-8	150 Amp 600V	19.63
570	A14P	DO-204AP	1 Amp 1000V	0.51
570	A114A	DO-204AP	1 Amp 100V	0.51
570	A114B	DO-204AP	1 Amp 200V	0.51
570	A115D	GE-3	3 Amp 400V	1.12
570	A115M	GE-3	3 Amp 600V	1.27
◆ 511	BAR43CFILM	SOT-23	100mA Schottky	0.41
◆ 511	BAR43FILM	SOT-23	100mA Schottky	0.37
◆ 511	BAR43SFILM	SOT-23	100mA Schottky	0.41
◆ 511	BAS16	SOT-23	Silicon Signal	0.33
◆ 511	BAS19	SOT-23	Silicon Signal	0.38
◆ 511	BAS20	SOT-23	Silicon Signal	0.38
◆ 511	BAS21	SOT-23	Silicon Signal	0.38
◆ 511	BAS70-04FILM	SOT-23	15mA 70V Schottky	0.55
511	BAT42	DO-35	200mA 40V Schottky	0.16
511	BAT49	DO-41	500mA 80V Schottky	0.55
511	BYT261PIV-400	ISOTOP	2x60A 400V Rect	39.42
◆ 511	BYT30P-400	SOD-93	30A 400V Rect	5.93
◆ 511	BYT60P-400	SOD-93	60A 400V Rect	9.91
511	BYV255V-200	ISOTOP	2x100A 200V Rect	52.19
511	BYV45V-200	ISOTOP	2x50A 200V Rect	27.60
511	BYW29-200	TO-200AC	8A 200V Rect	0.90
◆ 511	BYW4200B	TO-251	4A 200V Rect	1.89
511	BYW51-200	TO-200AB	2x10A 200V Rect	1.47
◆ 511	BYW99P-200	SOT-93	2x15A 200V Rect	1.51
511	BYW99W-200	TO-247	2x15A 200V Rect	5.52
◆ 592	DA106K	SOT-23	Single Diode Array	0.42
◆ 592	DA112	SOT-323	Single Diode Array	0.26
◆ 592	DA113	SOT-323	Single Diode Array	0.26
◆ 592	DA114	SOT-323	Single Diode Array	0.26
◆ 592	DA115	SOT-323	Single Diode Array	0.26
◆ 592	DA116	SOT-323	Single Diode Array	0.26
◆ 592	DA118	SOT-23	Single Diode Array	0.20
◆ 592	DA119	SOT-23	Single Diode Array	0.20
◆ 592	DA120	EM3	Single Diode Array	0.26
◆ 592	DA121	EM3	Single Diode Array	0.26
◆ 592	DA204K	SOT-23	Dual Diode Array	0.26
◆ 592	DA204U	SOT-323	Dual Diode Array	0.39
◆ 592	DA223K	SOT-23	Dual Diode Array	0.26

MOUSER NO.		Case Style	Description	Price Each
Mfr.	Industry No.			1-99
◆ 592	DAN202C	SOT-23	Dual Diode Array	0.19
◆ 592	DAN202K	SOT-23	Dual Diode Array	0.20
◆ 592	DAN202U	SOT-323	Dual Diode Array	0.27
◆ 592	DAN212C	SOT-23	Single Diode Array	0.20
◆ 592	DAN212K	SOT-23	Single Diode Array	0.22
◆ 592	DAN217	SOT-23	Dual Diode Array	0.23
◆ 592	DAN217C	SOT-23	Dual Diode Array	0.22
◆ 592	DAN235K	SOT-23	Dual Diode Array	0.50
◆ 592	DAP202C	SOT-23	Dual Diode Array	0.50
◆ 592	DAP202K	SOT-23	Dual Diode Array	0.20
◆ 592	DAP202U	SOT-323	Dual Diode Array	0.28
◆ 592	DAP236K	SOT-23	Dual Diode Array	0.56
◆ 592	DAP236U	SOT-323	Dual Diode Array	0.50
◆ 592	RB110C	SOT-89	40V Schottky Barrier	0.75
◆ 592	RB111C	SOT-23	40V Schottky Barrier	0.82
◆ 592	RB400D	SOT-23	20V Schottky Barrier	0.92
◆ 592	RB411D	SOT-23	20V Schottky Barrier	0.64
◆ 592	RB420D	SOT-23	25V Schottky Barrier	0.50
◆ 592	RB421D	SOT-23	20V Schottky Barrier	0.50
◆ 592	RB425D	SOT-23	20V Schottky Barrier	0.49
◆ 592	RB435C	SOT-89	20V Schottky Barrier	0.91
◆ 592	RB705D	SOT-23	25V Schottky Barrier	0.67
◆ 592	RLR4001	LL-41	1 Amp 50V 1N4001	0.25
◆ 592	RLR4002	LL-41	1 Amp 100V 1N4002	0.25
◆ 592	RLR4003	LL-41	1 Amp 200V 1N4003	0.25
◆ 592	RLR4004	LL-41	1 Amp 400V 1N4004	0.25
◆ 592	RLS73	LL-34	110mA 40V Switch	0.16
◆ 592	RLS92	LL-34	200mA 65V Switch	0.15
◆ 592	RLS93	LL-34	200mA 55V Switch	0.15
◆ 592	RLS94	LL-34	200mA 40V Switch	0.15
◆ 592	RLS135	LL-34	100mA 35V Switch	0.20
◆ 592	RLS139	LL-34	130mA 80V Switch	0.14
◆ 592	RLS140	LL-34	120mA 55V Switch	0.14
◆ 592	RLS141	LL-34	110mA 40V Switch	0.14
◆ 592	RLS245	LL-34	200mA 220V Switch	0.14
◆ 592	RLS4148	LL-34	150mA 75V Switch	0.14
◆ 592	RLS4150	LL-34	200mA 50V Switch	0.14
◆ 592	RLS4153	LL-34	150mA 50V Switch	0.14
◆ 592	RLS4448	LL-34	150mA 75V Switch	0.14
◆ 592	RLS4606	LL-34	200mA 70V Switch	0.14
◆ 511	SBMYW01-200	SOD		

◆ Surface Mount Device

SILICON

Specifications:

- Operating temp.: -65°C to +175°C
- Storage temp.: -65°C to +175°C

NEW!

For quantities greater than listed, call for quote.

MOUSER STOCK NO.	Fig.	PRV (V)	IFM (Surge) (A)	Price Each		
				1	100	500
1.0 Amp						
583-1N4001	A	50	30	.07	.057	.043
583-1N4002	A	100	30	.07	.057	.043
583-1N4003	A	200	30	.08	.059	.044
583-1N4004	A	400	30	.08	.063	.047
583-1N4005	A	600	30	.09	.07	.053
583-1N4006	A	800	30	.10	.076	.057
583-1N4007	A	1000	30	.11	.081	.061
1.5 Amp						
583-1N5391	B	50	50	.16	.12	.087
583-1N5392	B	100	50	.16	.12	.090
583-1N5393	B	200	50	.16	.12	.093
583-1N5394	B	300	50	.17	.13	.10
583-1N5395	B	400	50	.18	.14	.11
583-1N5396	B	500	50	.20	.15	.11
583-1N5397	B	600	50	.21	.16	.12
583-1N5398	B	800	50	.23	.18	.13
583-1N5399	B	1000	50	.26	.20	.15
583-RL151	B	50	60	.16	.12	.090
583-RL152	B	100	60	.17	.13	.10
583-RL153	B	200	60	.18	.14	.10
583-RL154	B	400	60	.19	.14	.11
583-RL155	B	600	60	.21	.16	.12
583-RL156	B	800	60	.23	.18	.13
583-RL157	B	1000	60	.25	.19	.14
2.0 Amp						
583-RL201	B	50	70	.20	.15	.11
583-RL202	B	100	70	.22	.17	.13
583-RL203	B	200	70	.23	.18	.14
583-RL204	B	400	70	.26	.20	.15
583-RL205	B	600	70	.30	.23	.17
583-RL206	B	800	70	.34	.26	.20
583-RL207	B	1000	70	.38	.29	.22
2.5 Amp						
583-RL251	C	50	150	.31	.24	.18
583-RL252	C	100	150	.34	.26	.19
583-RL253	C	200	150	.35	.27	.20
583-RL254	C	400	150	.36	.28	.21
583-RL255	C	600	150	.40	.31	.23
583-RL256	C	800	150	.44	.34	.26
583-RL257	C	1000	150	.53	.41	.30
3.0 Amp						
583-1N5400	D	50	200	.31	.24	.18
583-1N5401	D	100	200	.31	.24	.18
583-1N5402	D	200	200	.31	.24	.18
583-1N5404	D	400	200	.32	.25	.18
583-1N5406	D	600	200	.37	.29	.22
583-1N5407	D	800	200	.37	.29	.22
583-1N5408	D	1000	200	.41	.31	.23
6.0 Amp						
583-6A05	E	50	400	.80	.61	.45
583-6A1	E	100	400	.84	.65	.46
583-6A2	E	200	400	.84	.65	.48
583-6A4	E	400	400	.90	.69	.52
583-6A6	E	600	400	1.07	.83	.62
583-6A8	E	800	400	1.23	.95	.71
583-6A10	E	1000	400	1.48	1.14	.85
8.0 Amp						
583-RL801	F	50	200	3.85	2.96	2.22
583-RL802	F	100	200	3.94	3.03	2.27
583-RL803	F	200	200	4.06	3.12	2.34
583-RL804	F	400	200	4.34	3.34	2.50
583-RL805	F	600	200	4.78	3.68	2.76
583-RL806	F	800	200	5.86	4.51	3.38
16.0 Amp						
583-RL1601C	G	50	200	6.68	5.14	3.85
583-RL1602C	G	100	200	7.06	5.43	4.07
583-RL1603C	G	200	200	7.44	5.72	4.29
583-RL1604C	G	400	200	8.18	6.29	4.72
583-RL1605C	G	600	200	9.54	7.34	5.51
583-RL1606C	G	800	200	10.91	8.39	6.29

HIGH VOLTAGE

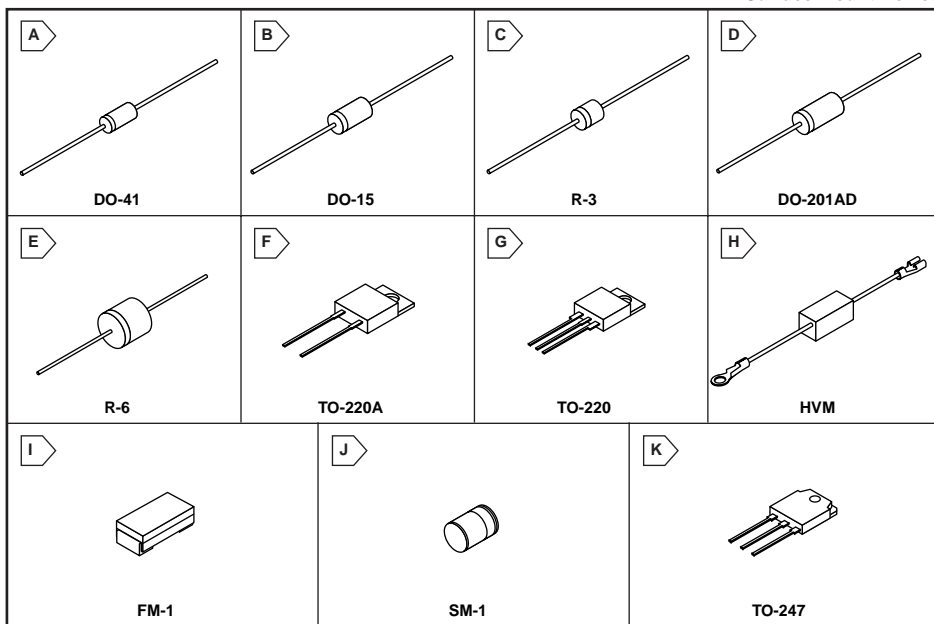
Specifications:

- Operating temp.: -65°C to +175°C
- Storage temp.: -65°C to +175°C

NEW!

For quantities greater than listed, call for quote.

MOUSER STOCK NO.	Fig.	PRV (V)	IFM (Surge) (A)	Price Each		
				1	100	500
.20 Amp						
583-R2000	A	2000	30	.41	.32	.24
.35 Amp						
583-HVM10	H	10000	50	7.31	5.62	4.22
583-HVM14	H	14000	50	9.16	7.05	5.29
583-HVM16	H	16000	50	10.32	7.94	5.95



HIGH VOLTAGE (cont.)

Specifications:

- Operating temp.: -65°C to +175°C
- Storage temp.: -65°C to +175°C

For quantities greater than listed, call for quote.

MOUSER STOCK NO.	Fig.	PRV (V)	IFM (Surge) (A)	Price Each		
				1	100	500
.50 Amp						
583-R1500	A	1500	30	.33	.25	.19
.20 Amp Fast Recovery						
583-R2000F	A	2000	30	.67	.52	.39
.50 Amp Fast Recovery						
583-R1500F	A	1500	30	.54	.41	.31

GLASS PASSIVATED

Specifications:

- Operating temp.: -65°C to +175°C
- Storage temp.: -65°C to +175°C

For quantities greater than listed, call for quote.

MOUSER STOCK NO.	Fig.	PRV (V)	IFM (Surge) (A)	Price Each		
				1	100	500
1.0 Amp						
583-1N4001G	A	50	30	.17	.13	.10
583-FM4001	I	50	30	.32	.25	.19
583-SM4001	J	50	30	.27	.21	.16
583-1N4002G	A	100	30	.17	.13	.10
583-FM4002	I	100	30	.34	.26	.20
583-SM4002	J	100	30	.30	.23	.17
583-1N4003G	A	200	30	.19	.14	.11
583-FM4003	I	200	30	.36	.28	.21
583-SM4003	J	200	30	.31	.24	.18
583-1N4004G	A	400	30	.20	.15	.11
583-FM4004	I	400	30	.38	.30	.22
583-SM4004	J	400	30	.35	.27	.20
583-1N4005G	A	600	30	.21	.16	.12
583-FM4005	I	600	30	.49	.38	.29
583-SM4005	J	600	30	.38	.29	.22
583-1N4006G	A	800	30	.25	.19	.14
583-FM4006	I	800	30	.57	.44	.33
583-SM4006	J	800	30	.48	.37	.28
583-1N4007G	A	1000	30	.29	.23	.17
583-FM4007	I	1000	30	.65	.50	.37
583-SM4007	J	1000	30	.53	.41	.31
2.0 Amp						
583-RL201G	B	50	70	.31	.24	.18
583-RL202G	B	100	70	.35	.27	.20
583-RL203G	B	200	70	.37	.29	.22
583-RL204G	B	400	70	.40	.31	.23
583-RL205G	B	600	70	.46	.36	.27
583-RL206G	B	800	70	.53	.41	.31
583-RL207G	B	1000	70	.61	.47	.35
3.0 Amp						
583-1N5400G	D	50	200	.66	.51	.38
583-1N5401G	D	100	200	.69	.53	.40
583-1N5402G	D	200	200	.73	.57	.42
583-1N5404G	D	400	200	.79	.61	.46
583-1N5406G	D	600	200	.85	.66	.49
583-1N5407G	D	800	200	.89	.69	.52
583-1N5408G	D	1000	200	.94	.72	.54

HIGH EFFICIENCY

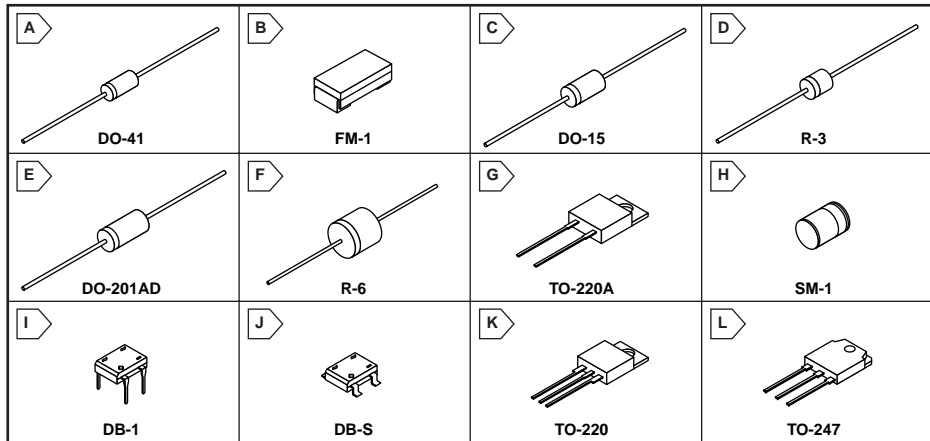
Specifications:

- Operating temperature: -65°C to +150°C
- Storage temperature: -65°C to +150°C

For quantities greater than listed, call for quote.

MOUSER STOCK NO.	Fig.	PRV (V)	IFM (Surge) (A)	Price Each		
				1	100	500
1.0 Amp						
583-HER101	A	50	30	.27	.21	.16
583-HER102	A	100	30	.31	.24	.18
583-HER103	A	200	30	.34	.26	.19
583-HER104	A	300	30	.38	.29	.22
583-HER105	A	400	30	.46	.35	.26
583-HER106	A	600	30	.53	.41	.31
583-HER107	A	800	30	.66	.51	.38
583-HER108	A	1000	30	.86	.66	.49
2.0 Amp						
583-HER201	B	50	60	.51	.39	.30
583-HER202	B	100	60	.53	.41	.31
583-HER203	B	200	60	.55	.42	.31
583-HER204	B	300	60	.57	.44	.33
583-HER205	B	400	60	.68	.52	.39
583-HER206	B	600	60	.74	.57	.43
583-HER207	B	800	60	.90	.69	.52
583-HER208	B	1000	60	1.03	.79	.59
3.0 Amp						
583-HER301	D	50	200	.72	.55	.42
583-HER302	D	100	200	.78	.60	.45
583-HER303	D	200	200	.86	.66	.50
583-HER304	D	300	200	.94	.72	.54
583-HER305	D	400	200	1.07	.90	.61
583-HER306	D	600	150	1.17	.90	.68
583-HER307	D	800	150	1.29	.99	.74
583-HER308	D	1000	150	1.42	1.09	.81
5.0 Amp						
583-HER501	D	50	200	.99	.76	.57
583-HER502	D	100	200	1.07	.82	.62
583-HER503	D	200	200	1.17	.90	.68
583-HER504	D	300	200	1.27	.98	.74
583-HER505	D	400	200	1.44	1.11	.83
583-HER506	D	600	150	1.60	1.23	.92
583-HER507	D	800	150	1.76	1.35	1.02
583-HER508	D	1000	150	1.91	1.47	1.10
8.0 Amp						
583-HER801	F	50	200	4.82	3.71	2.79
583-HER802	F	100	200</			

Surface Mount Device



FAST RECOVERY

Specifications:

Operating temp.: -65°C to +150°C • Storage temp.: -65°C to +150°C

For quantities greater than listed, call for quote.

MOUSER STOCK NO.	Fig.	PRV (V)	T _{rr} (ns)	Price Each		
				1	100	500
1.0 Amp						
583-FR101	A	50	150	.17	.13	.10
583-FFM101	B	50	150	.51	.39	.29
583-FR102	A	100	150	.18	.14	.11
583-FFM102	B	100	150	.54	.42	.31
583-FR103	A	200	150	.20	.15	.11
583-FFM103	B	200	150	.59	.46	.34
583-FR104	A	400	150	.21	.16	.12
583-FFM104	B	400	150	.68	.52	.39
583-FR105	A	600	250	.23	.18	.14
583-FFM105	B	600	250	.78	.60	.45
583-FR106	A	800	500	.29	.22	.16
583-FR107	A	1000	500	.31	.24	.18
583-1N4933	A	50	200	.15	.12	.09
583-1N4934	A	100	200	.17	.13	.10
583-1N4935	A	200	200	.18	.14	.11
583-1N4936	A	400	200	.19	.15	.11
583-1N4937	A	600	200	.21	.17	.12
583-1N4942	A	200	150	.19	.15	.11
583-1N4944	A	400	150	.20	.16	.12
583-1N4946	A	600	250	.21	.17	.12
583-1N4947	A	800	250	.23	.18	.13
583-1N4948	A	1000	500	.29	.22	.17
1.5 Amp						
583-FR151	C	50	150	.23	.18	.13
583-FR152	C	100	150	.25	.19	.14
583-FR153	C	200	150	.27	.21	.15
583-FR154	C	400	150	.29	.22	.17
583-FR155	C	600	250	.32	.24	.18
583-FR156	C	800	500	.35	.27	.20
583-FR157	C	1000	500	.37	.29	.22
2.0 Amp						
583-FR201	C	50	150	.34	.26	.19
583-FR202	C	100	150	.35	.27	.21
583-FR203	C	200	150	.38	.29	.22
583-FR204	C	400	150	.39	.30	.23
583-FR205	C	600	250	.46	.35	.26
583-FR206	C	800	500	.49	.38	.29
583-FR207	C	1000	500	.59	.45	.34
2.5 Amp						
583-FR251	D	50	150	.44	.34	.26
583-FR252	D	100	150	.47	.36	.27
583-FR253	D	200	150	.51	.40	.30
583-FR254	D	400	150	.55	.43	.32
583-FR255	D	600	250	.61	.47	.35
583-FR256	D	800	500	.69	.53	.40
583-FR257	D	1000	500	.79	.61	.46
3.0 Amp						
583-FR301	E	50	150	.49	.38	.28
583-FR302	E	100	150	.52	.40	.30
583-FR303	E	200	150	.55	.43	.32
583-FR304	E	400	150	.59	.45	.34
583-FR305	E	600	250	.64	.50	.37
583-FR306	E	800	500	.73	.56	.42
583-FR307	E	1000	500	.80	.62	.46
6.0 Amp						
583-FR601	F	50	150	1.50	1.16	.87
583-FR602	F	100	150	1.60	1.23	.92
583-FR603	F	200	150	1.69	1.30	.98
583-FR604	F	400	150	1.79	1.38	1.03
583-FR605	F	600	250	1.99	1.53	1.15
583-FR606	F	800	500	2.19	1.69	1.27
583-FR607	F	1000	500	2.41	1.86	1.39

FAST RECOVERY (cont.)

Operating temp.: -65°C to +150°C • Storage temp.: -65°C to +150°C

MOUSER STOCK NO.	Fig.	PRV (V)	T _{rr} (ns)	Price Each		
				1	100	500
8.0 Amp						
583-FR801	G	50	150	4.54	3.49	2.62
583-FR802	G	100	150	4.83	3.72	2.79
583-FR803	G	200	150	5.14	3.95	2.96
583-FR804	G	400	150	5.42	4.17	3.13
583-FR805	G	600	250	6.12	4.71	3.53

FAST RECOVERY, GLASS PASSIVATED

Operating temp.: -65°C to +150°C • Storage temp.: -65°C to +150°C

MOUSER STOCK NO.	Fig.	PRV (V)	T _{rr} (ns)	Price Each		
				1	100	500
1.0 Amp						
583-FR101G	A	50	150	.31	.24	.18
583-FR102G	A	100	150	.33	.26	.19
583-FR103G	A	200	150	.35	.27	.21
583-FR104G	A	400	150	.37	.29	.22
583-FR105G	A	600	250	.40	.31	.23
583-FR106G	A	800	500	.42	.33	.25
583-FR107G	A	1000	500	.46	.36	.27
583-1N4933G	A	50	200	.32	.25	.19
583-FM4933	B	50	200	.53	.41	.31
583-SM4933	H	50	200	.46	.35	.27
583-1N4934G	A	100	200	.35	.27	.20
583-FM4934	B	100	200	.49	.38	.28
583-SM4934	H	100	200	.49	.38	.28
583-1N4935G	A	200	200	.35	.27	.21
583-FM4935	B	200	200	.54	.42	.31
583-SM4935	H	200	200	.53	.41	.31
583-1N4936G	A	400	200	.39	.30	.23
583-FR4936	B	400	200	.65	.50	.37
583-SM4936	H	400	200	.65	.50	.37
583-1N4937G	A	600	200	.45	.35	.26
583-FM4937	B	600	200	.72	.55	.41
583-SM4937	H	600	200	.72	.55	.41
3.0 Amp						
583-FR301G	E	50	150	.82	.63	.47
583-FR302G	E	100	150	.89	.69	.52
583-FR303G	E	200	150	.96	.74	.55
583-FR304G	E	400	150	1.01	.78	.58
583-FR305G	E	600	250	1.14	.88	.66
583-FR306G	E	800	500	1.25	.96	.72
583-FR307G	E	1000	500	1.41	1.08	.81

SUPER FAST RECOVERY

Operating temp.: -65°C to +150°C • Storage temp.: -65°C to +150°C

For quantities greater than listed, call for quote.

MOUSER STOCK NO.	Fig.	PRV (V)	T _{rr} (ns)	Price Each		
				1	100	500
1.0 Amp						
583-SF11	A	50	35	.57	.44	.33
583-EFM101	B	50	30	.87	.67	.50
583-SF12	A	100	35	.59	.45	.34
583-EFM102	B	100	30	.94	.72	.54
583-SF14	A	200	35	.65	.50	.38
583-EFM104	B	200	30	1.05	.81	.61
583-SF15	A	300	35	.82	.63	.47
583-EFM105	B	300	30	1.26	.97	.73
583-SF16	A	400	35	.91	.70	.52
583-EFM106	B	400	30	1.34	1.03	.77
583-EDB101	I	50	30	2.37	1.82	1.36
583-EDB101S	J	50	30	2.47	1.90	1.43
583-EDB102	J	100	30	2.54	1.95	1.46
583-EDB102S	J	100	30	2.65	2.04	1.53
583-EDB104	I	200	30	2.87	2.21	1.66
583-EDB104S	J	200	30	2.99	2.30	1.72

SUPER FAST RECOVERY (cont.)

Operating temp.: -65°C to +150°C • Storage temp.: -65°C to +150°C

For quantities greater than listed, call for quote.

MOUSER STOCK NO.	Fig.	PRV (V)	T _{rr} (ns)	Price Each		
				1	100	500
1.0 Amp						
583-EDB105	I	300	30	3.34	2.57	1.93
583-EDB105S	J	300	30	3.46	2.66	1.99
2.0 Amp						
583-SF21	C	50	35	.75	.58	.44
583-SF22	C	100	35	.79	.61	.46
583-SF24	C	200	35	.87	.67	.50
583-SF25	C	300	35	1.05	.81	.61
583-SF26	C	400	35	1.24	.95	.71
3.0 Amp						
583-SF31	E	50	35	2.15	1.66	1.24
583-SF32	E	100	35	2.22	1.70	1.28
583-SF34	E	200	35	2.36	1.82	1.36
583-SF35	E	300	35	2.83	2.18	1.63
583-SF36	E	400	35	3.30	2.54	1.91
5.0 Amp						
583-SF51	E	50	35	2.66	2.05	1.54
583-SF52	E	100	35	2.75	2.11	1.59
583-SF54	E	200	35	2.92	2.25	1.68
583-SF55	E	300	35	3.50	2.70	2.02
583-SF56	E	400	35	4.09	3.15	2.36
8.0 Amp						
583-SF81	G	50	35	4.36	3.35	2.51
583-SF82	G	100	35	4.42	3.40	2.55
583-SF84	G	200	35	4.58	3.52	2.64
583-SF85	G	300	50	6.68	5.14	3.86
583-SF86	G	400	50	8.80	6.77	5.08
16.0 Amp						
583-SF161C	K	50	35	7.84	6.03	4.52
583-SF162C	K	100	35	7.96	6.12	4.59
583-SF164C	K	200	35	8.23	6.33	4.75
583-SF166C	K	400	35	10.62	8.17	6.13
30.0 Amp						
583-SF301C	L	50	35	12.19	9.38	7.03
583-SF302C	L	100	35	12.95	9.96	7.47
583-SF304C	L	200	35	14.63	11.25	8.44

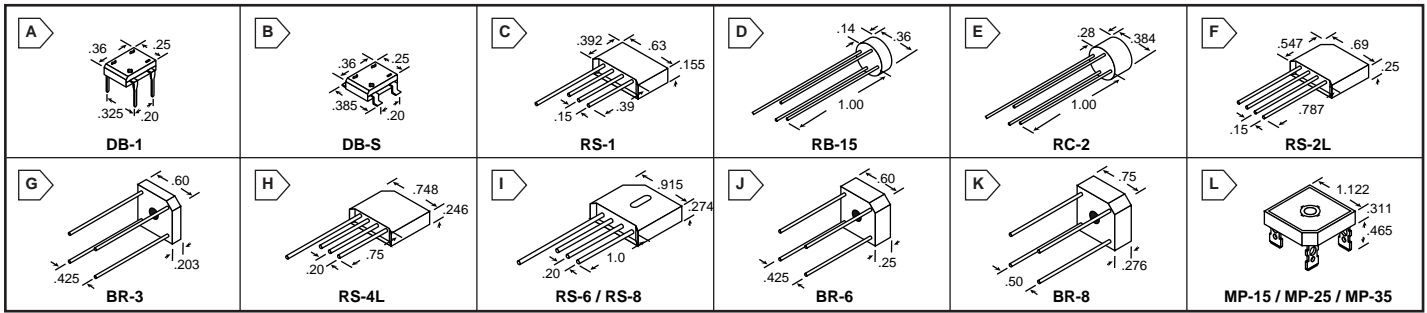
SCHOTTKY BARRIER

Operating temp.: -65°C to +125°C • Storage temp.: -65°C to +150°C

For quantities greater than listed, call for quote.

MOUSER STOCK NO.	Fig.	PRV (V)	T _{rr} (ns)	Price Each		
				1	100	500
1.0 Amp						
583-1N5817	A	20	25	.58	.45	.34
583-FM5817	B	20	25	1.17	.90	.68
583-1N5818	A	30	25	.60	.46	.35
583-FM5818	B	30	25	1.06	.82	.61
583-1N5819	A	40	25	.62	.47	.37
583-FM5819	B	40	25	.97	.75	.56
583-SR120	A	20	40	.58	.45	.34
583-SR130	A	30	40	.62	.47	.36
583-SR140	A	40	40	.62	.47	.36
583-SR150	A	50	40	.77	.59	.44
583-SR160	A	60	40	.88	.68	.51
3.0 Amp						
583-1N5820	E	20	80	1.36	1.05	.79
583-1N5821	E	30	80	1.36	1.05	.79
583-1N5822	E	40	80	1.36	1.05	.79
583-SR320	E	20	150	1.35	1.04	.78
583-SR330	E	30	150	1.35	1.04	.78
583-SR340	E	40	150	1.35	1.04	.78
583-SR350	E	50	150	1.42	1.09	.82
583-SR360	E	60	150	1.74	1.34	1.00
5.0 Amp						
583-SR520	E	20	150	2.47	1.90	1.43
583-SR530	E	30	150	2.58	1.98	1.49
583-SR540	E	40	150	2.58	1.98	1.49
583-SR550	E	50	150	2.79	2.15	1.61
583-SR560	E	60	150	3.00	2.81	1.73
8.0 Amp						
583-SR820						

Bridge Rectifiers



RECTRON BRIDGE RECTIFIERS

*UL File No. 94233

1.0 Amp ♦ Surface Mount Device

MOUSER STOCK NO.	Fig.	PRV (V)	IFM (Surge) (A)	Price Each		
				1	100	500
* 583-DB101	A	50	50	.94	.72	.54
♦ 583-DB101S	B	50	50	1.13	.87	.65
* 583-DB102	A	100	50	.99	.76	.57
♦ 583-DB102S	B	100	50	1.24	.95	.71
* 583-DB103	A	200	50	1.09	.84	.63
♦ 583-DB103S	B	200	50	1.29	.99	.74
* 583-DB104	A	400	50	1.13	.87	.65
♦ 583-DB104S	B	400	50	1.33	1.02	.77
* 583-DB105	A	600	50	1.30	1.00	.75
♦ 583-DB105S	B	600	50	1.46	1.12	.84
* 583-DB106	A	800	50	1.54	1.19	.89
♦ 583-DB106S	B	800	50	1.87	1.44	1.08
* 583-DB107	A	1000	50	1.76	1.36	1.02
♦ 583-DB107S	B	1000	50	2.15	1.65	1.24
* 583-RS101	C	50	30	1.15	.88	.66
* 583-RS102	C	100	30	1.19	.91	.69
* 583-RS103	C	200	30	1.24	.95	.72
* 583-RS104	C	400	30	1.30	1.00	.75
* 583-RS105	C	600	30	1.35	1.04	.78
* 583-RS106	C	800	30	1.48	1.14	.85
* 583-MDA100G	C	50	30	1.11	.85	.63
* 583-MDA101G	C	100	30	1.13	.87	.66
* 583-MDA102G	C	200	30	1.20	.92	.69
* 583-MDA104G	C	400	30	1.46	1.12	.84
* 583-MDA106G	C	600	30	1.51	1.16	.87
* 583-MDA108G	C	800	30	1.74	1.34	1.01

1.5 Amp

MOUSER STOCK NO.	Fig.	PRV (V)	IFM (Surge) (A)	1	100	500
* 583-RB151	D	50	50	.81	.62	.47
* 583-RB152	D	100	50	.83	.64	.48
* 583-RB153	D	200	50	.87	.67	.50
* 583-RB154	D	400	50	.92	.71	.53
* 583-RB155	D	600	50	1.12	.86	.65
* 583-RB156	D	800	50	1.18	.91	.68
* 583-RB157	D	1000	50	1.35	1.04	.78

2.0 Amp

MOUSER STOCK NO.	Fig.	PRV (V)	IFM (Surge) (A)	1	100	500
* 583-RC201	E	50	60	.99	.76	.57
* 583-RC202	E	100	60	1.03	.79	.59
* 583-RC203	E	200	60	1.05	.81	.61
* 583-RC204	E	400	60	1.09	.84	.63
* 583-RC205	E	600	60	1.25	.96	.72
* 583-RC206	E	800	60	1.42	1.09	.82
* 583-RS201L	F	50	60	1.31	1.01	.76
* 583-RS202L	F	100	60	1.34	1.03	.77
* 583-RS203L	F	200	60	1.38	1.06	.80
* 583-RS204L	F	400	60	1.42	1.09	.82
* 583-RS205L	F	600	60	1.53	1.18	.88
* 583-RS206L	F	800	60	1.61	1.24	.93
* 583-RS207L	F	1000	60	1.69	1.30	.97
* 583-MDA200G	C	50	50	1.26	.97	.73
* 583-MDA201G	C	100	50	1.31	1.01	.75
* 583-MDA202G	C	200	50	1.38	1.06	.79
* 583-MDA204G	C	400	50	1.44	1.11	.83
* 583-MDA206G	C	600	50	1.59	1.22	.91
* 583-MDA208G	C	800	50	1.73	1.33	.99
* 583-MDA210G	C	1000	50	1.87	1.44	1.08

3.0 Amp

MOUSER STOCK NO.	Fig.	PRV (V)	IFM (Surge) (A)	Price Each		
				1	100	500
* 583-BR305	G	50	50	1.23	.95	.71
* 583-BR31	G	100	50	1.28	.98	.74
* 583-BR32	G	200	50	1.38	1.06	.80
* 583-BR34	G	400	50	1.43	1.10	.83
* 583-BR36	G	600	50	1.53	1.18	.88
* 583-BR38	G	800	50	1.78	1.37	1.02
* 583-BR310	G	1000	50	1.92	1.48	1.11

4.0 Amp For quantities greater than listed, call for quote.

MOUSER STOCK NO.	Fig.	PRV (V)	IFM (Surge) (A)	Price Each		
				1	100	500
* 583-RS401L	H	50	200	2.29	1.76	
* 583-RS402L	H	100	200	2.34	1.80	
* 583-RS403L	H	200	200	2.54	1.95	
* 583-RS404L	H	400	200	2.59	1.99	
* 583-RS405L	H	600	200	2.81	2.16	
* 583-RS406L	H	800	200	3.39	2.61	
* 583-RS407L	H	1000	200	3.86	2.99	
* 583-MDA970G1	H	50	200	2.37	1.82	
* 583-MDA970G2	H	100	200	2.50	1.92	
* 583-MDA970G3	H	200	200	2.65	2.04	
* 583-MDA970G5	H	400	200	2.82	2.17	
* 583-MDA970G6	H	600	200	3.12	2.40	
* 583-MDA970G8	H	800	200	3.52	2.71	
* 583-MDA970G10	H	1000	200	4.19	3.22	

6.0 Amp

MOUSER STOCK NO.	Fig.	PRV (V)	IFM (Surge) (A)	Price Each		
				1	100	500
* 583-RS601	I	50	250	3.06	2.35	1.76
* 583-RS602	I	100	250	3.26	2.51	1.88
* 583-RS603	I	200	250	3.46	2.66	2.00
* 583-RS604	I	400	250	3.67	2.82	2.12
* 583-RS605	I	600	250	4.15	3.20	2.40
* 583-RS606	I	800	250	4.65	3.58	2.69
* 583-RS607	I	1000	250	5.14	3.95	2.97
* 583-BR605	J	50	125	2.37	1.82	1.37
* 583-BR61	J	100	125	2.41	1.86	1.39
* 583-BR62	J	200	125	2.56	1.97	1.48
* 583-BR64	J	400	125	2.92	2.24	1.68
* 583-BR66	J	600	125	3.31	2.54	1.91
* 583-BR68	J	800	125	3.75	2.88	2.16
* 583-BR610	J	1000	125	4.41	3.39	2.54

8.0 Amp

MOUSER STOCK NO.	Fig.	PRV (V)	IFM (Surge) (A)	Price Each		
				1	100	500
* 583-RS801	I	50	250	3.21	2.47	1.85
* 583-RS802	I	100	250	3.45	2.66	1.99
* 583-RS803	I	200	250	3.65	2.81	2.11
* 583-RS804	I	400	250	3.85	2.96	2.22
* 583-RS805	I	600	250	4.39	3.38	2.53
* 583-RS806	I	800	250	4.88	3.76	2.82
* 583-RS807	I	1000	250	5.42	4.17	3.13

8.0 Amp (Cont.)

MOUSER STOCK NO.	Fig.	PRV (V)	IFM (Surge) (A)	Price Each		
				1	100	500
* 583-BR805	K	50	125	2.86	2.20	1.65
* 583-BR81	K	100	125	2.91	2.24	1.68
* 583-BR82	K	200	125	2.96	2.28	1.71
* 583-BR84	K	400	125	3.33	2.56	1.92
* 583-BR86	K	600	125	3.75	2.88	2.16
* 583-BR88	K	800	125	4.19	3.22	2.42
* 583-BR810	K	1000	125	4.96	3.82	2.86

10 Amp

MOUSER STOCK NO.	Fig.	PRV (V)	IFM (Surge) (A)	Price Each		
				1	100	500
* 583-BR1005	K	50	200	3.50	2.69	2.02
* 583-BR101	K	100	200	3.60	2.77	2.08
* 583-BR102	K	200	200	3.69	2.84	2.13
* 583-BR104	K	400	200	3.95	3.04	2.28
* 583-BR106	K	600	200	4.15	3.19	2.39
* 583-BR108	K	800	200	4.58	3.52	2.64
* 583-BR1010	K	1000	200	5.62	4.33	3.24

15 Amp

MOUSER STOCK NO.	Fig.	PRV (V)	IFM (Surge) (A)	Price Each		
				1	100	500
* 583-MP1505	L	50	300	7.85	6.04	4.53
* 583-MP151	L	100	300	8.14	6.26	4.70
* 583-MP152	L	200	300	8.24	6.34	4.75
* 583-MP154	L	400	300	8.42	6.48	4.86
* 583-MP156	L	600	300	8.99	6.92	5.19
* 583-MP158	L	800	300	9.56	7.35	5.52
* 583-MP1510	L	1000	300	10.13	7.79	5.84

25 Amp

MOUSER STOCK NO.	Fig.	PRV (V)	IFM (Surge) (A)	Price Each		
				1	100	500
* 583-MP2505	L	50	300	8.13	6.26	4.70
* 583-MP251	L	100	300	8.33	6.41	4.81
* 583-MP252	L	200	300	8.51	6.55	4.92
* 583-MP254	L	400	300	8.71	6.70	5.02
* 583-MP256	L	600	300	9.28	7.14	5.35
* 583-MP258	L	800	300	9.84	7.57	5.68
* 583-MP2510	L	1000	300	10.85	8.35	6.26

35 Amp

MOUSER STOCK NO.	Fig.	PRV (V)	IFM (Surge) (A)	Price Each		
				1	100	500
* 583-MP3505	L	50	400	8.78	6.75	5.07
* 583-MP351	L	100	400	8.98	6.91	5.18
* 583-MP352	L	200	400	9.17	7.06	5.29
* 583-MP354	L	400	400	9.27	7.13	5.35
* 583-MP356	L	600	400	9.96	7.66	5.75
* 583-MP358	L	800	400	10.55	8.12	6.09
* 583-MP3510	L	1000	400	11.15	8.58	6.43

BRIDGE RECTIFIERS

*UL File No. 94233

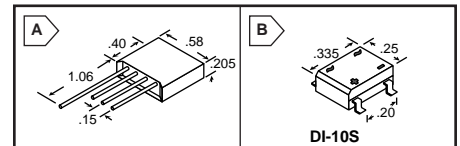
♦ Surface Mount Device

1.0 Amp

MOUSER STOCK NO.	Fig.	PRV (V)	IFM (Surge) (A)	Price Each		
				1	100	500
333-3N246	A	50	30	.93	.65	.59
333-3N248	A	200	30	.96	.68	.62
333-3N252	A	1000	30	1.26	.98	.88
♦ 333-DI104	B	400	50	.91	.75	.64

1.0 Amp (cont)

MOUSER STOCK NO.	Fig.	PRV (V)	IFM (Surge) (A)	Price Each		
				1	100	500
♦ 333-DI106	B	600	50	.99	.82	.70
♦ 333-DI108	B	800	50	1.19	.95	.80
♦ 333-DI1010	B	1000	50	1.26	.98	.88



Alternistors (15.0 to 40 Amps)

Package Type: I = Isolated Case N = Non-Isolated Case



* File # E71639

For quantities greater than listed, call for quote.

MOUSER STOCK NO.	Fig.	Case Type	Pkg. Type	IT RMS Max. (A)	VDRM Min. (V)	IGT Max. (mA)	IDRM @ 25°C Max. (mA)	VTM @ 25°C Max. (V)	VGT @ 25°C Max. (V)	PG (AV) (W)	tgt Max. (µSec)	Price Each		
												1	100	500
* 519-Q2015L6	A	TO-220AB	I	15.0	200	80	0.05	1.6	2.5	0.5	5.0	2.50	2.20	1.99
* 519-Q4015L6	A	TO-220AB	I	15.0	400	80	0.05	1.6	2.5	0.5	5.0	2.72	2.42	2.18
* 519-Q5015L6	A	TO-220AB	I	15.0	500	80	0.05	1.6	2.5	0.5	5.0	2.86	2.34	1.95
* 519-Q6015L6	A	TO-220AB	I	15.0	600	80	0.05	1.6	2.5	0.5	5.0	3.17	2.82	2.54
* 519-Q8015L6	A	TO-220AB	I	15.0	800	80	0.1	1.6	2.5	0.5	5.0	3.92	3.48	3.13
* 519-Q2015R6	A	TO-220AB	N	15.0	200	80	0.05	1.6	2.5	0.5	5.0	2.32	2.06	1.85
* 519-Q4015R6	A	TO-220AB	N	15.0	400	80	0.05	1.6	2.5	0.5	5.0	2.57	2.28	2.05
* 519-Q5015R6	A	TO-220AB	N	15.0	500	80	0.05	1.6	2.5	0.5	5.0	2.66	2.42	2.18
* 519-Q6015R6	A	TO-220AB	N	15.0	600	80	0.05	1.6	2.5	0.5	5.0	2.97	2.64	2.37
* 519-Q8015R6	A	TO-220AB	N	15.0	800	80	0.1	1.6	2.5	0.5	5.0	3.67	3.26	2.93
* 519-Q2025L6	A	TO-220AB	I	25.0	200	80	0.05	1.8	2.5	0.5	5.0	4.82	3.85	3.21
* 519-Q4025L6	A	TO-220AB	I	25.0	400	80	0.05	1.8	2.5	0.5	5.0	5.31	4.25	3.54
* 519-Q5025L6	A	TO-220AB	I	25.0	500	80	0.05	1.8	2.5	0.5	5.0	5.70	4.66	3.89
* 519-Q6025L6	A	TO-220AB	I	25.0	600	80	0.05	1.8	2.5	0.5	5.0	6.12	4.90	4.08
* 519-Q8025L6	A	TO-220AB	I	25.0	800	80	0.1	1.8	2.5	0.5	5.0	7.76	6.90	6.21
* 519-Q2025R6	A	TO-220AB	N	25.0	200	80	0.05	1.8	2.5	0.5	5.0	4.70	3.76	3.14
* 519-Q4025R6	A	TO-220AB	N	25.0	400	80	0.05	1.8	2.5	0.5	5.0	5.29	4.23	3.53
* 519-Q5025R6	A	TO-220AB	N	25.0	500	80	0.05	1.8	2.5	0.5	5.0	5.54	4.54	3.78
* 519-Q6025R6	A	TO-220AB	N	25.0	600	80	0.05	1.8	2.5	0.5	5.0	5.99	4.79	3.99
* 519-Q8025R6	A	TO-220AB	N	25.0	800	80	0.1	1.8	2.5	0.5	5.0	7.52	6.68	6.01
* 519-Q2025K6	B	TO-218AC	I	25.0	200	80	0.05	1.8	2.5	0.5	5.0	7.27	5.81	4.84
* 519-Q4025K6	B	TO-218AC	I	25.0	400	80	0.05	1.8	2.5	0.5	5.0	8.08	6.46	5.38
* 519-Q5025K6	B	TO-218AC	I	25.0	500	80	0.05	1.8	2.5	0.5	5.0	8.45	6.91	5.76
* 519-Q6025K6	B	TO-218AC	I	25.0	600	80	0.05	1.8	2.5	0.5	5.0	9.36	8.32	7.48
* 519-Q8025K6	B	TO-218AC	I	25.0	800	80	0.1	1.8	2.5	0.5	5.0	11.41	10.14	9.13
* 519-Q2025J6	C	TO-218X	I	25.0	200	80	0.05	1.8	2.5	0.5	5.0	7.43	6.60	5.94
* 519-Q4025J6	C	TO-218X	I	25.0	400	80	0.05	1.8	2.5	0.5	5.0	8.24	7.32	6.58
* 519-Q5025J6	C	TO-218X	I	25.0	500	80	0.05	1.8	2.5	0.5	5.0	8.69	7.11	5.93
* 519-Q6025J6	C	TO-218X	I	25.0	600	80	0.05	1.8	2.5	0.5	5.0	9.54	8.48	7.63
* 519-Q8025J6	C	TO-218X	I	25.0	800	80	0.1	1.8	2.5	0.5	5.0	11.66	10.36	9.32
* 519-Q2025P	D	Fastpak	I	25.0	200	80	0.05	1.8	2.5	0.5	5.0	9.18	7.34	6.14
* 519-Q4025P	D	Fastpak	I	25.0	400	80	0.05	1.8	2.5	0.5	5.0	10.19	8.15	6.80
* 519-Q5025P	D	Fastpak	I	25.0	500	80	0.05	1.8	2.5	0.5	5.0	10.98	8.98	7.49
* 519-Q6025P	D	Fastpak	I	25.0	600	80	0.05	1.8	2.5	0.5	5.0	11.81	9.45	7.88
* 519-Q8025P	D	Fastpak	I	25.0	800	80	0.1	1.8	2.5	0.5	5.0	14.78	13.14	11.83
* 519-Q2040J7	C	TO-218X	I	40.0	200	100	0.2	1.8	2.5	0.8	5.0	8.19	6.55	5.46
* 519-Q4040J7	C	TO-218X	I	40.0	400	100	0.2	1.8	2.5	0.8	5.0	9.09	7.27	6.26
* 519-Q5040J7	C	TO-218X	I	40.0	500	100	0.2	1.8	2.5	0.8	5.0	9.81	8.03	6.69
* 519-Q6040J7	C	TO-218X	I	40.0	600	100	0.2	1.8	2.5	0.8	5.0	10.53	8.42	7.02
* 519-Q8040J7	C	TO-218X	I	40.0	800	100	0.2	1.8	2.5	0.8	5.0	13.16	11.70	10.53
* 519-Q2040K7	B	TO-218AC	I	40.0	200	100	0.2	1.8	2.5	0.8	5.0	8.24	6.59	5.49
* 519-Q4040K7	B	TO-218AC	I	40.0	400	100	0.2	1.8	2.5	0.8	5.0	9.18	7.34	6.12
* 519-Q5040K7	B	TO-218AC	I	40.0	500	100	0.2	1.8	2.5	0.8	5.0	9.61	7.87	6.56
* 519-Q6040K7	B	TO-218AC	I	40.0	600	100	0.2	1.8	2.5	0.8	5.0	10.64	9.46	8.51
* 519-Q8040K7	B	TO-218AC	I	40.0	800	100	0.2	1.8	2.5	0.8	5.0	13.12	11.66	10.49
* 519-Q2040P	D	Fastpak	I	40.0	200	100	0.2	1.8	2.5	0.8	5.0	11.09	8.87	7.40
* 519-Q4040P	D	Fastpak	I	40.0	400	100	0.2	1.8	2.5	0.8	5.0	12.33	9.86	8.22
* 519-Q5040P	D	Fastpak	I	40.0	500	100	0.2	1.8	2.5	0.8	5.0	13.29	10.87	9.06
* 519-Q6040P	D	Fastpak	I	40.0	600	100	0.2	1.8	2.5	0.8	5.0	14.31	11.45	9.54

POWER RECTIFIERS

These Teccor power rectifiers come in an electrically-isolated TO-220 package, which allows them to be used in common anode or common cathode circuits using only one part type, thereby simplifying customer's stock requirements.

Features:

- Electrically-isolated packages
- Glass-passivated junctions
- High voltage capabilities
- High surge capabilities



* File # 71639

For quantities greater than listed, call for quote.

Package Type: I = Isolated Case N = Non-Isolated Case

MOUSER STOCK NO.	Fig.	Case Type	Pkg. Type	IF RMS Max. (A)	VRRM Min. (V)	VR Min. (V)	IF (AV) Max. (A)	IFSM @ 60Hz Max. (A)	IRM @ 25°C Max. (V)	VFM (V)	I2t (Sec)	Price Each		
												1	100	500
* 519-D2015L	A	TO-220AB	I	15.0	200	200	9.5	225	0.1	1.6	210	1.58	1.30	1.08
* 519-D4015L	A	TO-220AB	I	15.0	400	400	9.5	225	0.1	1.6	210	1.74	1.42	1.19
* 519-D6015L	A	TO-220AB	I	15.0	600	600	9.5	225	0.1	1.6	210	2.00	1.64	1.37
* 519-D2020L	A	TO-220AB	I	20.0	200	200	12.7	300	0.1	1.6	374	1.74	1.42	1.19

SIDACS

These sidacs are a silicon bilateral voltage triggered switch with greater power handling capabilities than standard diacs. Upon application of a voltage exceeding the sidac breakover voltage point, it switches on through a negative resistance region to a low on-state voltage. Conduction will continue until the current is interrupted or drops below the minimum holding current of the device.

Features:

- AC circuit oriented
- High surge current capabilities
- Glass-passivated junctions

Applications:

- High voltage lamp ignitors
- Natural gas ignitors
- Gas oil ignitors
- High voltage power supplies
- Over voltage protector
- Pulse generators

For quantities greater than listed, call for quote.

Package Type: I = Isolated Case N = Non-Isolated Case

MOUSER STOCK NO.	Fig.	Case Type	Pkg. Type	IT RMS Max. (A)	VDRM Min. (V)	V(BO) (V)		IDRM Max. (µA)	IBO Max. (µA)	IH (mA)		Price Each		
						Min.	Max.			Min.	Max.	1	100	500
519-K1200E	E	TO-92	I	1.0	±90	110	125	10	20	60	150	1.04	.83	.69
519-K1300E	E	TO-92	I	1.0	±90	120	138	10	20	60	150	1.04	.83	.69

BILATERAL TRIGGER DIACS

These bilateral trigger diacs are a full-wave or bi-directional thyristor. It is triggered from a blocking-to-conduction state for either polarity of applied voltage whenever the amplitude of applied voltage exceeds the breakover voltage rating of the diac.

Features:

- Glass-chip passivation
- DO-35 trigger package
- Pre-tinned leads
- Wide voltage range selections

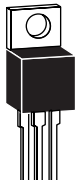
Electrical Specifications:

- Device dissipation (at TA = -40°C to +40°C) 250mW derate above +40°C: 3.6mW/°C
- Storage temperature: -40°C to +125°C
- Operating temperature: -40°C to +125°C

For quantities greater than listed, call for quote.

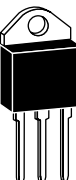
MOUSER STOCK NO.	Fig.	Case Type	V(BO) (V)		V(BO) Symmetry (V) Min.	Dynamic Breakover Voltage (V) Min.	I(BO) Max. (µA)	ITRM Max. (A)	Price Each		
			Min.	Max.					1	100	500
519-HT-32	F	DO-35	27.0	37	3	5	50	2.0	.34	.27	.23
519-HT-35	F	DO-35	30.0	40	3	5	50	2.0	.34	.27	.23
519-HT-40	F	DO-35	35.0	45	3	5	50	2.0	.34	.27	.23
519-HT-60	F	DO-35	56.0	70	4	10	50	1.5	.38	.31	.26

A



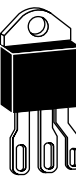
TO-220AB

B



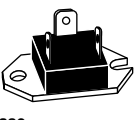
TO-218AC

C




TO-218X

D



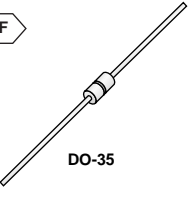
TO-3 Base Fastpak™

E



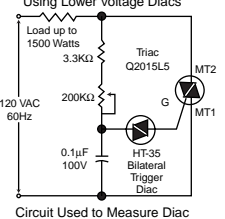
TO-92

F

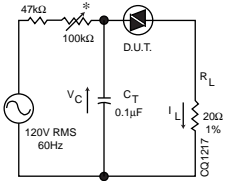


DO-35

Typical Diac-Triac Full-Wave Phase Control Circuit Using Lower Voltage Diacs



Circuit Used to Measure Diac Characteristics



* Adjust for one firing in half cycle.
D.U.T. = Diac Under Test

Sensitive SCRs (0.8 to 10 Amps)

Package Type: I = Isolated Case N = Non-Isolated Case

*  File # 71639

For quantities greater than listed, call for quote.

MOUSER STOCK NO.	Fig.	Case Type	Pkg. Type	IT RMS Max. (A)	VDRM & VRRM Min. (V)	IDRM & IRRM@25°C Max. (μA)	IGT Max. (μA)	VTM @ 25°C Max. (V)	VGT @ 25°C Max. (V)	PG (AV) (W)	tgt Max. (μSec)	Price Each		
												1	100	500
519-EC103A	A	TO-92	I	0.8	100	1.0	200	1.7	0.8	0.1	2.2	.48	.40	.33
519-EC103B	A	TO-92	I	0.8	200	1.0	200	1.7	0.8	0.1	2.2	.52	.41	.35
519-EC103C	A	TO-92	I	0.8	300	1.0	200	1.7	0.8	0.1	2.2	.57	.47	.39
519-EC103D	A	TO-92	I	0.8	400	1.0	200	1.7	0.8	0.1	2.2	.59	.47	.39
519-EC103M	A	TO-92	I	0.8	600	2.0	200	1.7	0.8	0.1	2.2	.68	.54	.45
519-EC103A1	A	TO-92	I	0.8	100	1.0	12	1.7	0.8	0.1	2.0	.57	.47	.39
519-EC103B2	A	TO-92	I	0.8	200	1.0	50	1.7	0.8	0.1	2.0	.59	.49	.41
519-2N5060	A	TO-92	I	0.8	30	1.0	200	1.7	0.8	0.1	2.2	.56	.45	.38
519-2N5061	A	TO-92	I	0.8	60	1.0	200	1.7	0.8	0.1	2.2	.57	.47	.39
519-2N5062	A	TO-92	I	0.8	100	1.0	200	1.7	0.8	0.1	2.2	.57	.47	.39
519-2N5063	A	TO-92	I	0.8	150	1.0	200	1.7	0.8	0.1	2.2	.62	.50	.42
519-2N5064	A	TO-92	I	0.8	200	1.0	200	1.7	0.8	0.1	2.2	.63	.50	.42
519-TCR22-2	A	TO-92	I	1.5	50	1.0	200	1.5	0.8	0.1	2.2	.59	.47	.39
519-TCR22-3	A	TO-92	I	1.5	100	1.0	200	1.5	0.8	0.1	2.2	.59	.47	.39
519-TCR22-4	A	TO-92	I	1.5	200	1.0	200	1.5	0.8	0.1	2.2	.63	.50	.42
519-TCR22-6	A	TO-92	I	1.5	400	1.0	200	1.5	0.8	0.1	2.2	.72	.58	.48
519-TCR22-8	A	TO-92	I	1.5	600	2.0	200	1.5	0.8	0.1	2.2	.81	.65	.54
* 519-S2003LS1	B	TO-220AB	I	3.0	200	1.0	50	1.6	0.8	0.1	2.0	1.25	1.03	.86
* 519-S1003LS2	B	TO-220AB	I	3.0	100	1.0	200	1.6	0.8	0.1	2.0	1.19	.97	.81
* 519-S2003LS2	B	TO-220AB	I	3.0	200	1.0	200	1.6	0.8	0.1	2.0	1.21	.99	.83
* 519-S4003LS2	B	TO-220AB	I	3.0	400	1.0	200	1.6	0.8	0.1	2.0	1.28	1.03	.86
519-T106F1	C	TO-202AB	N	4.0	50	2.0	200	2.2	0.8	0.1	2.2	.75	.61	.51
519-T106A1	C	TO-202AB	N	4.0	100	2.0	200	2.2	0.8	0.1	2.2	.74	.59	.50
519-T106B1	C	TO-202AB	N	4.0	200	2.0	200	2.2	0.8	0.1	2.2	.79	.63	.53
519-T106C1	C	TO-202AB	N	4.0	300	2.0	200	2.2	0.8	0.1	2.2	.84	.68	.57
519-T106D1	C	TO-202AB	N	4.0	400	2.0	200	2.2	0.8	0.1	2.2	.88	.70	.59
519-T106M1	C	TO-202AB	N	4.0	600	2.0	200	2.2	0.8	0.1	2.2	1.10	.88	.74
* 519-S1008LS2	B	TO-220AB	I	8.0	100	0.005	200	1.6	0.8	0.1	2.2	1.45	1.19	.99
* 519-S2008LS2	B	TO-220AB	I	8.0	200	0.005	200	1.6	0.8	0.1	2.2	1.50	1.22	1.02
* 519-S4008LS2	B	TO-220AB	I	8.0	400	0.005	200	1.6	0.8	0.1	2.2	1.62	1.30	1.08
* 519-S4008FS21	C	TO-202AB	N	8.0	400	0.005	200	1.6	0.8	0.1	2.2	1.26	1.01	.84
* 519-S2010LS2	B	TO-220AB	I	10.0	200	0.005	200	1.6	0.8	0.1	2.2	1.58	1.30	1.08
* 519-S4010LS2	B	TO-220AB	I	10.0	400	0.005	200	1.6	0.8	0.1	2.2	1.69	1.35	1.13
519-S1010FS21	C	TO-202AB	N	10.0	100	0.005	200	1.6	0.8	0.1	2.2	1.30	1.06	.89
519-S2010FS21	C	TO-202AB	N	10.0	200	0.005	200	1.6	0.8	0.1	2.2	1.34	1.10	.92
519-S4010FS21	C	TO-202AB	N	10.0	400	0.005	200	1.6	0.8	0.1	2.2	1.42	1.13	.95


Non-Sensitive SCRs (1.0 to 70.0 Amps)

Package Type: I = Isolated Case N = Non-Isolated Case

*  File # 71639


For quantities greater than listed, call for quote.

MOUSER STOCK NO.	Fig.	Case Type	Pkg. Type	IT RMS Max. (A)	VDRM & VRRM Min. (V)	IDRM & IRRM@25°C Max. (mA)	IGT Max. (mA)	VTM @ 25°C Max. (V)	VGT @ 25°C Max. (V)	PG (AV) (W)	tgt Max. (μSec)	Price Each		
												1	100	500
519-S101E	A	TO-92	I	1.0	100	0.01	10	1.6	1.5	0.3	2.0	.65	.52	.44
519-S201E	A	TO-92	I	1.0	200	0.01	10	1.6	1.5	0.3	2.0	.70	.56	.47
519-S401E	A	TO-92	I	1.0	400	0.01	10	1.6	1.5	0.3	2.0	.77	.61	.51
519-S601E	A	TO-92	I	1.0	600	0.01	10	1.6	1.5	0.3	2.0	.86	.68	.57
* 519-S1006L	B	TO-220AB	I	6.0	100	0.01	15	1.6	1.5	0.5	2.0	1.28	1.04	.87
* 519-S2006L	B	TO-220AB	I	6.0	200	0.01	15	1.6	1.5	0.5	2.0	1.31	1.04	.87
* 519-S4006L	B	TO-220AB	I	6.0	400	0.01	15	1.6	1.5	0.5	2.0	1.55	1.12	.93
* 519-S6006L	B	TO-220AB	I	6.0	600	0.01	15	1.6	1.5	0.5	2.0	1.62	1.30	1.09
* 519-S1008L	B	TO-220AB	I	8.0	100	0.01	15	1.6	1.5	0.5	2.0	1.36	1.12	.93
* 519-S2008L	B	TO-220AB	I	8.0	200	0.01	15	1.6	1.5	0.5	2.0	1.40	1.12	.93
* 519-S4008L	B	TO-220AB	I	8.0	400	0.01	15	1.6	1.5	0.5	2.0	1.51	1.21	1.01
* 519-S6008L	B	TO-220AB	I	8.0	600	0.01	15	1.6	1.5	0.5	2.0	1.76	1.40	1.17
519-S1008R	B	TO-220AB	N	8.0	100	0.01	15	1.6	1.5	0.5	2.0	1.23	1.01	.84
519-S2008R	B	TO-220AB	N	8.0	200	0.01	15	1.6	1.5	0.5	2.0	1.26	1.01	.83
519-S4008R	B	TO-220AB	N	8.0	400	0.01	15	1.6	1.5	0.5	2.0	1.35	1.08	.90
519-S6008R	B	TO-220AB	N	8.0	600	0.01	15	1.6	1.5	0.5	2.0	1.58	1.26	1.05
* 519-S1010L	B	TO-220AB	I	10.0	100	0.01	15	1.6	1.5	0.5	2.0	1.43	1.17	.98
* 519-S2010L	B	TO-220AB	I	10.0	200	0.01	15	1.6	1.5	0.5	2.0	1.47	1.21	1.01
* 519-S4010L	B	TO-220AB	I	10.0	400	0.01	15	1.6	1.5	0.5	2.0	1.60	1.28	1.06
* 519-S6010L	B	TO-220AB	I	10.0	600	0.01	15	1.6	1.5	0.5	2.0	1.85	1.48	1.23
519-S1012R	B	TO-220AB	N	12.0	100	0.01	20	1.6	1.5	0.5	2.0	1.41	1.15	.96
519-S2012R	B	TO-220AB	N	12.0	200	0.01	20	1.6	1.5	0.5	2.0	1.43	1.17	.98
519-S4012R	B	TO-220AB	N	12.0	400	0.01	20	1.6	1.5	0.5	2.0	1.53	1.22	1.02
519-S6012R	B	TO-220AB	N	12.0	600	0.01	20	1.6	1.5	0.5	2.0	1.78	1.42	1.19
* 519-S1015L	B	TO-220AB	I	15.0	100	0.01	30	1.6	1.5	0.6	2.0	1.72	1.40	1.17
* 519-S2015L	B	TO-220AB	I	15.0	200	0.01	30	1.6	1.5	0.6	2.0	1.76	1.44	1.20
* 519-S4015L	B	TO-220AB	I	15.0	400	0.01	30	1.6	1.5	0.6	2.0	1.89	1.51	1.26
* 519-S6015L	B	TO-220AB	I	15.0	600	0.01	30	1.6	1.5	0.6	2.0	2.21	1.76	1.47
* 519-S1020L	B	TO-220AB	I	20.0	100	0.01	30	1.6	1.5	0.6	2.0	2.09	1.71	1.43
* 519-S2020L	B	TO-220AB	I	20.0	200	0.01	30	1.6	1.5	0.6	2.0	2.13	1.75	1.46
* 519-S4020L	B	TO-220AB	I	20.0	400	0.01	30	1.6	1.5	0.6	2.0	2.27	1.82	1.52
* 519-S6020L	B	TO-220AB	I	20.0	600	0.01	30	1.6	1.5	0.6	2.0	2.48	1.98	1.65
* 519-S1025L	B	TO-220AB	I	25.0	100	0.01	30	1.6	1.5	0.8	2.0	2.64	2.16	1.80
* 519-S2025L	B	TO-220AB	I	25.0	200	0.01	30	1.6	1.5	0.8	2.0	2.73	2.23	1.86
* 519-S4025L	B	TO-220AB	I	25.0	400	0.01	30	1.6	1.5	0.8	2.0	2.95	2.36	1.97
* 519-S6025L	B	TO-220AB	I	25.0	600	0.01	30	1.6	1.5	0.8	2.0	3.17	2.54	2.12
519-S1055W	D	TO-218X	N	55.0	100	0.01	40	1.8	1.5	0.8	2.5	5.17	4.23	3.53
519-S2055W	D	TO-218X	N	55.0	200	0.01	40	1.8	1.5	0.8	2.5	5.32	4.36	3.63
519-S4055W	D	TO-218X	N	55.0	400	0.01	40	1.8	1.5	0.8	2.5	5.81	4.64	3.87
519-S6055W	D	TO-218X	N	55.0	600	0.01	40	1.8	1.5	0.8	2.5	6.75	5.40	4.50
* 519-S1065J	D	TO-218X	I	65.0	100	0.02	50	1.8	2.0	1.0	2.5	7.24	5.92	4.94
* 519-S2065J	D	TO-218X	I	65.0	200	0.02	50	1.8	2.0	1.0	2.5	7.41	6.07	5.06
* 519-S4065J	D	TO-218X	I	65.0	400	0.02	50	1.8	2.0	1.0	2.5	8.10	6.48	5.47
* 519-S6065J	D	TO-218X	I	65.0	600	0.02	50	1.8	2.0	1.0	2.5	9.36	7.49	6.24
519-S1070W	D	TO-218X	N	70.0	100	0.02	50	1.8	2.0	1.0	2.5	6.18	5.06	4.22
519-S2070W	D	TO-218X	N	70.0	200	0.02	50	1.8	2.0	1.0	2.5	6.38	5.22	4.35
519-S4070W	D	TO-218X	N	70.0	400	0.02	50	1.8	2.0	1.0	2.5	6.77	5.42	4.52
519-S6070W	D	TO-218X	N	70.0	600	0.02	50	1.8	2.0	1.0	2.5	7.88	6.30	5.25




TO-92

A



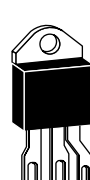
**Thermotab®
TO-220AB**

B



TO-220AB

C



TO-

Logic Triacs (1.0 to 8.0 Amps)

Package Type: I = Isolated Case N = Non-Isolated Case * File # E71639 For quantities greater than listed, call for quote.

MOUSER STOCK NO.	Fig.	Case Type	Pkg. Type	IT RMS Max. (A)	VDRM Min. (V)	IGT Max. (mA)	IDRM @ 25°C Max. (mA)	VTM @ 25°C Max. (V)	VGT @ 25°C Max. (V)	PG (AV) (W)	tgt Max. (µSec)	Price Each		
												1	100	500
519-L201E3	A	TO-92	I	1.0	200	3	0.01	1.6	2.0	0.2	2.5	1.06	.85	.71
519-L401E3	A	TO-92	I	1.0	400	3	0.01	1.6	2.0	0.2	2.5	1.22	.97	.81
519-L601E3	A	TO-92	I	1.0	600	3	0.01	1.6	2.0	0.2	2.5	1.40	1.12	.93
519-L201E5	A	TO-92	I	1.0	200	5	0.01	1.6	2.0	0.2	2.5	.95	.76	.63
519-L401E5	A	TO-92	I	1.0	400	5	0.01	1.6	2.0	0.2	2.5	1.06	.85	.71
519-L601E5	A	TO-92	I	1.0	600	5	0.01	1.6	2.0	0.2	2.5	1.22	.97	.81
* 519-L2004L3	B	TO-220AB	I	4.0	200	3	0.01	1.6	2.0	0.3	2.5	2.12	1.69	1.41
* 519-L4004L3	B	TO-220AB	I	4.0	400	3	0.01	1.6	2.0	0.3	2.5	1.87	1.50	1.40
* 519-L6004L3	B	TO-220AB	I	4.0	600	3	0.01	1.6	2.0	0.3	2.5	2.61	2.09	1.74
519-L2004F31	C	TO-202AB	N	4.0	200	3	0.01	1.6	2.0	0.3	2.5	1.33	1.06	.89
519-L4004F31	C	TO-202AB	N	4.0	400	3	0.01	1.6	2.0	0.3	2.5	1.42	1.13	.95
519-L6004F31	C	TO-202AB	N	4.0	600	3	0.01	1.6	2.0	0.3	2.5	1.64	1.31	1.10
519-L2004F51	C	TO-202AB	N	4.0	200	5	0.01	1.6	2.0	0.3	2.5	1.22	.97	.81
519-L4004F51	C	TO-202AB	N	4.0	400	5	0.01	1.6	2.0	0.3	2.5	1.28	1.03	.86
519-L6004F51	C	TO-202AB	N	4.0	600	5	0.01	1.6	2.0	0.3	2.5	1.49	1.19	.99
* 519-L2008L6	B	TO-220AB	I	8.0	200	5	0.02	1.6	2.0	0.4	2.5	2.00	1.60	1.34
* 519-L4008L6	B	TO-220AB	I	8.0	400	5	0.02	1.6	2.0	0.4	2.5	2.14	1.71	1.43
* 519-L6008L6	B	TO-220AB	I	8.0	600	5	0.02	1.6	2.0	0.4	2.5	2.48	1.98	1.65



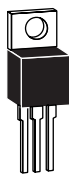
TO-92



Gated Triacs (1.0 to 15.0 Amps)

Package Type: I = Isolated Case N = Non-Isolated Case * File # E71639 For quantities greater than listed, call for quote.

MOUSER STOCK NO.	Fig.	Case Type	Pkg. Type	IT RMS Max. (A)	VDRM Min. (V)	IGT Max. (mA)	IDRM @ 25°C Max. (mA)	VTM @ 25°C Max. (V)	VBO (Min/Max) (V)	CT Max. (µF)	IH Max. (mA)	tgt Max. (µSec)	Price Each		
													1	100	500
519-Q201E3	A	TO-92	I	1.0	200	10	0.02	1.6	2.0	0.2	2.5	.79	.63	.53	
519-Q401E3	A	TO-92	I	1.0	400	10	0.02	1.6	2.0	0.2	2.5	.95	.76	.64	
519-Q501E3	A	TO-92	I	1.0	500	10	0.02	1.6	2.0	0.2	2.5	1.03	.85	.71	
519-Q601E3	A	TO-92	I	1.0	600	10	0.02	1.6	2.0	0.2	2.5	1.10	.88	.74	
* 519-Q2004L3	B	TO-220AB	I	4.0	200	10	0.05	1.6	2.0	0.3	2.5	1.73	1.39	1.16	
* 519-Q4004L3	B	TO-220AB	I	4.0	400	10	0.05	1.6	2.0	0.3	2.5	1.87	1.49	1.25	
* 519-Q5004L3	B	TO-220AB	I	4.0	500	10	0.05	1.6	2.0	0.3	2.5	2.02	1.66	1.83	
* 519-Q6004L3	B	TO-220AB	I	4.0	600	10	0.05	1.6	2.0	0.3	2.5	2.16	1.73	1.44	
* 519-Q2004L4	B	TO-220AB	I	4.0	200	25	0.05	1.6	2.5	0.3	3.0	1.50	1.22	1.02	
* 519-Q4004L4	B	TO-220AB	I	4.0	400	25	0.05	1.6	2.5	0.3	3.0	1.63	1.33	1.11	
* 519-Q5004L4	B	TO-220AB	I	4.0	500	25	0.05	1.6	2.5	0.3	3.0	1.78	1.46	1.22	
* 519-Q6004L4	B	TO-220AB	I	4.0	600	25	0.05	1.6	2.5	0.3	3.0	1.94	1.58	1.32	
519-Q2004F31	C	TO-202AB	N	4.0	200	10	0.05	1.6	2.0	0.3	2.5	1.33	1.06	.89	
519-Q4004F31	C	TO-202AB	N	4.0	400	10	0.05	1.6	2.0	0.3	2.5	1.17	.94	.78	
519-Q5004F31	C	TO-202AB	N	4.0	500	10	0.05	1.6	2.0	0.3	2.5	1.25	1.03	.86	
519-Q6004F31	C	TO-202AB	N	4.0	600	10	0.05	1.6	2.0	0.3	2.5	1.35	1.08	.90	
519-Q2004F41	C	TO-202AB	N	4.0	200	25	0.05	1.6	2.5	0.3	3.0	1.03	.85	.71	
519-Q4004F41	C	TO-202AB	N	4.0	400	25	0.05	1.6	2.5	0.3	3.0	1.10	.90	.75	
* 519-Q2006L4	B	TO-220AB	I	6.0	200	25	0.05	1.6	2.5	0.5	3.0	1.72	1.40	1.17	
* 519-Q4006L4	B	TO-220AB	I	6.0	400	25	0.05	1.6	2.5	0.5	3.0	1.85	1.51	1.26	
* 519-Q2008L4	B	TO-220AB	I	8.0	200	25	0.05	1.6	2.5	0.5	3.0	1.78	1.42	1.19	
* 519-Q4008L4	B	TO-220AB	I	8.0	400	25	0.05	1.6	2.5	0.5	3.0	1.94	1.55	1.29	
* 519-Q5008L4	B	TO-220AB	I	8.0	500	25	0.05	1.6	2.5	0.5	3.0	2.09	1.71	1.43	
* 519-Q6008L5	B	TO-220AB	I	8.0	600	25	0.05	1.6	2.5	0.5	3.0	2.16	1.73	1.44	
519-Q2008F41	C	TO-202AB	N	8.0	200	25	0.05	1.6	2.5	0.5	3.0	1.35	1.08	.90	
519-Q2008R4	B	TO-220AB	N	8.0	200	25	0.05	1.6	2.5	0.5	3.0	1.47	1.21	1.01	
519-Q4008R4	B	TO-220AB	N	8.0	400	25	0.05	1.6	2.5	0.5	3.0	1.58	1.26	1.05	
519-Q5008R4	B	TO-220AB	N	8.0	500	25	0.05	1.6	2.5	0.5	3.0	1.69	1.39	1.16	
519-Q6008R5	B	TO-220AB	N	8.0	600	25	0.05	1.6	2.5	0.5	3.0	1.76	1.40	1.17	
* 519-Q2010L5	B	TO-220AB	I	10.0	200	50	0.05	1.6	2.5	0.5	3.0	1.87	1.50	1.25	
* 519-Q4010L5	B	TO-220AB	I	10.0	400	50	0.05	1.6	2.5	0.5	3.0	2.12	1.69	1.41	
* 519-Q5010L5	B	TO-220AB	I	10.0	500	50	0.05	1.6	2.5	0.5	3.0	2.27	1.85	1.55	
* 519-Q6010L5	B	TO-220AB	I	10.0	600	50	0.05	1.6	2.5	0.5	3.0	2.45	1.96	1.64	
* 519-Q2010R5	B	TO-220AB	N	10.0	200	50	0.05	1.6	2.5	0.5	3.0	1.76	1.40	1.17	
519-Q4010R5	B	TO-220AB	N	10.0	400	50	0.05	1.6	2.5	0.5	3.0	1.96	1.57	1.31	
519-Q5010R5	B	TO-220AB	N	10.0	500	50	0.05	1.6	2.5	0.5	3.0	2.11	1.73	1.44	
519-Q6010R5	B	TO-220AB	N	10.0	600	50	0.05	1.6	2.5	0.5	3.0	2.30	1.84	1.53	
* 519-Q2015L5	B	TO-220AB	I	15.0	200	50	0.05	1.6	2.5	0.5	4.0	2.30	1.84	1.54	
* 519-Q4015L5	B	TO-220AB	I	15.0	400	50	0.05	1.6	2.5	0.5	4.0	2.52	2.02	1.68	
* 519-Q5015L5	B	TO-220AB	I	15.0	500	50	0.05	1.6	2.5	0.5	4.0	2.73	2.23	1.86	
* 519-Q6015L5	B	TO-220AB	I	15.0	600	50	0.05	1.6	2.5	0.5	4.0	2.95	2.36	1.97	
519-Q2015R5	B	TO-220AB	N	15.0	200	50	0.05	1.6	2.5	0.5	4.0	2.14	1.71	1.43	
519-Q4015R5	B	TO-220AB	N	15.0	400	50	0.05	1.6	2.5	0.5	4.0	2.36	1.89	1.58	
519-Q5015R5	B	TO-220AB	N	15.0	500	50	0.05	1.6	2.5	0.5	4.0	2.55	2.09	1.74	
519-Q6015R5	B	TO-220AB	N	15.0	600	50	0.05	1.6	2.5	0.5	4.0	2.75	2.20	1.83	



Thermostab® TO-220AB

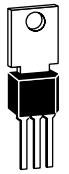


QUADRAC

Internally Triggered Triacs (4.0 to 15.0 Amps)

Package Type: I = Isolated Case N = Non-Isolated Case * File # 71639 For quantities greater than listed, call for quote.

MOUSER STOCK NO.	Fig.	Case Type	Pkg. Type	IT RMS Max. (A)	VDRM Min. (V)	IDRM @ 25°C Max. (mA)	VTM @ 25°C Max. (V)	VBO (Min/Max) (V)	CT Max. (µF)	IH Max. (mA)	tgt Max. (µSec)	Price Each		
												1	100	500
* 519-Q2004LT	A	TO-220AB	I	4.0	200	0.05	1.6	33 / 43	0.1	40	3.0	1.80	1.44	1.20
* 519-Q4004LT	A	TO-220AB	I	4.0	400	0.05	1.6	33 / 43	0.1	40	3.0	1.96	1.57	1.31
* 519-Q5004LT	A	TO-220AB	I	4.0	500	0.05	1.6	33 / 43	0.1	40	3.0	2.11	1.73	1.44
* 519-Q6004LT	A	TO-220AB	I	4.0	600	0.05	1.6	33 / 43	0.1	40	3.0	2.25	1.80	1.50
* 519-Q4006LT	A	TO-220AB	I	6.0	400	0.05	1.6	33 / 43	0.1	50	3.0	2.13	1.75	1.41
* 519-Q2008LT	A	TO-220AB	I	8.0	200	0.05	1.6	33 / 43	0.1	60	3.0	2.00	1.64	1.34
* 519-Q4008LT	A	TO-220AB	I	8.0	400	0.05	1.6	33 / 43	0.1	60	3.0	2.18	1.75	1.46
* 519-Q5008LT	A	TO-220AB	I	8.0	500	0.05	1.6	33 / 43	0.1	60	3.0	2.33	1.91	1.59
* 519-Q6008LT	A	TO-220AB	I	8.0	600	0.05	1.6	33 / 43	0.1	60	3.0	2.52	2.02	1.68
* 519-Q2010LT	A	TO-220AB	I	10.0	200	0.05	1.6	33 / 43	0.1	60	3.0	2.24	1.84	1.53
* 519-Q4010LT	A	TO-220AB	I	10.0	400	0.05	1.6	33 / 43	0.1	60	3.0	2.51	2.05	1.71
* 519-Q2015LT	A	TO-220AB	I	15.0	200	0.05	1.6	33 / 43	0.1	70	3.0	2.66	2.18	1.82
* 519-Q4015LT	A	TO-220AB	I	15.0	400	0.05	1.6	33 / 43	0.1	70	3.0	2.90	2.32	1.94
* 519-Q5015LT	A	TO-220AB	I	15.0	500	0.05	1.6	33 / 43	0.1	70	3.0	3.12	2.56	2.13
* 519-Q6015LT	A	TO-220AB	I	15.0	600	0.05	1.6	33 / 43	0.1	70	3.0	3.31	2.65	2.21



TO-220AB

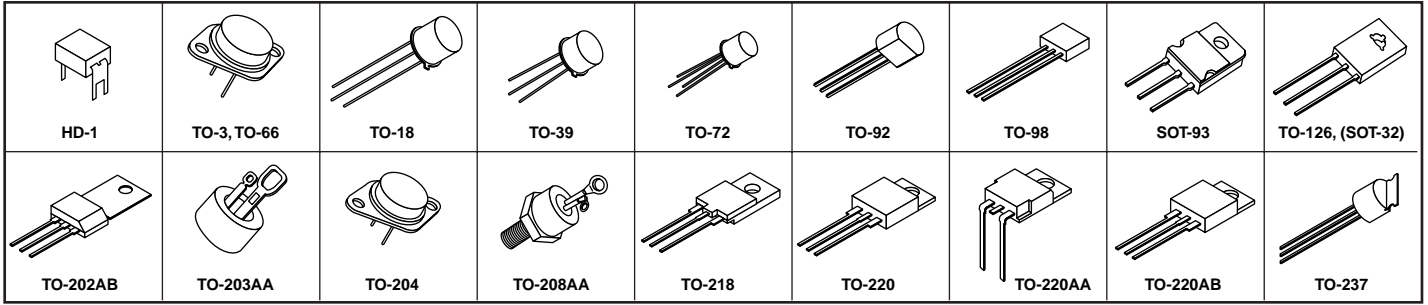


Transistor, Thyristor, SCR, Mosfet, Hexfet, and Triac Devices

"2N"

Manufacturer	Prefix
Central Semiconductor	610
EXL Semiconductor	333
Harris Semiconductor	570

Manufacturer	Prefix
Rohm	592
SGS Thomson	511



◆ Surface Mount Device

For quantities greater than listed, call for quote.

For quantities greater than listed, call for quote.

Industry Type	MOUSER STOCK NO.	Package	Description	Price Each	Industry Type	MOUSER STOCK NO.	Package	Description	Price Each
				1-99					1-99
2N681	570-2N681	TO-208AA	Thyristor 25V 25A	10.09	2N2906A	511-2N2906A	TO-18	PNP General Purpose SS	0.51
2N682	570-2N682	TO-208AA	Thyristor 50V 25A	10.09	2N2907	511-2N2907	TO-18	PNP General Purpose SS	0.35
2N683	610-2N683	TO-48	Thyristor 100V 25A	9.08	◆ MMST2907	592-MMST2907	SOT-23	PNP General Purpose SS	0.28
2N684	570-2N684	TO-208AA	Thyristor 150V 25A	10.09	◆ MMBT2907A	333-MMBT2907A	SOT-23	PNP General Purpose SS	0.35
2N685	570-2N685	TO-208AA	Thyristor 200V 25A	10.09	2N2907A	511-2N2907A	TO-18	PNP General Purpose SS	0.37
2N686	570-2N686	TO-208AA	Thyristor 250V 25A	10.09	◆ MMST2907A	592-MMST2907A	SOT-23	PNP General Purpose SS	0.32
2N687	570-2N687	TO-208AA	Thyristor 300V 25A	10.09	◆ RXT2907A	592-RXT2907A	SOT-89	PNP General Purpose SS	0.65
2N688	610-2N688	TO-48	Thyristor 400V 25A	9.85	◆ SST2907A	592-SST2907A	SOT-23	PNP General Purpose SS	0.22
2N689	570-2N689	TO-208AA	Thyristor 500V 25A	10.47	◆ UMT2907A	592-UMT2907A	SOT-323	PNP General Purpose SS	0.33
2N690	570-2N690	TO-208AA	Thyristor 600V 25A	10.41	2N2907A	610-2N2907A	TO-18	PNP General Purpose SS	0.45
2N697	333-2N697	TO-39	NPN Medium Power	0.99	PN2907A	333-PN2907A	TO-92	PNP General Purpose Switch	0.18
2N706	333-2N706	TO-18	NPN Fast Switch SS	0.62	PN2907A	610-PN2907A	TO-92	PNP General Purpose Switch	0.18
2N708	511-2N708	TO-18	NPN Fast Switch SS	0.71	2N2925	610-2N2925	TO-92	NPN General Purpose SS	0.33
2N718	333-2N718	TO-18	NPN General Purpose SS	0.47	2N3013	511-2N3013	TO-18	NPN Fast Switch SS	0.75
2N718A	610-2N718A	TO-18	NPN General Purpose SS	0.58	2N3019	511-2N3019	TO-39	NPN General Purpose SS	0.74
2N720A	333-2N720A	TO-18	NPN General Purpose SS	0.89	2N3020	333-2N3020	TO-39	NPN General Purpose SS	0.61
2N720A	511-2N720A	TO-18	NPN General Purpose SS	0.90	2N3053	333-2N3053	TO-39	NPN General Purpose SS	0.66
2N914	511-2N914	TO-18	NPN Fast Switch SS	0.71	2N3053	511-2N3053	TO-39	NPN General Purpose SS	0.67
2N917	333-2N917	TO-72	NPN Low Noise	0.72	2N3055	511-2N3055	TO-3	NPN Power Switch	1.43
2N918	511-2N918	TO-72	NPN VHF Osc SS	0.97	2N3055A	333-2N3055A	TO-3	NPN Power Switch	1.61
PN918	610-PN918	TO-92	NPN General Purpose Switch	0.29	2N3107	333-2N3107	TO-39	NPN General Purpose SS	1.75
◆ MMST918	592-MMST918	SOT-23	NPN VHF Osc SS	0.40	2N3108	333-2N3108	TO-39	NPN General Purpose SS	0.79
2N930	333-2N930	TO-18	NPN General Purpose SS	0.40	2N3108	511-2N3108	TO-39	NPN General Purpose SS	0.80
2N956	511-2N956	TO-18	NPN General Purpose SS	0.89	2N3109	511-2N3109	TO-39	NPN General Purpose SS	0.76
2N1480	570-2N1480	TO-39	NPN Power Transistor	1.54	2N3117	333-2N3117	TO-18	NPN Low Level SS	1.36
2N1481	570-2N1481	TO-39	NPN Power Transistor	1.54	2N3209	511-2N3209	TO-18	PNP Hi-Speed Switch	0.71
2N1613	511-2N1613	TO-39	NPN General Purpose SS	0.58	2N3250	511-2N3250	TO-18	PNP General Purpose SS	0.60
2N1613	610-2N1613	TO-39	NPN General Purpose SS	0.47	PN3250	592-PN3250	TO-92	PNP General Purpose Switch	0.22
2N1700	570-2N1700	TO-39	NPN Power Transistor	2.18	PN3250A	592-PN3250A	TO-92	PNP General Purpose Switch	0.22
2N1702	570-2N1702	TO-3	NPN Power Transistor	6.29	PN3251	592-PN3251	TO-92	PNP General Purpose Switch	0.22
2N1711	511-2N1711	TO-39	NPN General Purpose SS	0.44	PN3251A	592-PN3251A	TO-92	PNP General Purpose Switch	0.22
2N1893	511-2N1893	TO-39	NPN General Purpose SS	0.44	2N3300	511-2N3300	TO-39	NPN General Purpose SS	0.81
2N1893	570-2N1893	TO-39	NPN General Purpose SS	1.96	2N3301	511-2N3301	TO-18	NPN General Purpose SS	0.55
2N2102	511-2N2102	TO-39	NPN General Purpose SS	0.81	2N3302	511-2N3302	TO-18	NPN General Purpose SS	0.67
2N2218	333-2N2218	TO-18	NPN General Purpose SS	0.56	2N3419	511-2N3419	TO-39	NPN Power Switch	2.44
2N2218A	333-2N2218A	TO-18	NPN General Purpose SS	0.58	2N3420	511-2N3420	TO-39	NPN Power Switch	1.77
2N2218A	511-2N2218A	TO-39	NPN General Purpose SS	0.55	2N3421	511-2N3421	TO-39	NPN Power Switch	2.65
2N2219	511-2N2219	TO-39	NPN General Purpose SS	0.62	2N3439	511-2N3439	TO-39	NPN Power Switch	0.78
2N2219A	333-2N2219A	TO-18	NPN General Purpose SS	0.80	2N3440	511-2N3440	TO-39	NPN Power Switch	0.74
2N2219A	511-2N2219A	TO-39	NPN General Purpose SS	0.64	2N3442	333-2N3442	TO-3	NPN Power Switch	2.25
2N2221	333-2N2221	TO-18	NPN General Purpose SS	0.62	2N3502	511-2N3502	TO-39	PNP General Purpose SS	0.74
2N2221A	333-2N2221A	TO-18	NPN General Purpose SS	0.74	2N3503	511-2N3503	TO-39	PNP General Purpose SS	0.74
2N2221A	511-2N2221A	TO-18	NPN General Purpose SS	0.62	2N3504	511-2N3504	TO-18	PNP General Purpose SS	0.60
2N2222	511-2N2222	TO-18	NPN General Purpose SS	0.32	2N3505	511-2N3505	TO-18	PNP General Purpose SS	0.51
◆ MMST2222	592-MMST2222	SOT-23	NPN General Purpose SS	0.28	PN3564	592-PN3564	TO-92	NPN Hi-Frequency Switch	0.26
PN2222	333-PN2222	TO-92	NPN General Purpose Switch	0.18	PN3565	333-PN3565	TO-92	NPN Low Level SS	0.32
PN2222	592-PN2222	TO-92	NPN General Purpose Switch	0.23	PN3566	333-PN3566	TO-92	NPN General Purpose Switch	0.54
2N2222A	511-2N2222A	TO-18	NPN General Purpose SS	0.35	2N3567	333-2N3567	TO-105	NPN General Purpose	0.62
◆ MMST2222A	592-MMST2222A	SOT-23	NPN General Purpose SS	0.32	PN3567	333-PN3567	TO-92	NPN Medium Power	0.41
◆ RXT2222A	592-RXT2222A	SOT-89	NPN General Purpose SS	0.65	PN3569	333-PN3569	TO-92	NPN Medium Power	0.20
◆ SST2222A	592-SST2222A	SOT-23	NPN General Purpose SS	0.22	2N3635	333-2N3635	TO-39	PNP General Purpose SS	1.96
◆ UMT2222A	592-UMT2222A	SOT-323	NPN General Purpose SS	0.33	2N3636	333-2N3636	TO-39	PNP General Purpose SS	1.70
2N2222A	610-2N2222A	TO-18	NPN General Purpose SS	0.43	PN3638A	333-PN3638A	TO-92	PNP General Purpose SS	0.35
◆ CMPT2222A	610-CMPT2222A	SOT-23	NPN General Purpose SS	0.28	PN3640	333-PN3640	TO-92	PNP General Purpose Switch	1.50
PN2222A	610-PN2222A	TO-92	NPN General Purpose SS	0.18	PN3644	333-PN3644	TO-92	PNP General Purpose Switch	0.31
2N2368	511-2N2368	TO-18	NPN Fast Switch SS	0.99	PN3645	610-PN3645	TO-92	PNP General Purpose Switch	0.38
2N2369	333-KTN2369	TO-92	NPN Fast Switch SS	0.40	2N3700	511-2N3700	TO-18	NPN General Purpose SS	0.74
2N2369	333-2N2369	TO-18	NPN Fast Switch SS	0.40	2N3703	610-2N3703	TO-92	PNP General Purpose Switch	0.33
2N2369	511-2N2369	TO-18	NPN Fast Switch SS	0.44	2N3704	333-2N3704	TO-92	NPN General Purpose Switch	0.34
◆ CMPT2369	610-CMPT2369	SOT-23	NPN Fast Switch SS	0.29	2N3707	511-2N3707	TO-92	NPN General Purpose SS	0.33
◆ MMBT2369A	333-MMBT2369A	SOT-23	NPN Fast Switch SS	0.32	2N3711	610-2N3711	TO-92	NPN General Purpose SS	0.33
2N2369A	511-2N2369A	TO-18	NPN Fast Switch SS	0.46	2N3724	511-2N3724	TO-39	NPN Fast Switch SS	0.97
2N2369A	610-2N2369A	TO-18	NPN Fast Switch SS	0.40	2N3725	511-2N3725	TO-39	NPN Fast Switch SS	1.01
2N2484	333-2N2484	TO-18	NPN Low Level SS	0.72	2N3771	511-2N3771	TO-3	NPN Power Switch	2.60
2N2484	511-2N2484	TO-18	NPN Low Level SS	0.58	2N3772	511-2N3772	TO-3	NPN Power Switch	2.69
2N2845	511-2N2845	TO-18	NPN Fast Switch SS	0.99	2N3773	333-2N3773	TO-3	NPN Power Switch	3.13
2N2857	511-2N2857	TO-72	NPN VHF/UHF AM	1.66	2N3789	511-2N3789	TO-3	PNP Power Switch	1.52
2N2894	511-2N2894	TO-18	PNP Fast Switch SS	0.81	2N3792	570-2N3792	TO-3	PNP Power Switch	3.36
2N2904	333-2N2904	TO-18	PNP General Purpose SS	0.62	2N3839	511-2N3839	TO-72	NPN VHF/UHF AM	1.66
2N2904A	511-2N2904A	TO-39	PNP General Purpose SS	0.64	2N3860	592-2N3860	TO-92	NPN General Purpose SS	0.33
2N2905	333-2N2905	TO-39	PNP General Purpose SS	0.62	2N3866	511-2N3866	TO-39	NPN VHF/UHF AM	1.50
2N2905	511-2N2905	TO-39	PNP General Purpose SS	0.62	2N3903	333-2N3903	TO-92	NPN General Purpose SS	0.18
2N2905A	333-2N2905A	TO-39	PNP General Purpose SS	0.81	◆ MMST3904	592-MMST3904	SOT-23	NPN General Purpose SS	0.32
2N2905A	511-2N2905A	TO-39	PNP General Purpose SS	0.64	◆ RXT3904	592-RXT3904	SOT-89	NPN General Purpose SS	0.56
2N2906A	333-2N2906A	TO-18	PNP General Purpose SS	0.50	◆ SST3904	592-SST3904	SOT-23	NPN General Purpose SS	0.20

Transistor, Thyristor, SCR, Mosfet, Hexfet, and Triac Devices

"2N"

Manufacturer	Prefix
Central Semiconductor	610
EXL Semiconductor	333
Harris Semiconductor	570
Rohm	592

Manufacturer	Prefix
SGS Thomson	511
Teccor	519

◆ Surface Mount Device

For quantities greater than listed, call for quote.

For quantities greater than listed, call for quote.

Industry Type	MOUSER STOCK NO.	Package	Description	Price Each
				1-99
◆ UMT3904	592-UMT3904	SOT-323	NPN General Purpose SS	0.33
2N3904	610-2N3904	TO-92	NPN General Purpose SS	0.19
◆ CMPT3904	610-CMPT3904	SOT-23	NPN General Purpose SS	0.31
2N3905	333-2N3905	TO-92	PNP General Purpose SS	0.21
2N3906	333-2N3906	TO-92	PNP General Purpose SS	0.21
◆ 2N3906S	333-2N3906S	SOT-23	PNP General Purpose SS	0.24
◆ MMBT3906	333-MMBT3906	SOT-23	PNP General Purpose SS	0.24
◆ MMBT3906	592-MMBT3906	SOT-23	PNP General Purpose SS	0.32
◆ RXT3906	592-RXT3906	SOT-89	PNP General Purpose SS	0.56
◆ SST3906	592-SST3906	SOT-23	PNP General Purpose SS	0.20
◆ UMT3906	592-UMT3906	SOT-323	PNP General Purpose SS	0.33
2N3906	610-2N3906	TO-92	PNP General Purpose SS	0.19
2N3930	511-2N3930	TO-18	PNP Hi-Volt SS	0.97
2N3931	511-2N3931	TO-39	PNP Hi-Volt SS	0.89
2N3962	333-2N3962	TO-18	PNP Low Level SS	0.38
2N3962	511-2N3962	TO-18	PNP Low Level SS	0.83
2N3963	511-2N3963	TO-18	PNP Low Level SS	0.67
2N3964	511-2N3964	TO-18	PNP Low Level SS	0.99
2N3965	511-2N3965	TO-18	PNP Low Level SS	0.87
2N4014	511-2N4014	TO-18	NPN Hi-Current Switch	1.10
2N4030	333-2N4030	TO-39	PNP General Purpose SS	0.93
2N4031	511-2N4031	TO-39	PNP General Purpose SS	0.78
2N4032	511-2N4032	TO-39	PNP General Purpose SS	0.78
2N4033	333-2N4033	TO-39	PNP General Purpose SS	0.86
2N4033	511-2N4033	TO-39	PNP General Purpose SS	0.87
2N4034	511-2N4034	TO-18	PNP General Purpose SS	0.78
2N4035	511-2N4035	TO-18	PNP General Purpose SS	0.71
2N4036	333-2N4036	TO-39	PNP General Purpose SS	0.91
2N4036	511-2N4036	TO-39	PNP General Purpose SS	0.92
2N4037	333-2N4037	TO-39	PNP General Purpose SS	0.93
2N4059	592-2N4059	TO-92	PNP General Purpose SS	0.22
2N4123	333-2N4123	TO-92	NPN General Purpose SS	0.26
◆ MMBT4124	333-MMBT4124	SOT-23	NPN General Purpose SS	0.37
◆ MMST4124	592-MMST4124	SOT-23	NPN General Purpose SS	0.28
◆ SST4124	592-SST4124	SOT-23	NPN General Purpose SS	0.26
2N4124	610-2N4124	TO-92	NPN General Purpose SS	0.26
2N4125	333-2N4125	TO-92	PNP General Purpose SS	0.26
2N4125	592-2N4125	TO-92	PNP General Purpose SS	0.28
◆ MMBT4126	333-MMBT4126	SOT-23	PNP General Purpose SS	0.37
2N4126	592-2N4126	TO-92	PNP General Purpose SS	0.33
◆ MMST4126	592-MMST4126	SOT-23	PNP General Purpose SS	0.28
◆ SST4126	592-SST4126	SOT-23	PNP General Purpose SS	0.26
2N4126	610-2N4126	TO-92	PNP General Purpose SS	0.26
PN4143	592-PN4143	TO-92	PNP General Purpose Switch	0.22
2N4150	511-2N4150	TO-39	NPN Transistor	4.23
2N4208	610-2N4208	TO-18	NPN Saturated Switch	1.51
2N4234	333-2N4234	TO-39	PNP General Purpose SS	1.88
2N4237	333-2N4237	TO-39	NPN General Purpose SS	2.20
2N4238	333-2N4238	TO-39	NPN General Purpose SS	2.73
PN4249	610-PN4249	TO-92	PNP Low Level Switch	0.38
PN4250	333-PN4250	TO-92	PNP Low Level Switch	0.27
PN4355	610-PN4355	TO-92	PNP General Purpose Switch	0.28
PN4356	333-PN4356	TO-92	PNP General Purpose Switch	0.28
2N4358	511-2N4358	TO-39	PNP Small Signal	1.36
2N4391	333-2N4391	TO-18	N-Channel JFET	1.06
2N4392	610-2N4392	TO-18	N-Channel JFET	1.28
2N4393	610-2N4393	TO-18	N-Channel JFET	1.11
2N4401	333-2N4401	TO-92	NPN General Purpose SS	1.22
◆ MMBT4401	333-MMBT4401	SOT-23	NPN General Purpose SS	0.37
◆ MMST4401	592-MMST4401	SOT-23	NPN General Purpose SS	0.32
◆ SST4401	592-SST4401	SOT-23	NPN General Purpose SS	0.22
◆ UMT4401	592-UMT4401	SOT-323	NPN General Purpose SS	0.33
2N4401	610-2N4401	TO-92	NPN General Purpose SS	0.19
2N4402	333-2N4402	TO-92	PNP General Purpose SS	0.22
2N4402	592-2N4402	TO-92	PNP General Purpose SS	0.22
2N4403	333-2N4403	TO-92	PNP General Purpose SS	0.22
◆ MMBT4403	333-MMBT4403	SOT-23	PNP General Purpose SS	0.40
◆ MMST4403	592-MMST4403	SOT-23	PNP General Purpose SS	0.32
◆ SST4403	592-SST4403	SOT-23	PNP General Purpose SS	0.22
◆ UMT4403	592-UMT4403	SOT-323	PNP General Purpose SS	0.33
2N4403	610-2N4403	TO-92	PNP General Purpose SS	0.19
2N4410	333-2N4410	TO-92	NPN Low Level SS	0.36
2N4410	592-2N4410	TO-92	NPN General Purpose SS	0.33
2N4416A	610-2N4416A	TO-72	N-Channel JFET	1.11
2N4427	511-2N4427	TO-39	NPN VHF/UHF AM	0.92
2N4896	511-2N4896	TO-39	NPN Power Switch	1.93
2N4899	570-2N4899	TO-66	PNP General Purpose Power	1.57
PN4917	333-PN4917	TO-92	PNP General Purpose Switch	0.38
2N4920	511-2N4920	TO-126	PNP Medium Power	0.60
2N4923	511-2N4923	TO-126	NPN Medium Power	0.60
2N5038	511-2N5038	TO-3	NPN Power Switch	3.68
2N5060	519-2N5060	TO-92	0.8A 30V SCR	0.56
2N5061	519-2N5061	TO-92	0.8A 50V SCR	0.55
2N5062	519-2N5062	TO-92	0.8A 100V SCR	0.55
2N5063	519-2N5063	TO-92	0.8A 150V SCR	0.59
2N5064	519-2N5064	TO-92	0.8A 200V SCR	0.63
2N5086	333-2N5086	TO-92	PNP General Purpose SS	0.33
2N5086	592-2N5086	TO-92	PNP General Purpose SS	0.34
◆ MMST5086	592-MMST5086	SOT-23	PNP General Purpose SS	0.33
2N5087	592-2N5087	TO-92	PNP General Purpose SS	0.28
2N5087	610-2N5087	TO-92	PNP General Purpose SS	0.26
◆ MMST5087	592-MMST5087	SOT-23	PNP General Purpose SS	0.28

Industry Type	MOUSER STOCK NO.	Package	Description	Price Each
				1-99
2N5088	333-2N5088	TO-92	NPN General Purpose SS	0.26
◆ MMST5088	592-MMST5088	SOT-23	NPN General Purpose SS	0.28
2N5089	333-2N5089	TO-92	NPN General Purpose SS	0.26
◆ MMST5089	592-MMST5089	SOT-23	NPN General Purpose SS	0.28
◆ SST5089	592-SST5089	SOT-23	NPN General Purpose SS	0.26
2N5109	511-2N5109	TO-39	NPN Wideband AM	1.66
PN5138	610-PN5138	TO-92	PNP General Purpose Switch	0.32
PN5139	333-PN5139	TO-92	PNP General Purpose Switch	0.20
PN5139	592-PN5139	TO-92	PNP General Purpose Switch	0.22
2N5151	511-2N5151	TO-39	PNP Medium Power	3.59
2N5152	511-2N5152	TO-39	NPN Medium Power	3.03
2N5153	511-2N5153	TO-39	PNP Power Switch	3.91
2N5154	511-2N5154	TO-39	NPN Power Switch	3.45
2N5172	610-2N5172	TO-92	NPN General Purpose SS	0.28
2N5179	511-2N5179	TO-72	NPN VHF Amp SS	0.74
2N5191	511-2N5191	TO-126	NPN Power Switch	0.58
2N5192	511-2N5192	TO-126	NPN Power Switch	0.60
2N5193	511-2N5193	TO-126	PNP Power Switch	0.55
2N5195	511-2N5195	TO-126	PNP Power Switch	0.60
2N5209	333-2N5209	TO-92	NPN General Purpose SS	0.33
2N5210	610-2N5210	TO-92	NPN General Purpose SS	0.28
2N5220	592-2N5220	TO-92	NPN General Purpose SS	0.22
2N5225	333-2N5225	TO-92	NPN General Purpose SS	0.36
2N5226	333-2N5226	TO-92	PNP General Purpose SS	0.32
2N5232A	592-2N5232A	TO-92	NPN General Purpose SS	0.33
2N5306	333-2N5306	TO-92	NPN Darlington Amp	0.25
2N5308	610-2N5308	TO-92	NPN Darlington Amp	0.33
2N5320	511-2N5320	TO-39	NPN General Purpose SS	0.87
2N5321	511-2N5321	TO-39	NPN General Purpose SS	0.83
2N5322	511-2N5322	TO-39	PNP General Purpose SS	0.87
2N5323	511-2N5323	TO-39	PNP General Purpose SS	0.83
2N5339	511-2N5339	TO-39	NPN Medium Power Switch	2.05
2N5400	333-2N5400	TO-92	PNP General Purpose Amp	0.19
PN5400	333-KN5400	TO-92	PNP Hi-Volt Amp	0.18
2N5401	610-2N5401	TO-92	PNP General Purpose Amp	0.19
◆ MMBT5401	333-MMBT5401	SOT-23	PNP General Purpose Amp	0.43
◆ 2N5401S	333-2N5401S	SOT-23	PNP General Purpose Amp	0.43
2N5415	511-2N5415	TO-39	PNP Power Switch	0.92
2N5416	511-2N5416	TO-39	PNP Power Switch	0.99
2N5485	610-2N5485	TO-92	N-Channel JFET	0.39
2N5486	610-2N5486	TO-92	N-Channel JFET	0.39
570-2N5491	570-2N5491	TO-220AA	NPN Power Transistor	1.05
333-2N5550	333-2N5550	TO-92	NPN General Purpose SS	0.22
610-2N5551	610-2N5551	TO-92	NPN General Purpose SS	0.25
◆ MMBT5551	333-MMBT5551	SOT-23	NPN General Purpose SS	0.40
2N5655	511-2N5655	TO-126	NPN Fast Switch Power	0.67
2N5657	511-2N5657	TO-126	NPN Fast Switch Power	0.74
2N5680	511-2N5680	TO-39	PNP Power Switch	1.66
2N5681	511-2N5681	TO-39	NPN Power Switch	1.47
2N5682	511-2N5682	TO-39	NPN Power Switch	1.47
2N5770	333-2N5770	TO-92	NPN RF Amp/Osc	0.37
2N5772	610-2N5772	TO-92	NPN General Purpose SS	0.33
2N5784	511-2N5784	TO-39	NPN Power Transistor	1.66
570-2N5784	570-2N5784	TO-39	NPN Power Transistor	2.36
610-2N5785	610-2N5785	TO-39	NPN Switching SS	1.32
570-2N5786	570-2N5786	TO-39	NPN Power Transistor	2.36
592-2N5817	592-2N5817	TO-92	PNP General Purpose	0.22
610-2N5819	610-2N5819	TO-92	PNP Medium Power	0.32
333-2N5878	333-2N5878	TO-3	NPN General Purpose Amp	1.80
333-2N5881	333-2N5881	TO-3	NPN Power Switch	2.69
333-2N5882	333-2N5882	TO-3	NPN Power Switch	2.81
333-2N5883	333-2N5883	TO-3	PNP Power Switch	2.91
511-2N5884	511-2N5884	TO-3	PNP Power Switch	3.43
333-2N5885	333-2N5885	TO-3	NPN Power Switch	2.85
511-2N5885	511-2N5885	TO-3	NPN Power Switch	3.29
333-2N5886	333-2N5886	TO-3	NPN Power Switch	3.91
511-2N5886	511-2N5886	TO-3	NPN Power Switch	2.93
570-2N5956	570-2N5956	TO-66	PNP Medium Power Switch	1.43
333-2N5961	333-2N5961	TO-92	NPN Low Level SS	0.45
610-2N5962	610-2N5962	TO-92	NPN General Purpose SS	0.25
2N6027	2N6027	TO-92	Programmable Unijunction	0.40
610-2N6028	610-2N6028	TO-92	Programmable Unijunction	0.48
511-2N6034	511-2N6034	TO-126	PNP Darlington	0.55
511-2N6036	511-2N6036	TO-126	PNP Darlington	0.60
511-2N6039	511-2N6039	TO-126	NPN Darlington	0.60
333-2N6041	333-2N6041	TO-220	PNP Darlington Switch	1.15
333-2N6042	333-2N6042	TO-220	PNP Darlington Switch	1.19
333-2N6043	333-2N6043	TO-220	NPN Darlington Switch	1.15
570-2N6044	570-2N6044	TO-220AB	NPN Darlington Switch	2.11
333-2N6051	333-2N6051	TO-3	PNP Darlington	2.85
570-2N6052	570-2N6052	TO-3	PNP Darlington	6.44
570-2N6055	570-2N6055	TO-3	NPN Darlington	2.89
511-2N6059	511-2N6059	TO-3	NPN Darlington	2.19
570-2N6059	570-2N6059			

Transistor, Thyristor, SCR, Mosfet, Hexfet, and Triac Devices "2N" to "DTA"

Manufacturer	Prefix
Central Semiconductor	610
EXL Semiconductor	333
Harris Semiconductor	570

Manufacturer	Prefix
Rohm	592
SGS Thomson	511

◆ Surface Mount Device

For quantities greater than listed, call for quote.

For quantities greater than listed, call for quote.

Industry Type	MOUSER STOCK NO.	Package	Description	Price Each
				1-99
2N6133	570-2N6133	TO-220AB	PNP GP Power	1.23
2N6249	570-2N6249	TO-3	NPN Hi-Volt Power	7.08
2N6284	333-2N6284	TO-3	NPN Darlington Switch	5.63
2N6284	511-2N6284	TO-3	NPN Darlington Switch	4.42
2N6287	511-2N6287	TO-3	PNP Darlington Switch	3.63
2N6287	570-2N6287	TO-3	PNP Darlington Switch	5.63
2N6288	570-2N6288	TO-220AB	NPN Power Switch	0.93
2N6290	570-2N6290	TO-220AB	NPN Power Switch	0.96
2N6292	570-2N6292	TO-220AB	NPN Power Switch	0.96
2N6313	570-2N6313	TO-66	PNP General Purpose Power	1.64
2N6384	610-2N6384	TO-3	NPN Power Darlington	2.45
2N6385	570-2N6385	TO-3	NPN Power Darlington	2.09
2N6386	511-2N6386	TO-220	NPN Power Darlington	0.74
2N6386	570-2N6386	TO-220AB	NPN Power Darlington	1.04
2N6387	333-2N6387	TO-220	NPN Power Darlington	0.84
2N6387	511-2N6387	TO-220	NPN Power Darlington	0.74
2N6387	570-2N6387	TO-220AB	NPN Power Darlington	1.14
2N6388	511-2N6388	TO-220	NPN Power Darlington	0.76
2N6426	610-2N6426	TO-92	NPN Darlington Amp	0.33
2N6427	592-2N6427	TO-92	NPN Darlington Amp	0.33
◆ MMST6428	592-MMST6428	SOT-23	NPN General Purpose SS	0.28
2N6476	570-2N6476	TO-220AB	PNP Medium Power	1.32
2N6486	570-2N6486	TO-220AB	NPN Medium Power	1.27
2N6487	511-2N6487	TO-220	NPN Medium Power	0.71
2N6488	511-2N6488	TO-220	NPN Medium Power	0.74
2N6489	511-2N6489	TO-220	PNP Medium Power	0.78
2N6490	511-2N6490	TO-220	PNP Medium Power	0.81
2N6490	570-2N6490	TO-220AB	PNP Medium Power	1.59
2N6491	570-2N6491	TO-220AB	PNP Medium Power	1.93
2N6496	511-2N6496	TO-3	NPN Hi-Speed Power Switch	4.55
2N6496	570-2N6496	TO-3	NPN Hi-Speed Power Switch	7.02
2N6497	333-2N6497	TO-220	NPN High Voltage Switch	1.98
2N6498	333-2N6498	TO-220	NPN High Voltage Switch	2.11
2N6499	333-2N6499	TO-220	NPN High Voltage Switch	2.23
2N6533	570-2N6533	TO-220AB	NPN Power Darlington	2.71
2N6543	333-2N6543	TO-3	NPN Power Switch	2.48
2N6544	333-2N6544	TO-3	NPN Power Switch	3.67
2N6544	511-2N6544	TO-3	NPN Power Switch	3.19
2N6544	570-2N6544	TO-204AA	NPN Power Switch	4.20
2N6545	333-2N6545	TO-3	NPN Power Switch	3.85
2N6546	333-2N6546	TO-3	NPN Power Switch	5.02
2N6547	333-2N6547	TO-3	NPN Power Switch	5.26
2N6547	511-2N6547	TO-3	NPN Power Switch	4.83
2N6578	570-2N6578	TO-3	NPN Darlington Switch	3.59
2N6594	333-2N6594	TO-3	PNP Power Transistor	1.86
2N6609	333-2N6609	TO-3	PNP Hi-Power Switch	3.25
2N6648	333-2N6648	TO-3	PNP Power Darlington	2.05
2N6648	511-2N6648	TO-3	PNP Power Darlington	1.81
2N6648	570-2N6648	TO-204AA	PNP Power Darlington	2.07
2N6649	333-2N6649	TO-3	PNP Power Darlington	2.18
2N6650	333-2N6650	TO-3	PNP Power Darlington	2.31
2N6650	511-2N6650	TO-3	PNP Power Darlington	1.98
2N6650	570-2N6650	TO-204AA	PNP Power Darlington	2.54
2N6667	570-2N6667	TO-220AB	PNP Power Darlington	1.34
2N6668	333-2N6668	TO-220	PNP Power Darlington	1.67
2N6668	570-2N6668	TO-220AB	PNP Power Darlington	1.66
2N6714	333-2N6714	TO-237	NPN Medium Power	0.41
2N6715	333-2N6715	TO-237	NPN Medium Power	0.73
2N6716	333-2N6716	TO-237	NPN Medium Power	0.41
2N6718	333-2N6718	TO-237	NPN Medium Power	0.41
2N6719	333-2N6719	TO-237	NPN Power Amp	0.86
2N6724	333-2N6724	TO-237	NPN Darlington	0.67
2N6725	333-2N6725	TO-237	NPN Darlington	0.67
2N6726	333-2N6726	TO-237	PNP Darlington	0.69
2N6727	333-2N6727	TO-237	PNP Darlington	0.44
2N6738	570-2N6738	TO-220AB	NPN Power Transistor	3.25
2N6753	570-2N6753	TO-204AA	NPN Hi-Volt	7.02
2N6757	570-2N6757	TO-204	150V 8A MOSFET	3.87
2N6759	570-2N6759	TO-204	350V 4.5A MOSFET	3.93
2N6761	570-2N6761	TO-204	450V 4A MOSFET	3.93
2N6762	570-2N6762	TO-3	500V 4.5A MOSFET	3.93
2N6770	570-2N6770	TO-204	500V 12A MOSFET	9.70
2N6771	570-2N6771	TO-220AB	NPN Power Transistor	1.12
2N6772	570-2N6772	TO-220AB	NPN Power Transistor	1.11
2N6798	570-2N6798	TO-205	200V 5.5A MOSFET	3.02
2N6896	570-2N6896	TO-204	100V 6A MOSFET	3.82
2N6901	570-2N6901	TO-205	Logic LVL FET	1.45
2N7000	333-2N7000	TO-92	N-Chan MOSFET 5V 0.2A	0.65
◆ 2N7002	333-2N7002	SOT-23	N-Chan MOSFET 5V 0.2A	0.65
2N7056	511-2N7056	TO-218	Power MOSFET 200V	8.86
2N7059	511-2N7059	TO-218	Power MOSFET 500V	8.86
2SD313	333-2SD313	TO-220	NPN Power Transistor	1.16
2SD880	333-2SD880	TO-220	NPN Power Transistor	1.16
40251	570-40251	TO-3	NPN Gen Pur Switch / Amp	2.25
40313	570-40313	TO-66	NPN Hi-Speed Switch	1.89
40314	570-40314	TO-39	NPN Hi-Speed Switch	1.41
40346	570-40346	TO-39	NPN Medium Power Switch	1.46
40347	570-40347	TO-39	NPN Hi-Volt Switch	2.36
40347V1	570-40347V1	TO-39	NPN Hi-Volt Switch	1.29
40389	570-40389	TO-39	NPN Hi-Speed Switch	1.09
40390	570-40390	TO-39	NPN Hi-Volt Switch	1.64
40394	570-40394	TO-39	NPN Hi-Speed Switch	1.41

Industry Type	MOUSER STOCK NO.	Package	Description	Price Each
				1-99
40913	570-40913	TO-66	NPN General Purpose Power	2.12
BC182	333-BC182	TO-92	NPN General Purpose SS	0.28
BC212	333-BC212	TO-92	PNP General Purpose SS	0.28
BC237	333-BC237	TO-92	NPN General Purpose SS	0.28
BC238	333-BC238	TO-92	NPN SS Audio Amp	0.18
BC239	333-BC239	TO-92	NPN SS Audio Amp	0.18
BC308	333-BC308	TO-92	PNP SS Audio Amp	0.18
BC309	333-BC309	TO-92	PNP SS Audio Amp	0.18
BC327	333-BC327	TO-92	PNP SS Audio Amp	0.22
BC328	333-BC328	TO-92	PNP SS Audio Amp	0.22
BC337	333-BC337	TO-92	NPN SS Audio Amp	0.22
BC338	333-BC338	TO-92	NPN SS Audio Amp	0.22
BC546	333-BC546	TO-92	NPN SS Hi-Gain	0.18
BC547	333-BC547	TO-92	NPN SS Audio Amp	0.18
BC548	333-BC548	TO-92	NPN SS Audio Amp	0.18
BC549	333-BC549	TO-92	NPN SS Audio Amp	0.18
BC550	333-BC550	TO-92	NPN SS Audio Amp	0.18
BC556	333-BC556	TO-92	PNP SS Hi-Gain	0.18
BC557	333-BC557	TO-92	PNP SS Audio Amp	0.18
BC558	333-BC558	TO-92	PNP SS Audio Amp	0.18
BC559	333-BC559	TO-92	PNP SS Audio Amp	0.18
BC560	333-BC560	TO-92	PNP SS Audio Amp	0.18
BTA06-400B	511-BTA06-400B	TO-220AB	6A 400V Triac	0.92
BTA06-400C	511-BTA06-400C	TO-220AB	6A 400V Triac	0.92
BTA06-600B	511-BTA06-600B	TO-220AB	6A 600V Triac	1.08
BTA06-600C	511-BTA06-600C	TO-220AB	6A 600V Triac	1.08
BTA08-400B	511-BTA08-400B	TO-220AB	8A 400V Triac	0.92
BTA08-400C	511-BTA08-400C	TO-220AB	8A 400V Triac	0.97
BTA08-600B	511-BTA08-600B	TO-220AB	8A 600V Triac	1.08
BTA08-600C	511-BTA08-600C	TO-220AB	8A 600V Triac	1.08
BTA10-400B	511-BTA10-400B	TO-220AB	10A 400V Triac	0.99
BTA10-400C	511-BTA10-400C	TO-220AB	10A 400V Triac	1.01
BTA10-600B	511-BTA10-600B	TO-220AB	10A 600V Triac	1.24
BTA10-600C	511-BTA10-600C	TO-220AB	10A 600V Triac	1.24
BTA12-400B	511-BTA12-400B	TO-220AB	12A 400V Triac	1.13
BTA12-400C	511-BTA12-400C	TO-220AB	12A 400V Triac	1.13
BTA12-600B	511-BTA12-600B	TO-220AB	12A 600V Triac	1.33
BTA12-600BW	511-BTA12-600BW	TO-220AB	12A 600V Triac	1.10
BTA12-600C	511-BTA12-600C	TO-220AB	12A 600V Triac	1.20
BTA12-600CWRG	511-BTA12-600CWRG	TO-220AB	12A 600V Triac	1.20
BTA16-400B	511-BTA16-400B	TO-220AB	16A 400V Triac	1.45
BTA16-600B	511-BTA16-600B	TO-220AB	16A 600V Triac	1.56
BTA16-600BW	511-BTA16-600BW	TO-220AB	16A 600V Triac	1.63
BTA16-600CW	511-BTA16-600CW	TO-220AB	16A 600V Triac	1.89
BTA26-600B	511-BTA26-600B	TO-220AB	25A 600V Triac	5.52
BTA41-600B	511-BTA41-600B	TO-220AB	40A 600V Triac	8.63
BTB08-600BW	511-BTB08-600BW	TO-220AB	8A 600V Triac	0.92
BTB08-600C	511-BTB08-600C	TO-220AB	8A 600V Triac	1.01
BTB10-600BW	511-BTB10-600BW	TO-220AB	10A 600V Triac	0.97
BTB12-600B	511-BTB12-600B	TO-220AB	12A 600V Triac	1.15
BTB12-600BW	511-BTB12-600BW	TO-220AB	12A 600V Triac	0.99
BTB16-600B	511-BTB16-600B	TO-220AB	16A 600V Triac	1.36
BTB16-600BW	511-BTB16-600BW	TO-220AB	16A 600V Triac	1.27
BTB24-600B	511-BTB24-600B	TO-220AB	25A 600V Triac	2.05
BTW69-1200	511-BTW69-1200	TO-3P	50A 1200V Triac	8.07
BU407	333-BU407	TO-220	NPN Power Amp	1.40
BU408	333-BU408	TO-220	NPN Power Switch	1.67
BUZ11	511-BUZ11	TO-220	N-Ch 50V 36A MOSFET	2.37
BUZ71A	511-BUZ71A	TO-220	N-Ch 50V 13A MOSFET	0.97
BUZ71A	570-BUZ71A	TO-220AB	N-Ch 800V 3.8A MOSFET	0.70
BUZ80A	511-BUZ80A	TO-220	N-Ch 50V 13A MOSFET	2.48
◆ CLP200M	511-CLP200M	SOP-10	Ring Relay and Line Card	4.37
◆ CMPT2222A	610-CMPT2222A	SOT-23	NPN General Purpose SS	0.28
◆ CMPT2369	610-CMPT2369	SOT-23	NPN Fast Switching SS	0.29
◆ CMPT3904	610-CMPT3904	SOT-23	NPN General Purpose SS	0.31
◆ CMPTA13	610-CMPTA13	SOT-23	NPN Darlington Amp	0.31
◆ CMPTH10	610-CMPTH10	SOT-23	NPN RF 1 Amp Osc	0.35
D40K1	570-D40K1	TO-202AB	NPN Power Darlington	1.10
D44D2	570-D44D2	TO-220AB	NPN Darlington Power	1.41
D44D3	570-D44D3	TO-220AB	NPN Darlington Power	1.36
D44D4	570-D44D4	TO-220AB	NPN Darlington Power	1.93
D44D6	570-D44D6	TO-220AB	NPN Darlington Power	2.23
D44E2	570-D44E2	TO-220AB	NPN Darlington Power	1.84
D44E3	570-D44E3	TO-220AB	NPN Darlington Power	2.27
D44H11	570-D44H11	TO-220AB	NPN General Purpose Power	1.25
D44VH10	570-D44VH10	TO-220AB	NPN General Purpose Power	1.45
D45C8	570-D45C8	TO-220AB	PNP General Purpose Power	1.25
D45E1	570-D45E1	TO-220AB	PNP Darlington Power	2.32
D45H11	570-D45H11	TO-220AB	PNP General Purpose Power	1.34
D45VH10	570-D45VH10	TO-220AB	PNP General Purpose Power	2.52
◆ DA108S1	511-DA108S1	SO-8	8 Diode Array	0.87
◆ DA112S1	511-DA112S1	SO-8	12 Diode Array	1.62
DB3	511-DB3	DO-35	32V 100mA Diac	0.18
◆ DTA114EK	592-DTA114EK	SOT-23	PNP 100mA 10K/10K	0.28
◆ DTA114TK	592-DTA114TK	SOT-23	PNP 100mA 10K/Open	0.28
◆ DTA114YK	592-DTA114YK	SOT-23	PNP 100mA 10K/50K	0.26
◆ DTA123EK	592-DTA123EK	SOT-23	PNP 100mA 2.2K/2.2K	0.28
◆ DTA123JK	592-DTA123JK	SOT-23	PNP 100mA 2.2K/47K	0.28
◆ DTA124EK	592-DTA124EK	SOT-23	PNP 100mA 22K/22K	0.28
◆ DTA124XK	592-DTA124XK	SOT-23	PNP 100mA 22K/44K	0.26
◆ DTA143EK	592-DTA143EK	SOT-23	PNP 100mA 4.7K/4.7K	0.28
◆ DTA143XK	592-DTA143XK	SOT-23	PNP 100mA 4.7K/9.4K	0.26

Manufacturer	Prefix
EXL Semiconductor	333
Harris Semiconductor	570
Rohm	592

Transistor, Thyristor, SCR, Mosfet, Hexfet, and Triac Devices

"DTA" to "MMST"

Manufacturer	Prefix
SGS Thomson	511
Teccor	519

◆ Surface Mount Device

For quantities greater than listed, call for quote.

For quantities greater than listed, call for quote.

Industry Type	MOUSER STOCK NO.	Package	Description	Price Each
				1-99
◆ DTA143ZK	592-DTA143ZK	SOT-23	PNP 100mA 4.7K/4.7K	0.26
◆ DTA144EK	592-DTA144EK	SOT-23	PNP 100mA 47K/47K	0.28
◆ DTA144WK	592-DTA144WK	SOT-23	PNP 100mA 47K/23.5K	0.26
◆ DTC114EK	592-DTC114EK	SOT-23	NPN 100mA 10K/10K	0.28
◆ DTC114TK	592-DTC114TK	SOT-23	NPN 100mA 10K/Open	0.28
◆ DTC114WK	592-DTC114WK	SOT-23	NPN 100mA 10K/5K	0.26
◆ DTC114YK	592-DTC114YK	SOT-23	NPN 100mA 10K/50K	0.28
◆ DTC123JK	592-DTC123JK	SOT-23	NPN 100mA 2.2K/47K	0.28
◆ DTC124EK	592-DTC124EK	SOT-23	NPN 100mA 22K/22K	0.28
◆ DTC124XK	592-DTC124XK	SOT-23	NPN 100mA 22K/44K	0.26
◆ DTC143EK	592-DTC143EK	SOT-23	NPN 100mA 4.7K/4.7K	0.28
◆ DTC143TK	592-DTC143TK	SOT-23	NPN 100mA 4.7K/Open	0.28
◆ DTC143XK	592-DTC143XK	SOT-23	NPN 100mA 4.7K/9.4K	0.26
◆ DTC143ZK	592-DTC143ZK	SOT-23	NPN 100mA 4.7K/47K	0.26
◆ DTC144EK	592-DTC144EK	SOT-23	NPN 100mA 47K/47K	0.28
◆ DTC144WK	592-DTC144WK	SOT-23	NPN 100mA 47K/23.5K	0.26
◆ EC103B	519-EC103B	TO-92	0.8A 200V SCR	0.52
◆ EC103D	519-EC103D	TO-92	0.8A 400V SCR	0.56
◆ ESDA6V1S3	511-ESDA6V1S3	SO-20	18 Unidirectional Trisil	4.55
◆ ESDA6V1U1	511-ESDA6V1U1	SO-8	6 Unidirectional Trisil	1.61
◆ FLO01-200D	511-FLO01-200D	SOT-82	Capacitive Ignition Control	0.50
◆ FLO02-200D	511-FLO02-200D	SOT-82	Capacitive Ignition Control	0.78
◆ GESS5819	570-GESS5819	TO-92	PNP Small Signal	0.19
◆ ICC01-400B5	511-ICC01-400B5	SO-16	Sm Eng Ignition Control	1.50
◆ ICC03-400B2	511-ICC03-400B2	DIP-8	Sm Eng Ignition Control	1.29
◆ IRF243	570-IRF243	TO-204AE	N-CH MOSFET 16A 150V	5.53
◆ IRF250	570-IRF250	TO-204AE	N-CH MOSFET 30A 200V	7.32
◆ IRF320	333-IRF320	TO-3	Power MOSFET 300V 3.0A	3.45
◆ IRF320	570-IRF320	TO-204AA	N-CH MOSFET 3.3A 400V	3.43
◆ IRF330	333-IRF330	TO-3	Power MOSFET 400V 5.5A	4.71
◆ IRF330	570-IRF330	TO-204AA	N-CH MOSFET 5.5A 400V	4.32
◆ IRF340	570-IRF340	TO-204AA	N-CH MOSFET 10A 400V	5.30
◆ IRF350	570-IRF350	TO-204AA	N-CH MOSFET 15A 400V	7.21
◆ IRF420	333-IRF420	TO-3	Power MOSFET 500V 2.5A	3.60
◆ IRF420	570-IRF420	TO-204AA	N-CH MOSFET 2.5A 500V	3.43
◆ IRF430	333-IRF430	TO-3	Power MOSFET 500V 4.5A	5.17
◆ IRF430	570-IRF430	TO-204AA	N-CH MOSFET 4.5A 500V	4.32
◆ IRF440	333-IRF440	TO-3	Power MOSFET 500V 8A	6.12
◆ IRF440	570-IRF440	TO-204AA	N-CH MOSFET 8.0A 500V	5.34
◆ IRF450	570-IRF450	TO-204AA	N-CH MOSFET 13A 500V	6.94
◆ IRF510	511-IRF510	TO-220AB	Power MOSFET 100V	0.97
◆ IRF510	570-IRF510	TO-220AB	N-CH MOSFET 5.6A 100V	1.00
◆ IRF511	333-IRF511	TO-220	Power MOSFET 60V 4A	1.45
◆ IRF520	333-IRF520	TO-220	Power MOSFET 100V 8A	1.83
◆ IRF520	511-IRF520	TO-220	Power MOSFET 100V 9.2A	1.08
◆ IRF520	570-IRF520	TO-220AB	N-CH MOSFET 9.2A 100V	1.48
◆ IRF530	333-IRF530	TO-220	Power MOSFET 100V 14A	2.31
◆ IRF530	511-IRF530	TO-220	Power MOSFET 100V	1.50
◆ IRF530	570-IRF530	TO-220AB	N-CH MOSFET 100V 14A	1.98
◆ IRF540	333-IRF540	TO-220	Power MOSFET 100V 27A	3.49
◆ IRF540	511-IRF540	TO-220	Power MOSFET 100V	2.48
◆ IRF610	570-IRF610	TO-220AB	N-CH MOSFET 3.3A 200V	1.00
◆ IRF620	511-IRF620	TO-220	Power MOSFET 200V	1.08
◆ IRF630	511-IRF630	TO-220	Power MOSFET 200V	1.77
◆ IRF640	511-IRF640	TO-220	Power MOSFET 200V	2.74
◆ IRF640	570-IRF640	TO-220AB	N-CH MOSFET 18A 200V	2.71
◆ IRF711	333-IRF711	TO-220	Power MOSFET 350V 1.5A	1.57
◆ IRF720	570-IRF720	TO-220AB	N-CH MOSFET 3.3A 400V	1.64
◆ IRF730	511-IRF730	TO-220	Power MOSFET 400V	1.84
◆ IRF740	333-IRF740	TO-220	Power MOSFET 400V 10A	3.95
◆ IRF740	511-IRF740	TO-220	Power MOSFET 400V	2.74
◆ IRF740	570-IRF740	TO-220AB	N-CH MOSFET 10A 400V	3.14
◆ IRF820	511-IRF820	TO-220	Power MOSFET 500V	1.36
◆ IRF820	570-IRF820	TO-220AB	N-CH MOSFET 2.5A 500V	1.64
◆ IRF830	511-IRF830	TO-220	Power MOSFET 500V 4.5A	1.84
◆ IRF840	333-IRF840	TO-220	N-CH MOSFET 8.0A 500V	3.38
◆ IRF840	570-IRF840	TO-220AB	N-CH MOSFET 8.0A 500V	3.14
◆ IRF9130	570-IRF9130	TO-204AA	P-CH MOSFET 12A 100V	4.32
◆ IRF9140	570-IRF9140	TO-204AA	P-CH MOSFET 19A 100V	5.80
◆ IRF9142	584-IRF9142	TO-3	HEXFET 100V 15A	10.03
◆ IRF9510	570-IRF9510	TO-220AB	P-CH MOSFET 3.0A 100V	1.52
◆ IRF9520	570-IRF9520	TO-220AB	P-CH MOSFET 6A 100V	1.87
◆ IRF9530	570-IRF9530	TO-220AB	P-CH MOSFET 12A 100V	2.36
◆ IRF9540	570-IRF9540	TO-220AB	P-CH MOSFET 19A 100V	2.97
◆ IRFD120	570-IRFD120	DIP-4	N-CH MOSFET 0.5A 100V	0.91
◆ IRFD010	584-IRFD010	HD-1	HEXFET 50V 1.7A	1.48
◆ IRFD110	570-IRFD110	DIP-4	N-CH MOSFET 1.0A 100V	1.20
◆ IRFD113	570-IRFD113	DIP-4	N-CH MOSFET 1.0A 100V	0.91
◆ IRFD120	570-IRFD120	DIP-4	N-CH MOSFET 1.3A 100V	1.62
◆ IRFD123	570-IRFD123	DIP-4	N-CH MOSFET 1.1A 80V	1.32
◆ IRFD210	570-IRFD210	DIP-4	N-CH MOSFET 0.6A 200V	1.41
◆ IRFD220	570-IRFD220	DIP-4	N-CH MOSFET 0.8A 200V	1.84
◆ IRFD9022	584-IRFD9022	HD-1	HEXFET 50V 1.4A	2.36
◆ IRFD9113	570-IRFD9113	DIP-4	P-CH MOSFET 0.6A 80V	0.82
◆ IRFD9120	570-IRFD9120	DIP-4	P-CH MOSFET 1.0A 100V	1.43
◆ IRFD9123	570-IRFD9123	DIP-4	P-CH MOSFET 0.8A 80V	1.21
◆ IRFD9223	584-IRFD9223	HD-1	HEXFET 150V 0.45A	2.70
◆ IRFF110	570-IRFF110	TO-205AF	N-CH MOSFET 3.5A 100V	1.71
◆ IRFF120	570-IRFF120	TO-205AF	N-CH MOSFET 6.0A 100V	2.36
◆ IRFF130	570-IRFF130	TO-205AF	N-CH MOSFET 8.0A 100V	3.66
◆ IRFF133	584-IRFF133	TO-39	HEXFET 60V 7A	5.02
◆ IRFF210	570-IRFF210	TO-205AF	N-CH MOSFET 2.2A 200V	1.75

Industry Type	MOUSER STOCK NO.	Package	Description	Price Each
				1-99
◆ IRFF220	570-IRFF220	TO-205AF	HEXFET 200V 3A	2.26
◆ IRFF230	570-IRFF230	TO-205AF	N-CH MOSFET 3.5A 200V	3.75
◆ IRFF232	584-IRFF232	TO-39	HEXFET 200V 4.5A	7.00
◆ IRFF233	584-IRFF233	TO-39	HEXFET 150V 4.5A	5.41
◆ IRFF330	570-IRFF330	TO-205AF	N-CH MOSFET 3.5A 400V	3.82
◆ IRFF332	584-IRFF332	TO-39	HEXFET 400V 3A	7.07
◆ IRFF333	584-IRFF333	TO-39	HEXFET 350V 3A	6.10
◆ IRFF420	570-IRFF420	TO-205AF	N-CH MOSFET 1.6A 500V	2.37
◆ IRFF430	570-IRFF430	TO-205AF	N-CH MOSFET 2.75A 500V	3.82
◆ IRFF9121	584-IRFF9121	TO-39	HEXFET 60V 4A	4.68
◆ IRFF9130	570-IRFF9130	TO-205AF	P-CH MOSFET 6.5A 80V	3.70
◆ IRFF9132	584-IRFF9132	TO-39	HEXFET 100V 5.5A	9.15
◆ IRFF9133	584-IRFF9133	TO-39	HEXFET 60V 5.5A	8.21
◆ IRFF9213	584-IRFF9213	TO-39	HEXFET 150V 1.3A	3.81
◆ IRFF9220	570-IRFF9220	TO-205AF	P-CH MOSFET 2.5A 200V	3.50
◆ IRFF9221	584-IRFF9221	TO-39	HEXFET 150V 2.5A	4.86
◆ IRFF9230	570-IRFF9230	TO-205AF	P-CH MOSFET 4.0A 200V	6.17
◆ IRFF9231	584-IRFF9231	TO-39	HEXFET 150V 4A	9.03
◆ IRFF9232	584-IRFF9232	TO-39	HEXFET 200V 3.5A	9.45
◆ IRFF9233	584-IRFF9233	TO-39	HEXFET 150V 3.5A	8.19
◆ IRFP150	511-IRFP150	TO-218	N-CH MOSFET 40A 100V	7.30
◆ IRFP150	570-IRFP150	TO-247	N-CH MOSFET 40A 100V	6.01
◆ IRFP250	570-IRFP250	TO-247	N-CH MOSFET 33A 200V	6.64
◆ IRFP350	570-IRFP350	TO-247	N-CH MOSFET 16A 400V	6.64
◆ IRFP360	570-IRFP360	TO-247	N-CH MOSFET 23A 400V	12.91
◆ IRFP450	570-IRFP450	TO-247	N-CH MOSFET 14A 500V	6.01
◆ IRFP460	570-IRFP460	TO-247	N-CH MOSFET 20A 500V	12.09
◆ IRFP9140	570-IRFP9140	TO-247	P-CH MOSFET 19A 100V	5.36
◆ IRFP9240	570-IRFP9240	TO-247	P-CH MOSFET 12A 200V	5.02
◆ IRFU120	570-IRFU120	TO-251AA	N-CH MOSFET 8.4A 100V	1.16
◆ IRFZ20	511-IRFZ20	TO-220	Power MOSFET 50V	1.08
◆ IRFZ22	511-IRFZ22	TO-220	Power MOSFET 50V	0.83
◆ IRFZ30	584-IRFZ30	TO-220AB	HEXFET 50V	2.45
◆ IRFZ40	333-IRFZ40	TO-220	N-CH MOSFET 50A 50V	2.88
◆ IRFZ40	511-IRFZ40	TO-220	Power MOSFET 50V	2.58
◆ IRFZ40	584-IRFZ40	TO-220AB	HEXFET 50V	3.70
◆ IRFZ44	333-IRFZ44	TO-220	N-CH MOSFET 50A 60V	3.01
◆ IRLZ44	333-IRLZ44	TO-220	N-CH MOSFET 50A 60V	3.51
◆ ITA25B1	511-ITA25B1	SO-8	4 Bidirectional Trisil	1.52
◆ ITA25B3	511-ITA25B3	SO-20	8 Bidirectional Trisil	3.04
◆ KNS400	333-KNS400	TO-92	NPN Medium Power	0.18
◆ KSP2222A	333-KSP2222A	TO-92	NPN General Purpose SW	0.18
◆ KSP2907A	333-KSP2907A	TO-92	PNP General Purpose SW	0.18
◆ KSP92	333-KSP92	TO-92	PNP Small Signal	0.25
◆ KTA1266	333-KTA1266	TO-92	PNP General Purpose Switch	0.18
◆ KTA1268	333-KTA1268	TO-92	PNP Hi-Volt Amp	0.35
◆ KTA1270	333-KTA1270	TO-92	PNP General Purpose Switch	0.35
◆ KTA1271	333-KTA1271	TO-92	PNP Hi-Current	0.33
◆ KTC3198	333-KTC3198	TO-92	NPN General Purpose Switch	0.15
◆ KTC3203	333-KTC3203	TO-92	NPN Hi-Current SS	0.33
◆ 2N2369	333-KTN2369	TO-92	NPN Fast Switch SS	0.40
◆ L201E3	519-L201E3	TO-92	0.8A 200V Triac	1.06
◆ L401E3	519-L401E3	TO-92	1A 400V Triac	1.22
◆ L2004F31	519-L2004F31	TO-202	4A 200V Triac	1.33
◆ L2004F51	519-L2004F51	TO-202	4A 200V Triac	1.22
◆ L4004F31	519-L4004F31	TO-202	4A 400V Triac	1.42
◆ LCP1511D	511-LCP1511D	SO-8	Telecom Line Card	1.52
◆ MJ802	511-MJ802	TO-3	NPN General Purpose Power	3.31
◆ MJ2501	511-MJ2501	TO-3	PNP Darlingon Power	2.00
◆ MJ2955	511-MJ2955	TO-3	PNP General Purpose Power	1.45
◆ MJ3001	511-MJ3001	TO-3	NPN Darlingon Power	1.98
◆ MJ4030	333-MJ4030	TO-3	PNP General Purpose Power	3.43
◆ MJ4033	333-MJ4033	TO-3	NPN General Purpose Power	3.55
◆ MJ4035	511-MJ4035	TO-3	NPN Darlingon Power	2.53
◆ MJ4502	333-MJ4502	TO-3	PNP General Purpose Power	3.36
◆ MJ4502	511-MJ4502	TO-3	PNP General Purpose Power	3.43
◆ MJ10005	511-MJ10005	TO-3	NPN Darlingon Power	5.29
◆ MJ15003	333-MJ15003	TO-3	NPN Transistor 80V	6.47
◆ MJ15022	570-MJ15022	TO-3	NPN Hi-Power Switch	5.36
◆ MJ15024	570-MJ15024	TO-3	NPN Hi-Power Switch	6.00
◆ MJE172	511-MJE172	SOT-32	PNP Gen Pur Power Switch	0.53
◆ MJE182	511-MJE182	SOT-32	NPN Gen Pur Power Switch	0.53
◆ MJE210	511-MJE210	SOT-32	PNP Gen Pur Power Switch	0.55
◆ MJE340	511-MJE340	SOT-32	NPN Fast Switch Power	0.60
◆ MJE350	511-MJE350	SOT-32	PNP Fast Switch Power	0.58
◆ MJE370	511-MJE370	SOT-32	NPN Gen Pur Power Switch	0.55
◆ MJE371	511-MJE371	SOT-32	PNP Gen Pur Power Switch	0.58
◆ MJE521	511-MJE521	SOT-32	NPN Gen Pur Power Switch	0.58
◆ MJE802	511-MJE802	SOT-32	NPN Darlingon Power	0.60
◆ MJE2955T	511-MJE2955T	TO-220	PNP Gen Pur Power Switch	0.71
◆ MJE3055T	511-MJE3055T	TO-220	NPN Gen Pur Power Switch	0.71
◆ MJE3439	511-MJE3439	SOT-32	NPN Fast Switch Power	0.74
◆ MJE3440	511-MJE3440	SOT-32	NPN Fast Switch Power	0.67
◆ MJE13003	511-MJE13003	SOT-32	NPN Fast Switch Power	0.97
◆ MJE13004	610-MJE13004	TO-220	NPN Fast Switch Power	1.55
◆ MJE13005	333-MJE13005	TO-220	NPN Fast Switch Power	1.24
◆ MJE13005	511-MJE13005	TO-220	NPN Fast Switch Power	1.38
◆				

Transistor, Thyristor, SCR, Mosfet, Hexfet, and Triac Devices "MMST" to "RFP"

Manufacturer	Prefix
Central Semiconductor	610
EXL Semiconductor	333
Harris Semiconductor	570

Manufacturer	Prefix
Rohm	592
SGS Thomson	511

◆ Surface Mount Device

For quantities greater than listed, call for quote.

For quantities greater than listed, call for quote.

Industry Type	MOUSER STOCK NO.	Package	Description	Price Each
				1-99
◆ MMST2222A	592-MMST2222A	SOT-23	NPN General Purpose	0.32
◆ MMBT2369A	333-MMBT2369A	SOT-23	NPN Fast Switch SS	0.32
◆ MMST2907	592-MMST2907	SOT-23	PNP General Purpose SS	0.28
◆ MMBT2907A	333-MMBT2907A	SOT-23	PNP General Purpose	0.35
◆ MMST2907A	592-MMST2907A	SOT-23	PNP General Purpose	0.32
◆ MMBT3904	592-MMST3904	SOT-23	NPN General Purpose SS	0.32
◆ MMBT3906	333-MMBT3906	SOT-23	PNP General Purpose SS	0.24
◆ MMST3906	592-MMST3906	SOT-23	PNP General Purpose	0.32
◆ MMBT4124	333-MMBT4124	SOT-23	NPN General Purpose	0.37
◆ MMST4124	592-MMST4124	SOT-23	NPN General Purpose	0.28
◆ MMBT4126	333-MMBT4126	SOT-23	PNP General Purpose	0.37
◆ MMST4126	592-MMST4126	SOT-23	PNP General Purpose	0.28
◆ MMBT4401	333-MMBT4401	SOT-23	NPN General Purpose	0.37
◆ MMST4401	592-MMST4401	SOT-23	NPN General Purpose	0.32
◆ MMBT4403	333-MMBT4403	SOT-23	PNP General Purpose	0.40
◆ MMST4403	592-MMST4403	SOT-23	PNP General Purpose	0.32
◆ MMST5086	592-MMST5086	SOT-23	PNP General Purpose	0.33
◆ MMST5087	592-MMST5087	SOT-23	PNP General Purpose SS	0.28
◆ MMST5088	592-MMST5088	SOT-23	NPN General Purpose	0.28
◆ MMST5089	592-MMST5089	SOT-23	NPN General Purpose SS	0.28
◆ MMBT5401	333-MMBT5401	SOT-23	PNP General Purpose	0.43
◆ MMBT5551	333-MMBT5551	SOT-23	NPN General Purpose SS	0.40
◆ MMST6428	592-MMST6428	SOT-23	NPN General Purpose SS	0.28
◆ MMST8098	592-MMST8098	SOT-23	PNP General Purpose SS	0.28
◆ MMBTA05	333-MMBTA05	SOT-23	NPN Medium Power	0.31
◆ MMBTA06	333-MMBTA06	SOT-23	NPN Medium Power	0.31
◆ MMSTA06	592-MMSTA06	SOT-23	NPN Darlington Amp	0.32
◆ MMBTA14	333-MMBTA14	SOT-23	NPN Darlington Amp	0.31
◆ MMSTA14	592-MMSTA14	SOT-23	NPN Darlington Amp	0.32
◆ MMSTA20	592-MMSTA20	SOT-23	NPN General Purpose SS	0.32
◆ MMSTA28	592-MMSTA28	SOT-23	NPN Darlington Amp	0.32
◆ MMSTA42	333-MMBTA42	SOT-23	NPN Small Signal	0.28
◆ MMBTA43	333-MMBTA43	SOT-23	NPN Small Signal	0.28
◆ MMSTA56	592-MMSTA56	SOT-23	PNP Medium Power	0.48
◆ MMSTA63	592-MMSTA63	SOT-23	PNP Darlington Amp	0.40
◆ MMSTA64	592-MMSTA64	SOT-23	PNP Darlington Amp	0.35
◆ MMSTA70	592-MMSTA70	SOT-23	PNP General Purpose SS	0.20
◆ MMSTA92	333-MMBTA92	SOT-23	NPN Quad Transistor	0.28
◆ MPQ2907	333-MPQ2907	TO-116	PNP Quad Transistor	1.51
◆ MPQ3904	333-MPQ3904	TO-116	NPN Quad Transistor	1.51
◆ MPQ3906	333-MPQ3906	TO-116	NPN Quad Transistor	1.51
◆ MPS2712	592-MPS2712	TO-92	NPN General Purpose SS	0.22
◆ MPS2924	333-MPS2924	TO-92	NPN General Purpose SS	0.32
◆ MPS3392	333-MPS3392	TO-92	NPN General Purpose SS	0.41
◆ MPS3393	333-MPS3393	TO-92	NPN General Purpose SS	0.35
◆ MPS3394	592-MPS3394	TO-92	NPN General Purpose SS	0.22
◆ MPS3704	610-MPS3704	TO-92	NPN General Purpose Switch	0.37
◆ MPS3706	592-MPS3706	TO-92	NPN General Purpose SS	0.24
◆ MPS3707	592-MPS3707	TO-92	NPN General Purpose SS	0.24
◆ MPS3708	592-MPS3708	TO-92	NPN General Purpose SS	0.24
◆ MPS3710	592-MPS3710	TO-92	NPN General Purpose SS	0.24
◆ MPS3718	592-MPS3718	TO-92	NPN General Purpose SS	0.24
◆ MPS4249	592-MPS4249	TO-92	PNP General Purpose	0.34
◆ MPS5305	592-MPS5305	TO-92	NPN Darlington Amp	0.26
◆ MPS5306	592-MPS5306	TO-92	NPN Darlington Amp	0.26
◆ MPS5307	592-MPS5307	TO-92	NPN Darlington Amp	0.26
◆ MPS6513	592-MPS6513	TO-92	NPN General Purpose SS	0.22
◆ MPS6514	333-MPS6514	TO-92	NPN General Purpose Switch	0.27
◆ MPS6515	333-MPS6515	TO-92	NPN General Purpose Switch	0.27
◆ MPS6517	333-MPS6517	TO-92	PNP General Purpose SS	0.28
◆ MPS6519	610-MPS6519	TO-92	PNP General Purpose SS	0.29
◆ MPS6520	333-MPS6520	TO-92	NPN General Purpose SS	0.23
◆ MPS6521	333-MPS6521	TO-92	NPN General Purpose SS	0.36
◆ MPS6522	592-MPS6522	TO-92	NPN General Purpose Switch	0.22
◆ MPS6531	610-MPS6531	TO-92	NPN General Purpose Switch	0.29
◆ MPS6532	592-MPS6532	TO-92	NPN General Purpose SS	0.24
◆ MPS6534	610-MPS6534	TO-92	PNP General Purpose SS	0.29
◆ MPS6535	592-MPS6535	TO-92	PNP General Purpose SS	0.24
◆ MPS6560	333-MPS6560	TO-92	NPN General Purpose SS	0.31
◆ MPS6560	592-MPS6560	TO-92	NPN Medium Power	0.22
◆ MPS6561	333-MPS6561	TO-92	NPN Medium Power	0.29
◆ MPS6562	333-MPS6562	TO-92	PNP Medium Power	0.29
◆ MPS6562	592-MPS6562	TO-92	PNP Medium Power Amp	0.20
◆ MPS6566	592-MPS6566	TO-92	NPN General Purpose SS	0.22
◆ MPS8097	592-MPS8097	TO-92	PNP General Purpose SS	0.29
◆ MPS9418	333-MPS9418	TO-92	NPN General Purpose SS	0.30
◆ MMBTA05	333-MMBTA05	SOT-23	NPN Medium Power	0.31
◆ SSTA05	592-SSTA05	SOT-23	NPN Medium Power	0.30
◆ MPQA06	610-MPQA06	TO-92	NPN Medium Power	0.23
◆ MMBTA06	592-MMSTA06	SOT-23	NPN Medium Power	0.32
◆ SSTA06	592-SSTA06	SOT-23	NPN Medium Power	0.35
◆ MPQA09	592-MPQA09	TO-92	NPN General Purpose SS	0.34
◆ MPQA10	333-MPQA10	TO-92	NPN General Purpose Switch	0.29
◆ MPQA12	333-MPQA12	TO-92	NPN Darlington Amp	0.32
◆ MPQA13	610-MPQA13	TO-92	NPN Darlington Amp	0.25
◆ SSTA13	592-SSTA13	SOT-23	NPN Darlington Amp	0.35
◆ CMPTA13	610-CMPTA13	SOT-23	NPN Darlington Amp	0.31
◆ MPQA14	610-MPQA14	TO-92	NPN Darlington Amp	0.25
◆ MMBTA14	333-MMBTA14	SOT-23	NPN Darlington Amp	0.32
◆ MMSTA14	592-MMSTA14	SOT-23	NPN Darlington Amp	0.32
◆ RXTA14	592-RXTA14	SOT-89	NPN Darlington Amp	0.56
◆ SSTA14	592-SSTA14	SOT-23	NPN General Purpose SS	0.30
◆ MPQA18	610-MPQA18	TO-92	NPN General Purpose SS	0.30

Industry Type	MOUSER STOCK NO.	Package	Description	Price Each
				1-99
◆ MPQA20	610-MPQA20	TO-92	NPN General Purpose SS	0.34
◆ MMSTA20	592-MMSTA20	SOT-23	NPN General Purpose SS	0.32
◆ SSTA20	592-SSTA20	SOT-23	NPN General Purpose SS	0.30
◆ MPQA26	610-MPQA26	TO-92	NPN Darlington Amp	0.34
◆ MPQA28	592-MPQA28	TO-92	NPN Darlington Amp	0.34
◆ MMSTA28	592-MMSTA28	SOT-23	NPN Darlington Amp	0.32
◆ RXTA28	592-RXTA28	SOT-89	NPN Darlington Amp	0.65
◆ SSTA28	592-SSTA28	SOT-23	NPN Darlington Amp	0.35
◆ MPQA29	610-MPQA29	TO-92	NPN Darlington Amp	0.34
◆ MPQA42	333-MPQA42	TO-92	NPN Small Signal	0.25
◆ MMBTA42	333-MMBTA42	SOT-23	NPN Small Signal	0.28
◆ MPQA43	333-MPQA43	TO-92	NPN Small Signal	0.25
◆ MMBTA43	333-MMBTA43	SOT-23	NPN Small Signal	0.28
◆ MPQA55	610-MPQA55	TO-92	PNP Medium Power	0.24
◆ MPQA55	592-MPQA55	TO-92	PNP Medium Power	0.34
◆ MMSTA56	592-MMSTA56	SOT-23	PNP Medium Power	0.48
◆ SSTA56	592-SSTA56	SOT-23	PNP Darlington Amp	0.35
◆ MPQA56	610-MPQA56	TO-92	PNP Medium Power	0.20
◆ MMSTA63	592-MMSTA63	SOT-23	PNP Darlington Amp	0.40
◆ MPQA64	610-MPQA64	TO-92	PNP General Purpose Darl	0.34
◆ MMSTA64	592-MMSTA64	SOT-23	PNP Darlington Amp	0.35
◆ SSTA65	592-SSTA65	SOT-23	PNP Darlington Amp	0.28
◆ MPQA70	592-MPQA70	TO-92	PNP General Purpose SS	0.34
◆ MMSTA70	592-MMSTA70	SOT-23	PNP General Purpose SS	0.20
◆ RXTA76	592-RXTA76	SOT-89	PNP General Purpose SS	0.56
◆ MPQA92	333-MPQA92	TO-92	PNP Small Signal	0.25
◆ MMBTA92	333-MMBTA92	SOT-23	PNP Small Signal	0.28
◆ MPQA93	333-MPQA93	TO-92	PNP Small Signal	0.28
◆ MPH10	610-MPH10	TO-92	NPN RF Amp/Osc	0.25
◆ CMPTH10	610-CMPTH10	SOT-23	NPN RF Amp/Osc	0.35
◆ MTP3055E	511-MTP3055E	TO-220	N-Channel MOSFET 60V 14A	0.97
◆ P0102BL	511-P0102BL	SOT-23	0.2 Amp 200 Volt SCR	0.44
◆ P0102DA	511-P0102DA	TO-92	0.8 Amp 400 Volt SCR	0.35
◆ P0102DL	511-P0102DL	SOT-23	0.2 Amp 200 Volt SCR	0.62
◆ P0111DA	511-P0111DA	TO-92	0.8 Amp 400 Volt SCR	0.35
◆ PCR012-4	333-PCR012-4	TO-220AB	12 Amp 200 Volt SCR	1.25
◆ PCR012-6	333-PCR012-6	TO-220AB	12 Amp 400 Volt SCR	1.38
◆ PCR012-8	333-PCR012-8	TO-220AB	12 Amp 600 Volt SCR	1.60
◆ PCR100-4	333-PCR100-4	TO-92	0.8 Amp 200 Volt SCR	0.47
◆ PCR100-6	333-PCR100-6	TO-92	0.8 Amp 400 Volt SCR	0.53
◆ PCR400-4	333-PCR400-4	TO-126	4 Amp 200 Volt SCR	0.74
◆ PCR400-6	333-PCR400-6	TO-126	4 Amp 400 Volt SCR	0.79
◆ PCR600-3	333-PCR600-3	TO-220AB	6 Amp 100 Volt SCR	1.20
◆ PCR600-4	333-PCR600-4	TO-220AB	6 Amp 200 Volt SCR	1.26
◆ PCR600-6	333-PCR600-6	TO-220AB	6 Amp 400 Volt SCR	1.32
◆ PCR600-8	333-PCR600-8	TO-220AB	6 Amp 600 Volt SCR	1.62
◆ PN918	610-PN918	TO-92	NPN General Purpose Switch	0.29
◆ PN2222	333-PN2222	TO-92	NPN General Purpose Switch	0.18
◆ PN2222	592-PN2222	TO-92	NPN General Purpose Switch	0.23
◆ PN2222A	610-PN2222A	TO-92	NPN General Purpose Switch	0.18
◆ PN2369A	333-PN2369A	TO-92	NPN Fast Switch SS	0.27
◆ PN2905A	592-PN2905A	TO-92	PNP General Purpose Switch	0.22
◆ PN2907	333-PN2907	TO-92	PNP General Purpose Switch	0.18
◆ PN2907A	333-PN2907A	TO-92	PNP General Purpose Switch	0.18
◆ PN2907A	610-PN2907A	TO-92	PNP General Purpose Switch	0.18
◆ PN3250	592-PN3250	TO-92	PNP General Purpose Switch	0.22
◆ PN3250A	592-PN3250A	TO-92	PNP General Purpose Switch	0.22
◆ PN3251	592-PN3251	TO-92	PNP General Purpose Switch	0.22
◆ PN3251A	592-PN3251A	TO-92	PNP General Purpose Switch	0.22
◆ PN3564	592-PN3564	TO-92	NPN Hi-Frequency Switch	0.26
◆ PN3565	333-PN3565	TO-92	NPN Low Level SS	0.32
◆ PN3566	333-PN3566	TO-92	NPN General Purpose Switch	0.54
◆ PN3567	333-PN3567	TO-92	NPN Medium Power	0.41
◆ PN3569	333-PN3569	TO-92	NPN Medium Power	0.20
◆ PN3638A	333-PN3638A	TO-92	PNP General Purpose SS	0.35
◆ PN3640	333-PN3640	TO-92	PNP Switching Trans	1.50
◆ PN3643	333-PN3643	TO-92	NPN General Purpose Switch	0.25
◆ PN3644	333-PN3644	TO-92	NPN General Purpose Switch	0.31
◆ PN3645	610-PN3645	TO-92	PNP General Purpose Switch	0.38
◆ PN3904	333-KN3904	TO-92	NPN General Purpose Switch	0.18
◆ PN4143	592-PN4143	TO-92	PNP General Purpose Switch	0.22
◆ PN4249	610-PN4249	TO-92	PNP Low Level Switch	0.38
◆ PN4250	333-PN4250	TO-92	PNP Low Level Switch	0.27
◆ PN4355	610-PN4355	TO-92	PNP General Purpose Switch	0.28
◆ PN4356	333-PN4356	TO-92	PNP General Purpose Switch	0.28
◆ PN4917	333-PN4917	TO-92	PNP General Purpose Switch	0.38
◆ PN5138	610-PN5138	TO-92	PNP General Purpose Switch	0.32
◆ PN5139	333-PN5139	TO-92	PNP General Purpose Switch	0.20
◆ PN5139	592-PN5139	TO-92	PNP General Purpose Switch	0.22
◆ PN5400	333-KN5400	TO-92	PNP Hi-Volt Amp	0.18
◆ RCA1A10	570-RCA1A10	TO-39	PNP Hi-Volt Amp	1.44
◆ RCA1C12	570-RCA1C12	TO-220AB	NPN Audio Amp	1.27
◆ RCA1C13	570-RCA1C13	TO-220AB	PNP Audio Amp	1.27
◆ RCA413	570-RCA413	TO-3	NPN Hi-Volt Amp	6.01
◆ RCS258	570-RCS258	TO-3	NPN General Purpose Power	3.23
◆ RFL2N05L	570-RFL2N05L	TO-205AF	N-CH 50V 2A MOSFET	1.45
◆ RFLM12N20	570-RFLM12N20	TO-204AA	N-CH Power FET	5.69
◆ RFM8P10	570-RFM8P10	TO-204AA	P-CH 100V 8A MOSFET	5.63
◆ RFP2N08	570-RFP2N08	TO-220AB	N-CH 80V 2A MOSFET	0.73
◆ RFP2P08	570-RFP2P08	TO-220AB	P-CH 80V 2A MOSFET	0.73
◆ RFP2N08L	570-RFP2N08L	TO-220AB	N-CH 80V 8A MOSFET	0.93
◆ RFP2N12L	570-RFP2N12L	TO-220AB	N-CH LOG FET	0.93

Transistor, Thyristor, SCR, Mosfet, Hexfet, and Triac Devices

"RFP" to "TIP" Devices

Manufacturer	Prefix
Central Semiconductor	610
EXL Semiconductor	333
Harris Semiconductor	570

Manufacturer	Prefix
Rohm	592
SGS Thomson	511
Teccor	519

◆ Surface Mount Device

For quantities greater than listed, call for quote.

For quantities greater than listed, call for quote.

Industry Type	MOUSER STOCK NO.	Package	Description	Price Each
				1-99
RFP2N20	570-RFP2N20	TO-220AB	N-CH 200V 2A MOSFET	1.61
RFP2N20L	570-RFP2N20L	TO-220AB	N-CH 200V 2A MOSFET	0.82
RFP12N08	570-RFP12N08	TO-220AB	N-CH 80V 12A MOSFET	1.39
RFP12N08L	570-RFP12N08L	TO-220AB	N-CH 80V 12A MOSFET	1.54
RFP12P10	570-RFP12P10	TO-220AB	P-CH 100V 12A MOSFET	3.95
RFP15N06	570-RFP15N06	TO-220AB	N-CH 60V 15A MOSFET	1.64
RXT2222A	592-RXT2222A	SOT-89	NPN General Purpose SS	0.65
RXT2907A	592-RXT2907A	SOT-89	NPN General Purpose SS	0.65
RXT3904	592-RXT3904	SOT-89	NPN General Purpose SS	0.65
RXT3906	592-RXT3906	SOT-89	NPN General Purpose SS	0.56
RXTA14	592-RXTA14	SOT-89	NPN Darling Amp	0.56
RXTA28	592-RXTA28	SOT-89	NPN Darling Amp	0.65
RXTA76	592-RXTA76	SOT-89	PNP General Purpose SS	0.56
S0602MH	511-S0602MH	TO-220AB	6A 600V SCR	1.98
S0802MH	511-S0802MH	TO-220AB	8A 600V SCR	1.39
S1206MH	511-S1206MH	TO-220AB	12A 600V SCR	1.70
S4006L	519-S4006L	TO-220AB	6A 400V SCR	1.55
S4008FS21	519-S4008FS21	TO-202AB	8A 400V SCR	1.26
S4008L	519-S4008L	TO-220AB	8A 400V SCR	1.51
S4008R	519-S4008R	TO-220AB	8A 400V SCR	1.35
S4010L	519-S4010L	TO-220AB	10A 400V SCR	1.60
S4010LS2	519-S4010LS2	TO-220AB	10A 400V SCR	1.69
S4012R	519-S4012R	TO-220AB	12A 400V SCR	1.53
S6008R	519-S6008R	TO-220AB	8A 600V SCR	1.58
S6012R	519-S6012R	TO-220AB	12A 600V SCR	1.78
SST2222A	592-SST2222A	SOT-23	NPN General Purpose SS	0.22
SST2907A	592-SST2907A	SOT-23	PNP General Purpose SS	0.22
SST3904	592-SST3904	SOT-23	NPN General Purpose SS	0.20
SST3906	592-SST3906	SOT-23	PNP General Purpose SS	0.20
SST4124	592-SST4124	SOT-23	PNP General Purpose SS	0.26
SST4126	592-SST4126	SOT-23	PNP General Purpose SS	0.26
SST4401	592-SST4401	SOT-23	NPN General Purpose SS	0.22
SST4403	592-SST4403	SOT-23	PNP General Purpose SS	0.22
SST5089	592-SST5089	SOT-23	NPN General Purpose SS	0.26
SSTA05	592-SSTA05	SOT-23	NPN Medium Power	0.30
SSTA06	592-SSTA06	SOT-23	NPN Medium Power	0.35
SSTA13	592-SSTA13	SOT-23	NPN Darling Amp	0.35
SSTA14	592-SSTA14	SOT-23	NPN Darling Amp	0.30
SSTA20	592-SSTA20	SOT-23	NPN General Purpose SS	0.30
SSTA28	592-SSTA28	SOT-23	NPN Darling Amp	0.35
SSTA56	592-SSTA56	SOT-23	PNP Medium Power	0.35
SSTA65	592-SSTA65	SOT-23	PNP Darling Amp	0.28
STD10N10	511-STD10N10	TO-251	N-CH Pwr MOSFET 10A 100V	1.38
STD10N10L	511-STD10N10L	TO-251	N-CH Pwr MOSFET 10A 100V	1.40
STD12N05	511-STD12N05	TO-251	N-CH Pwr MOSFET 12A 50V	0.97
STD12N06	511-STD12N06	TO-251	N-CH Pwr MOSFET 12A 60V	0.99
STD12N06L	511-STD12N06L	TO-251	N-CH Pwr MOSFET 12A 60V	0.99
STD17N06	511-STD17N06	TO-251	N-CH Pwr MOSFET 17A 60V	1.08
STD17N06L	511-STD17N06L	TO-251	N-CH Pwr MOSFET 17A 60V	1.08
STD3N30-1	511-STD3N30-1	TO-251	N-CH Pwr MOSFET 3A 300V	1.33
STD5N20-1	511-STD5N20-1	TO-251	N-CH Pwr MOSFET 5A 200V	1.17
STD6N10	511-STD6N10	TO-251	N-CH Pwr MOSFET 6A 100V	0.94
STD6N10L	511-STD6N10L	TO-251	N-CH Pwr MOSFET 6A 100V	1.15
STD8N10	511-STD8N10	TO-251	N-CH Pwr MOSFET 8A 100V	1.08
STP10N10L	511-STP10N10L	TO-220AB	N-CH Pwr MOSFET 10A 100V	1.15
STP15N06L	511-STP15N06L	TO-220AB	N-CH Pwr MOSFET 15A 60V	1.01
STP20N10L	511-STP20N10L	TO-220AB	N-CH Pwr MOSFET 20A 100V	2.00
STP21N06L	511-STP21N06L	TO-220AB	N-CH Pwr MOSFET 21A 60V	1.27
STP25N06	511-STP25N06	TO-220AB	N-CH Pwr MOSFET 25A 60V	1.63
STP30N05	511-STP30N05	TO-220AB	N-CH Pwr MOSFET 30A 50V	2.09
STP30N06	511-STP30N06	TO-220AB	N-CH Pwr MOSFET 30A 60V	2.19
STP3NA80	511-STP3NA80	TO-220AB	N-CH Pwr MOSFET 3A 800V	1.98
STP4NA60	511-STP4NA60	TO-220AB	N-CH Pwr MOSFET 4A 600V	1.70
STP50N06L	511-STP50N06L	TO-220AB	N-CH Pwr MOSFET 50A 60V	2.94
STP5NA50	511-STP5NA50	TO-220AB	N-CH Pwr MOSFET 5A 500V	1.61
STP5NA80	511-STP5NA80	TO-220AB	N-CH Pwr MOSFET 4.8A 800V	2.51
STP6NA60	511-STP6NA60	TO-220AB	N-CH Pwr MOSFET 6A 600V	2.51
STW12NA60	511-STW12NA60	TO-247	N-CH Pwr MOSFET 12A 600V	7.34
STW15NA50	511-STW15NA50	TO-247	N-CH Pwr MOSFET 15A 500V	7.08
STW16N40	511-STW16N40	TO-247	N-CH Pwr MOSFET 16A 400V	8.14
STW20NA50	511-STW20NA50	TO-247	N-CH Pwr MOSFET 20A 500V	13.29
STW33N20	511-STW33N20	TO-247	N-CH Pwr MOSFET 33A 200V	7.71
STW5NA90	511-STW5NA90	TO-247	N-CH Pwr MOSFET 5A 900V	4.69
STW60N10	511-STW60N10	TO-247	N-CH Pwr MOSFET 60A 100V	9.59
STW75N06	511-STW75N06	TO-247	N-CH Pwr MOSFET 75A 60V	7.71
T106A1	519-T106A1	TO-220	4A 100V SCR	0.74
T106B1	519-T106B1	TO-202AB	4A 200V SCR	0.79
T106C1	519-T106C1	TO-202AB	4A 300V SCR	0.81
T106D1	519-T106D1	TO-202AB	4A 400V SCR	0.88
T106F1	519-T106F1	TO-202AB	4A 50V SCR	1.73
T106M1	519-T106M1	TO-202AB	4A 600V SCR	1.10
T410-600B	511-T410-600B	TO-251	4A 600V Triac	0.75
T435-600B	511-T435-600B	TO-251	4A 600V Triac	0.72
THBT15011D	511-THBT15011D	SO-8	Telecom Ring Relay	2.28
THBT200S	511-THBT200S	SIP-3	Telecom Ring Relay	1.77
TIP29	610-TIP29	TO-220	NPN General Purpose Power	0.57
TIP29A	511-TIP29A	TO-220	NPN General Purpose Power	0.62
TIP29A	610-TIP29A	TO-220	NPN General Purpose Power	0.57
TIP29B	511-TIP29B	TO-220	NPN General Purpose Power	0.64
TIP29B	610-TIP29B	TO-220	NPN General Purpose Power	0.57
TIP29C	511-TIP29C	TO-220	NPN General Purpose Power	0.67
TIP29C	610-TIP29C	TO-220	NPN General Purpose Power	0.57

Industry Type	MOUSER STOCK NO.	Package	Description	Price Each
				1-99
TIP30	610-TIP30	TO-220	PNP General Purpose Power	0.57
TIP30A	511-TIP30A	TO-220	PNP General Purpose Power	0.62
TIP30B	511-TIP30B	TO-220	PNP General Purpose Power	0.64
TIP30C	511-TIP30C	TO-220	PNP General Purpose Power	0.67
TIP30C	570-TIP30C	TO-220AB	PNP General Purpose Power	0.64
TIP31	511-TIP31	TO-220	NPN General Purpose Power	0.60
TIP31	570-TIP31	TO-220AB	NPN General Purpose Power	0.57
TIP31A	511-TIP31A	TO-220	NPN General Purpose Power	0.62
TIP31A	570-TIP31A	TO-220AB	NPN General Purpose Power	0.70
TIP31B	570-TIP31B	TO-220AB	NPN General Purpose Power	0.64
TIP31C	511-TIP31C	TO-220	NPN General Purpose Power	0.67
TIP31C	570-TIP31C	TO-220AB	NPN General Purpose Power	0.64
TIP32A	511-TIP32A	TO-220	PNP General Purpose Power	0.62
TIP32A	570-TIP32A	TO-220AB	PNP General Purpose Power	0.61
TIP32B	511-TIP32B	TO-220	PNP General Purpose Power	0.64
TIP32B	570-TIP32B	TO-220AB	PNP General Purpose Power	0.64
TIP32C	511-TIP32C	TO-220	PNP General Purpose Power	0.67
TIP32C	570-TIP32C	TO-220AB	PNP General Purpose Power	1.43
TIP33A	511-TIP33A	TO-218	NPN General Purpose Power	1.62
TIP33C	511-TIP33C	TO-218	NPN General Purpose Power	1.45
TIP34C	511-TIP34C	TO-218	PNP General Purpose Power	1.45
TIP35B	511-TIP35B	TO-218	NPN General Purpose Power	1.98
TIP35C	511-TIP35C	TO-218	NPN General Purpose Power	2.00
TIP36B	511-TIP36B	TO-218	PNP General Purpose Power	2.00
TIP36C	333-TIP36C	TO-3P	PNP General Purpose Power	2.57
TIP36C	511-TIP36C	TO-218	PNP General Purpose Power	2.02
TIP41	333-TIP41	TO-220	NPN General Purpose Power	0.75
TIP41A	511-TIP41A	TO-220	NPN General Purpose Power	0.71
TIP41B	511-TIP41B	TO-220	NPN General Purpose Power	0.74
TIP41C	511-TIP41C	TO-220	NPN General Purpose Power	0.76
TIP41C	570-TIP41C	TO-220AB	NPN General Purpose Power	0.72
TIP42	333-TIP42	TO-220	PNP General Purpose Power	0.79
TIP42	570-TIP42	TO-220AB	PNP General Purpose Power	1.23
TIP42A	511-TIP42A	TO-220	PNP General Purpose Power	0.71
TIP42B	511-TIP42B	TO-220	PNP General Purpose Power	0.74
TIP42B	570-TIP42B	TO-220AB	PNP General Purpose Power	1.23
TIP42C	333-TIP42C	TO-220	PNP General Purpose Power	0.81
TIP42C	511-TIP42C	TO-220	PNP General Purpose Power	0.78
TIP42C	570-TIP42C	TO-220AB	PNP General Purpose Power	1.23
TIP47	511-TIP47	TO-220	NPN General Purpose Power	0.67
TIP47	570-TIP47	TO-220AB	NPN General Purpose Power	0.84
TIP48	333-TIP48	TO-220	NPN General Purpose Power	0.76
TIP48	511-TIP48	TO-220	NPN General Purpose Power	0.69
TIP48	570-TIP48	TO-220AB	NPN General Purpose Power	0.87
TIP49	511-TIP49	TO-220	NPN General Purpose Power	0.71
TIP49	570-TIP49	TO-220AB	NPN General Purpose Power	0.93
TIP50	333-TIP50	TO-220	NPN General Purpose Power	0.81
TIP50	511-TIP50	TO-220	NPN General Purpose Power	0.92
TIP50	570-TIP50	TO-220AB	NPN General Purpose Power	1.04
TIP54	511-TIP54	TO-218	NPN Fast Switch Power	1.77
TIP100	511-TIP100	TO-220	NPN Power Darling Amp	0.76
TIP101	570-TIP101	TO-220AB	NPN Power Darling Amp	1.36
TIP102	333-TIP102	TO-220	NPN Power Darling Amp	0.88
TIP102	511-TIP102	TO-220	NPN Power Darling Amp	0.81
TIP102	570-TIP102	TO-220AB	NPN Power Darling Amp	0.87
TIP105	511-TIP105	TO-220	PNP Power Darling Amp	0.76
TIP106	511-TIP106	TO-220	PNP Power Darling Amp	0.78
TIP107	511-TIP107	TO-220	PNP Power Darling Amp	0.81
TIP110	511-TIP110	TO-220	NPN Power Darling Amp	0.67
TIP110	570-TIP110	TO-220AB	NPN Power Darling Amp	0.70
TIP111	570-TIP111	TO-220AB	NPN Power Darling Amp	0.62
TIP112	511-TIP112	TO-220	NPN Power Darling Amp	0.71
TIP112	570-TIP112	TO-220AB	NPN Power Darling Amp	0.64
TIP115	511-TIP115	TO-220	PNP Power Darling Amp	0.67
TIP117	511-TIP117	TO-220	PNP Power Darling Amp	0.71
TIP120	333-TIP120	TO-220	NPN Power Darling Amp	0.81
TIP120	511-TIP120	TO-220	NPN Power Darling Amp	0.67
TIP120	570-TIP120	TO-220AB	NPN Power Darling Amp	0.82
TIP121	511-TIP121	TO-220	NPN Power Darling Amp	0.69
TIP121	570-TIP121	TO-220AB	NPN Power Darling Amp	0.84
TIP122	511-TIP122	TO-220	NPN Power Darling Amp	0.71
TIP122	570-TIP122	TO-220AB	NPN Power Darling Amp	0.87
TIP125	511-TIP125	TO-220	PNP Power Darling Amp	0.67
TIP125	570-TIP125	TO-220AB	PNP Power Darling Amp	0.86
TIP126	511-TIP126	TO-220	PNP Power Darling Amp	0.69
TIP126	570-TIP126	TO-220AB	PNP Power Darling Amp	0.91
TIP127	511-TIP127	TO-220	PNP Power Darling Amp	0.71
TIP131	333-TIP131	TO-220	NPN Power Darling Amp	1.01
TIP131	511-TIP131	TO-220	NPN Power Darling Amp	0.76
TIP132	511-TIP132	TO-220	NPN Power Darling Amp	0.78
TIP135	511-TIP135	TO-220	PNP Power Darling Amp	0.76
TIP136	511-TIP136	TO-220	PNP Power Darling Amp	0.69
TIP137	511-TIP137	TO-220	PNP Power Darling Amp	0.78
TIP140	511-TIP140	SOT-93	NPN Power Darling Amp	1.66
TIP141	511-TIP141	SOT-93	NPN Power Darling Amp	1.66
TIP142	333-TIP142	TO-3P	NPN Power Darling Amp	2.23
TIP142	511-TIP142	TO-218	NPN Power Darling Amp	1.70
TIP145	511-TIP145	TO-218	PNP Power Darling Amp	1.68
TIP146	511-TIP146	TO-218	PNP Power Darling Amp	1.68
TIP147	333-TIP147	TO-3P	PNP Power Darling Amp	2.35
TIP147	511-TIP147	TO-218	PNP Power Darling Amp	1.73
TIP2955	333-TIP2955	TO-3P	PNP General Purpose Power	1.36

Manufacturer	Prefix
EXL Semiconductor	333

Transistor, Thyristor, SCR, Mosfet, Hexfet, and Triac Devices

"TIP" to "Z" Devices

Manufacturer	Prefix
Rohm	592
SGS Thomson	511

For quantities greater than listed, call for quote.

◆ **Surface Mount Device**
For quantities greater than listed, call for quote.

Industry Type	MOUSER STOCK NO.	Package	Description	Price Each
				1-99
TIP2955	511-TIP2955	TO-218	PNP General Purpose Power	1.45
TIP3055	333-TIP3055	TO-3P	NPN General Purpose Power	1.36
TIP3055	511-TIP3055	TO-218	NPN General Purpose Power	1.45
TN22-1600D	511-TN22-1600D	SOT-82	Fluorescent Lamp Starter	1.27
TN815-600B	511-TN815-600B	TO-251	8 Amp 600 Volt SCR	0.75
TYN408G	511-TYN408G	TO-220AB	8 Amp 400 Volt SCR	0.92
TYN412	511-TYN412	TO-220AB	12 Amp 400 Volt SCR	0.97
TYN416	511-TYN416	TO-220AB	16 Amp 400 Volt SCR	1.24
TYN610	511-TYN610	TO-220AB	10 Amp 600 Volt SCR	1.06
UMT2222A	592-UMT2222A	SOT-323	NPN General Purpose SS	0.33
UMT2907A	592-UMT2907A	SOT-323	PNP General Purpose SS	0.33

Industry Type	MOUSER STOCK NO.	Package	Description	Price Each
				1-99
◆ UMT3904	592-UMT3904	SOT-323	NPN General Purpose SS	0.33
◆ UMT3906	592-UMT3906	SOT-323	PNP General Purpose SS	0.33
◆ UMT4401	592-UMT4401	SOT-323	NPN General Purpose SS	0.33
◆ UMT4403	592-UMT4403	SOT-323	PNP General Purpose SS	0.33
X0203NA	511-X0203NA	TO-92	1.25 Amp 800 Volt SCR	0.69
X0402DE	511-X0402DE	TO-202-1	4 Amp 400 Volt SCR	0.67
X0403DF	511-X0403DF	TO-202-2	4 Amp 400 Volt SCR	0.76
X0405ME	511-X0405ME	TO-202-1	4 Amp 600 Volt SCR	0.60
Z0109MA	511-Z0109MA	TO-92	0.8 Amp 600 Volt Triac	0.48
Z0405MF	511-Z0405MF	TO-202-2	4 Amp 600 Volt Triac	0.83
Z0410DF	511-Z0410DF	TO-202-2	4 Amp 400 Volt Triac	0.64
Z0410MF	511-Z0410MF	TO-202-2	4 Amp 600 Volt Triac	0.71

SMALL SIGNAL TRANSISTOR KIT

- 180 pieces
- Labeled and keyed for user convenience
- 18 popular transistors
- Packaged in a sturdy translucent storage box

MOUSER STOCK NO.	Contains 5 Pieces Each of:	Price Each
370-TRA-1	2N2222A, 2N2369A, 2N2907, 2N3707, 2N3904, 2N3906, 2N4124, 2N4401, 2N4403, 2N6426, MPSA13, MPSA29, MPSA42, MPSA56, MPSA63, MPSA92, BC337, BC547	39.95

TO-220 POWER TRANSISTOR KIT

- 90 pieces
- Labeled and keyed for user convenience
- 18 popular transistors
- Packaged in a sturdy translucent storage box

MOUSER STOCK NO.	Contains 5 Pieces Each of:	Price Each
370-511-1	511-MJE3055T, 511-MJE13005, 511-MJE13007, 511-TIP29, 511-TIP29C, 511-TIP30, 511-TIP31C, 511-TIP32, 511-TIP32C, 511-TIP41C, 511-TIP42, 511-TIP-42C, 511-TIP48, 511-TIP120, 511-TIP121, 511-TIP122, 511-TIP125, 511-TIP131	89.99

NTE TECHNICAL GUIDE AND CROSS REFERENCE DISKS

Book

The NTE catalog has become the industry's guide when you need semiconductors. Now available is the 6th edition containing over 252,000 cross references to American, European and Japanese industrial and commercial devices. The catalog includes short form specifications and cross reference in a new easier to read format for 3800 devices in NTE's line.

NTE Part No.	MOUSER STOCK NO.	Price Each
NTE CRM8	526-NTEAD-3	4.95

Software (Does Not Include Pinout or Diagrams)

The popular NTE Cross Reference, on an IBM-PC based high-speed database for semiconductors and relays. This new selection tool - the "NTE Quick Cross" - is a computer-assisted cross reference guide that helps users select the proper NTE replacement device for over 250,000 industry device numbers. This software will enable the user to locate any NTE cross reference device number in about one second. The software contains all of the cross reference information currently in NTE's database using only 3.1M bytes of hard disk space. Comes on two, 5.25" high density diskettes, or two, 3.5" high density diskettes. Now available in Windows version.

MOUSER STOCK NO.	Disk Type	Version	Price Each
526-NTEQC-1	HD 1.2M 5.25"	DOS	6.99
526-NTEQC-4	HD 1.44M 3.5"	DOS	7.99
526-NTEQC-5	HD 1.44M 3.5"	Windows	9.99

Heat Sinks and Accessories

HEAT SINKS

Quality aluminum and brass heat sinks for transistors and integrated circuits. Black anodized finish is corrosion resistant.

For DIP IC Case

For quantities greater than listed, call for quote.

MOUSER STOCK NO.	Fig.	Description	Replaces Aavid Part Number	Ther Res (°C/W)	Dimensions (In.) (L x W x H)	Price Each		
						1	10	100
567-APIC050CB	A	Cooler for DIP 24-40	580700	22.9	2.38 x 0.75 x 0.50	1.68	1.52	.91

For TO-126 Case

For quantities greater than listed, call for quote.

567-LAE66A3CB	B	Offset fin for max dis	-----	17	1.31 x 0.90 x 0.75	.89	.81	.49
567-PSC2-4CB	C	Clip-on for plastic case	577500	40.5	0.81 x 0.31 x 1.00	.31	.27	.23

For TO-202 Case

For quantities greater than listed, call for quote.

567-PSC2-1CB	C	Clip-on for plastic case	574202	40.5	0.81 x 1.00 x 0.31	.35	.29	.24
--------------	---	--------------------------	--------	------	--------------------	-----	-----	-----

For TO-3 Case

For quantities greater than listed, call for quote.

MOUSER STOCK NO.	Fig.	Description	Dimensions (In.)			Ther Res (°C/W)	Finish	Price Each		
			L	H	W			1	10	100
33HS301	D	Economical "U" style (with holes)	1.26	.99	1.38	11	Matte etched	.65	.43	.39

For TO-18 Case Type

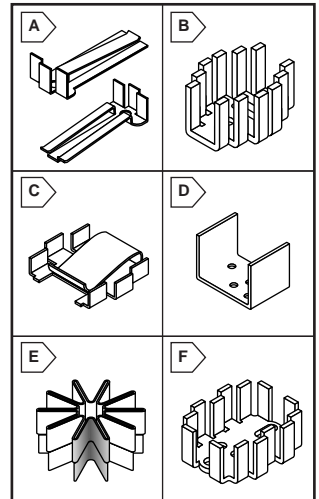
For quantities greater than listed, call for quote.

33HS183	E	Maximum cooling push-on	---	.375	.64	48	Chemically blackened	1.05	.87	.79
---------	---	-------------------------	-----	------	-----	----	----------------------	------	-----	-----

For TO-66 Case Type

For quantities greater than listed, call for quote.

33HS662	F	Compact size good cooling	1.40	.50	1.12	16	Black anodized	1.20	.97	.88
---------	---	---------------------------	------	-----	------	----	----------------	------	-----	-----



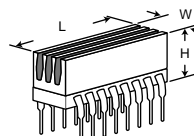
MOUSER® HEAT SINKS FOR IC'S

These high performance IC heat sinks are available in three designs for different pin configurations. They act as excellent heat dissipaters and performance increases when used with thermal conductive adhesive.

- Black anodized finish
- Attach using thermally conductive adhesive

MOUSER STOCK NO.	Contact Pins	Ther Res (°C/W)	Dimensions (In.)			Price Each				
			L	W	H	1	10	100	500	1000
33HS020	20	34	.99	.25	.19	.58	.48	.44	.40	Call

DIMENSIONS (IN.)



HEAT SINK COMPOUND



Highest quality silicone grease. Excellent thermal conductivity.

MOUSER STOCK NO.	Size	Price Each
524-8109-S	1 oz. tube	6.50



Replacement Semiconductors

The most popular NTE products are listed. Thousands of other NTE products are in stock, too many to list. Please call your local Mouser Sales Representative.

NTE TECHNICAL GUIDE AND CROSS REFERENCE

The NTE catalog has become the industry's guide when you need semiconductors. Now available is the 7th edition containing over 252,000 cross references to American, European and Japanese industrial and commercial devices. The catalog includes short form specifications and cross reference in a new easier to read format for 3800 devices in NTE's line.

NTE Part No.	MOUSER STOCK NO.	Price Each
NTE CRM8	526-NTEAD-3	4.95

For quantities greater than listed call for quote

MOUSER STOCK NO.	Description	Price Each
		1-99
526-NTE10	TO-92 NPN Low Noise	1.96
526-NTE11	TO-92 NPN Hi-Curr Amp	1.50
526-NTE12	TO-92 PNP Hi-Curr Amp	1.55
526-NTE13	Low-V Output Amp	1.20
526-NTE14	(FTR) PNP Low Freq Drv	1.92
526-NTE15	(FTR) PNP VHF Mix	1.26
526-NTE16	(ATR) NPN G/P Amp	1.16
526-NTE17	(ATR) PNP Low Noise	1.15
526-NTE18	(ATR) NPN Hi-V Curr	2.12
526-NTE19	(ATR) PNP Hi-Curr Drv	2.10
526-NTE20	(ATR) NPN Hi-Pwr Out	1.96
526-NTE21	(ATR) PNP Hi-Pwr Out	2.32
526-NTE22	(ATR) NPN Med Power	1.96
526-NTE23	TO-92 Hi-Freq Amp	1.96
526-NTE24	TO-237 NPN Gen Purpose	1.64
526-NTE25	TO-237 PNP Gen Purpose	1.72
526-NTE26	NPN Low Noise Amp	0.84
526-NTE31	TO-92 NPN AF DR OUT	3.36
526-NTE32	TO-92 PNP AF DR OUT	3.97
526-NTE36	TO-3P NPN AF Pwr Amp	4.85
526-NTE37	TO-3P PNP Power Amp	4.95
526-NTE39	TO-126 PNP Sw Reg	3.80
526-NTE41	SIP-5 Dual Diff Amp	1.90
526-NTE42	SIP-5 Dual Diff Amp	1.84
526-NTE43	SIP-5 Dual Diff Amp	1.98
526-NTE44	SIP-5 Dual Hi-GN Amp	1.80
526-NTE45	SIP-5 Dual Hi-GN Amp	2.02
526-NTE46	TO-92 BIPO Darl Amp	1.96
526-NTE47	TO-92 BIPO Hi-GN Amp	1.06
526-NTE48	TO-92 Hi-Curr Amp GI	1.38
526-NTE50	TO-202 Hi-V Amp/Drv	3.67
526-NTE51	TO-220 NPN Hi-Speed Sw	3.97
526-NTE52	TO-3 Hi-V/ Speed Sw	6.34
526-NTE53	TO-3 BIPO Hi-V/Speed Sw	11.53
526-NTE54	TO-220 NPN Hi-Freq Drv	3.91
526-NTE55	TO-220 NPN Hi-Freq Driver	4.80
526-NTE56	TO-220 NPN Hi-GN Sw	3.70
526-NTE58	Hi-Power Audio Out NPN	10.45
526-NTE60	TO-3 NPN Hi-Power Audio	10.20
526-NTE62	TO-3 NPN Hi-V HR Out	10.30
526-NTE63	NPN Small Signal, Hi Gain	3.45
526-NTE64	UHF/Microwave-Amp/Sw	3.25
526-NTE65	BIPO Hi-V Low Noise	2.70
526-NTE66	TO-220 Power MOSFET	10.70
526-NTE67	TO-220 N-CH MOSFET	10.20
526-NTE68	TO-3 Hi-Power Amp	10.33
526-NTE69	TO-92 UHF/VHF Amp	1.35
526-NTE77	TO-39 NPN CATV Driver	4.09
526-NTE82	TO-78 Diff Amp G/P Sw	10.53
526-NTE85	TO-92 NPN Gen Pur Amp	0.94
526-NTE87	TO-3 NPN Hi-Power Audio	8.28
526-NTE88	TO-3 PNP Pwr Audio Amp	8.55
526-NTE89	TO-3 NPN Horiz Output	11.75
526-NTE90	TO-92 NPN GP HIG Amp	1.48
526-NTE91	TO-92 Hi-Gain Amp, GI	1.40
526-NTE92	NPN HI-FI Power Amp	10.85
526-NTE93	PNP Hi-Power Amp	11.75
526-NTE94	TO-3 NPN Hi-V Inverter	5.20
526-NTE100	TO-5 BIPO Osc/Sw	4.58
526-NTE101	TO-5 NPN Oscillator	5.37
526-NTE102	TO-5 PNP Power Out Drvr	3.96
526-NTE102A	TO-1 PNP Med Pwr Amp	1.98
526-NTE103	TO-5 Pwr Output Driver	5.40
526-NTE103A	TO-1 Med Power Amp	2.02
526-NTE104	TO-3 PNP Audio Pwr Amp	16.30
526-NTE105	TO-36 PNP Audio Pwr Amp	20.74
526-NTE106	TO-18 PNP Hi-Speed Sw	1.40
526-NTE107	TO-92 NPN UHF Osc	1.68
526-NTE108	TO-92 NPN RF/IF Amp	1.64
526-NTE108-1	TO-106 NPN RF/IF Osc	1.53

For quantities greater than listed call for quote

MOUSER STOCK NO.	Description	Price Each
		1-99
526-NTE109	DO-7 GP Fast Switch	0.62
526-NTE110MP	DO-7 Diode G/P AFC	0.96
526-NTE112	DO-7 UHF Mixer	1.57
526-NTE116	DO-41 GP Rectifier	0.73
526-NTE117	DO-26 GP Rectifier	1.12
526-NTE118	Selen. Rectifier 7500 VDC	2.95
526-NTE120	G/P TV Convg Rectifier	1.96
526-NTE121	TO-3 PNP Audio Pwr Amp	16.01
526-NTE123	TO-39 NPN Audio Amp	1.26
526-NTE123A	TO-18 NPN Audio Amp	1.47
526-NTE123AP	TO-92 NPN Audio Amp	1.25
526-NTE124	TO-66 NPN Hi-V Pwr Out	5.54
526-NTE125	DO-41 GP 1000V 2.5A	0.79
526-NTE126	TO-18 PNP RF/IF Amp	4.83
526-NTE126A	TO-18 PNP RF/IF Amp	5.85
526-NTE127	TO-3 PNP Pwr Out Amp	35.40
526-NTE128	TO-39 NPN Audio Output	2.03
526-NTE128P	TO-237 NPN Gen Purpose	1.40
526-NTE129	TO-39 NPN Audio Output	2.22
526-NTE129P	TO-237 Gen Purpose Amp	1.45
526-NTE130	TO-3 NPN Audio Pwr Amp	4.06
526-NTE131	TO-66 PNP Power Amp	3.11
526-NTE132	TO-106 N-CH JFET Mixer	1.15
526-NTE133	TO-106 JFET AF Amp	0.98
526-NTE135A	DO41 5, 1V 1W Zener	0.99
526-NTE137A	DO-41 6.2V 1W Zener	0.99
526-NTE138A	DO-41 7.5V 1W Zener	0.99
526-NTE150A	DO-41 82.0V 1W Zener	0.99
526-NTE152	TO-220 NPN GP Audio	2.39
526-NTE153	TO-220 PNP GP Audio	2.90
526-NTE154	TO-39 NPN Hi-V Output	3.39
526-NTE155	TO-66 NPN Audio Pwr	3.60
526-NTE156	DO-15 1000V 3A Rectifier	1.41
526-NTE156A	DO-27A 1000V 3A Rectifier	1.40
526-NTE157	TO-126 NPN Hi-Pwr Amp	2.30
526-NTE158	TO-1 PNP Aud PWT Amp	2.24
526-NTE159	TO-92 NPN Audio Amp	1.64
526-NTE159M	TO-18 Audio Amp	0.84
526-NTE160	TO-72 RF/IF Amp/Mixer	2.80
526-NTE161	TO-72 NPN UHF/VHF	2.55
526-NTE162	TO-3 NPN TV Vert Def	9.00
526-NTE163A	TO-3 NPN TV Horiz Def	10.75
526-NTE164	TO-3 NPN TV Vert Out	8.40
526-NTE165	TO-3 NPN TV Horiz Out	13.50
526-NTE168	C222 Bridge 400V 2A	2.62
526-NTE170	C222 Bridge Rec 1000V 2A	5.41
526-NTE171	TO-202 NPN AU/VI Amp	2.86
526-NTE172A	TO-92 NPN Darl Pream	0.98
526-NTE174	TO-3 DAMP DI for TV	4.37
526-NTE175	TO-66 NPN Power Amp	3.51
526-NTE176	TO-39B PNP Power Amp	4.66
526-NTE177	DO-35 Fast Sw Diode	1.08
526-NTE179	TO-3 PNP Audio Pwr Amp	24.08
526-NTE180	TO-3 PNP Hi-Power Amp	9.44
526-NTE181	TO-3 NPN Hi-Power Amp	7.90
526-NTE182	TO-127 NPN GP Amp	11.86
526-NTE184	TO-126 NPN Power Amp	2.29
526-NTE185	TO-126 PNP Power Amp	2.75
526-NTE186	TO-202 GP Output Amp	2.39
526-NTE186A	TO-202 NPN Med Power	2.39
526-NTE187	TO-202 PNP GP Output	2.50
526-NTE187A	TO-202 PNP Med Power	2.50
526-NTE188	TO-202 NPN Hi-V Amp	3.74
526-NTE189	TO-202 PNP Hi-V Amp	2.88
526-NTE190	TO-202 NPN Hi-V Amp	3.30
526-NTE191	TO-202 NPN Hi-V Video	3.98
526-NTE192	TO-92 NPN Aud Pwr Out	1.99
526-NTE193	TO-92 PNP Aud Pwr Out	2.05
526-NTE193A	TO-92 NPN GP Pwr Out	1.98
526-NTE194	TO-92 NPN GP Hi-V Amp	1.19
526-NTE195A	TO-39 RF Pwr Amp/Driver	4.76
526-NTE196	TO-220 NPN Aud Pwr Out	3.17
526-NTE197	TO-220 PNP Aud Pwr Out	2.88
526-NTE198	TO-220 NPN Hi-V Aud Out	3.61
526-NTE199	TO-92 NPN Hi-GN Amp	1.06
526-NTE210	TO-202 NPN GP Output	2.35
526-NTE211	TO-202 GP Out/Driver	2.50
526-NTE215	TO-3P NPN Darl Driver	4.60
526-NTE218	TO-66 PNP Audio Power	5.25
526-NTE219	TO-3 PNP Gen Pur Amp	6.97
526-NTE221	TO-72 MOSFET Amp/Mix	3.23
526-NTE222	TO-72 N-CH MOSFET AM	3.90
526-NTE224	TO-39F NPN RF Pwr Out	8.55
526-NTE225	TO-39F NPN Hi-Spd Amp	5.67
526-NTE226	TO-66 Audio Power Output	3.20

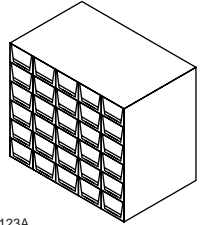
NTE REPLACEMENT KITS

The most popular NTE devices in sturdy 30 compartment metal cabinet.

MOUSER STOCK NO.	Total Pieces	Description	Price Each
370-526-1	155	Kit 1	249.95
370-526-2	125	Kit 2	219.50

Features:

- 25 different types
- Sturdy 30 compartment metal cabinet
- Copy of NTE technical guide included with each kit
- Copy of NTE Quick Cross on 3.5" disks included with each kit



Kit 1 (Replaces 63, 703 devices)

Contains:

5 Pieces Each: NTE102A, NTE121, NTE123A, NTE123AP, NTE130, NTE152, NTE156A, NTE159, NTE177, NTE181, NTE196, NTE198, NTE289A, NTE290A, NTE291, NTE375, NTE506, NTE519, NTE552, NTE558, NTE85

10 Pieces Each: NTE109, NTE125, NTE2302

20 Pieces Each: NTE116

Kit 2 (Replaces 20, 251 devices) Contains:

Contains:

5 Pieces Each: NTE108, NTE117, NTE123, NTE124, NTE137A, NTE153, NTE154, NTE157, NTE171, NTE172A, NTE184, NTE185, NTE194, NTE197, NTE199, NTE261, NTE263, NTE287, NTE289A, NTE292, NTE373, NTE375, NTE552, NTE5812, NTE89

For quantities greater than listed call for quote

MOUSER STOCK NO.	Description	Price Each
		1-99
526-NTE227	TO-237 NPN Hi-V Amp	2.68
526-NTE228A	TO-202 NPN Hi-V Video	2.51
526-NTE229	TO-92 NPN VHF Osc	1.88
526-NTE230	TO-66 SCR Horiz Defl	15.54
526-NTE231	TO-66 SCR Horiz Defl	17.67
526-NTE232	TO-92 PNP Darl Amp	1.04
526-NTE233	TO-92 NPN Video IF Osc	1.02
526-NTE234	TO-92 Hi-GN AF PreAmp	1.09
526-NTE235	TO-220 NPN RF Pwr Out	6.30
526-NTE236	TO-220 NPN RF Pwr Out	10.40
526-NTE237	TO-39 NPN RF Pwr Out	8.10
526-NTE238	TO-3 NPN Horiz Output	15.75
526-NTE239	TO-72 SCS Vert Osc	3.63
526-NTE240	TO-202 PNP Hi-V Output	4.45
526-NTE241	TO-220 NPN Aud Pwr Amp	2.42
526-NTE242	TO-220 PNP SI Pwr Amp	2.52
526-NTE243	TO-3 NPN Darl Pwr Amp	3.36
526-NTE244	TO-3 PNP Darl Pwr Amp	3.95
526-NTE245	TO-3 NPN Darl Pwr Amp	4.55
526-NTE246	TO-3 PNP Darl Pwr Amp	5.80
526-NTE247	TO-3 NPN Darl Pwr Amp	5.63
526-NTE248	TO-3 PNP Darl Pwr Amp	6.42
526-NTE249	TO-3 NPN Darl Pwr Amp	8.38
526-NTE250	TO-3 PNP Darl Pwr Amp	8.50
526-NTE251	TO-3 NPN Darl Pwr Amp	8.73
526-NTE252	TO-3 PNP Darl Pwr Amp	8.50
526-NTE253	TO-126 NPN Darl Pwr	2.37
526-NTE254	TO-126 PNP Darl Pwr	2.63
526-NTE255	TO-237 NPN Horiz Drv/Amp	2.69
526-NTE256	TO-218 Darl DAMP DI	16.33
526-NTE261	TO-220 NPN Darl Pwr	2.42
526-NTE262	TO-220 PNP Darl Pwr	2.71
526-NTE263	TO-220 NPN Darl Pwr	2.56
526-NTE264	TO-220 PNP Darl Pwr	3.10
526-NTE265	TO-202 NPN Darl Pwr	1.44
526-NTE266	TO-202 NPN Darl Pwr	1.74
526-NTE267	TO-202 NPN Darl Pwr	1.55
526-NTE268	TO-202 NPN Darl Pwr	1.57
526-NTE269	TO-202 PNP Darl Pwr	3.48
526-NTE270	TO-218 NPN Darl Pwr	5.66
526-NTE271	TO-218 PNP Darl Pwr	6.15
526-NTE272	TO-202 NPN Darl Pwr	2.53
526-NTE274	TO-66 PNP Darl Pwr	5.57
526-NTE275	TO-66 PNP Darl Pwr	6.08
526-NTE276	TO-66 SCR Gate Sw	13.11
526-NTE278	TO-39 NPN RF Amp	3.25
526-NTE280	TO-3 NPN Audio Output	6.57
526-NTE282	NPN 4W RF Out Trans	8.90
526-NTE283	TO-3 NPN Hi-V HIC Sw	10.29
526-NTE284	TO-3 NPN Audio Amp Out	10.43
526-NTE285	TO-3 PNP Audio Amp Out	11.17
526-NTE287	TO-92 NPN Hi-V GP Amp	1.05
526-NTE288	TO-92 PNP Hi-V GP Amp	1.05
526-NTE289	TO-92 NPN Aud Pwr Amp	1.33



Replacement Semiconductors

The most popular NTE products are listed. Thousands of other NTE products are in stock, too many to list. Please call your local Mouser Sales Representative.

For quantities greater than listed call for quote

MOUSER STOCK NO.	Description	Price Each
		1-99
526-NTE289A	TO-92 NPN Aud Pwr Amp	1.42
526-NTE290	TO-92 PNP Audio Amp	1.12
526-NTE290A	TO-92 PNP Audio Amp	1.47
526-NTE291	TO-220 NPN Gen Purpose	3.37
526-NTE292	TO-220 PNP Gen Purpose	3.57
526-NTE293	TO-92 NPN Audio Amp	1.84
526-NTE294	TO-92 PNP Audio Amp	1.80
526-NTE295	TO-126 NPN RF Pwr Out	3.20
526-NTE297	TO-92 NPN Audio Amp	1.81
526-NTE298	TO-92 PNP Audio Amp	1.64
526-NTE299	TO-202 NPN Power Amp	3.22
526-NTE300	TO-202 NPN Power Amp	3.25
526-NTE302	TO-202 NPN XMIT Driver	3.57
526-NTE307	TO-202 PNP Power Amp	3.90
526-NTE308P	TO-220 Int/Thyr/Rectifier	8.70
526-NTE309K	TO-3 +V Reg 5V 1A	4.50
526-NTE310	TO-66 Horiz Defl Rect	17.38
526-NTE310P	TO-220 Int/Thyr/Rectifier	8.70
526-NTE311	TO-39 NPN Freq Amp	2.96
526-NTE312	TO-92 N-CH JFET Amp	1.34
526-NTE313	VHF Mixer & UHF/RF Amp	2.97
526-NTE314	TO-3 SCR 400V 12.5A	9.93
526-NTE315	NPN Audio Power Amp	2.76
526-NTE319	TO-72 NPN VHF Amp	1.60
526-NTE319P	TO-92 NPN VHF Amp	1.65
526-NTE322	NPN RF Power Output	2.51
526-NTE323	TO-39 PNP GP Amp/Sw	4.30
526-NTE324	TO-39 NPN GP Amp/Sw	4.50
526-NTE326	TO-92 JFET GP AF Amp	1.72
526-NTE327	TO-3 NPN Power Amp	19.55
526-NTE329	TO-39 NPN RF Pwr Amp	6.54
526-NTE331	TO-220 NPN Power Amp	3.30
526-NTE332	TO-220 PNP Power Amp	3.56
526-NTE336	RF Pwr 80W 30MHz	50.54
526-NTE337	Amp Drvr 8W 27-50MHz	26.33
526-NTE340	TO-92 NPN RF Pwr Amp	3.58
526-NTE341	TO-39 NPN RF Pwr Amp	10.02
526-NTE342	RF Pwr 130-175MHz 7W	6.55
526-NTE346	TO-39 NPN RF Driver	3.00
526-NTE356	PNP RF Power Amp	40.53
526-NTE361	TO-39 NPN RF Pwr Amp	9.29
526-NTE373	TO-126 NPN Audio Amp	1.98
526-NTE374	TO-126 PNP Audio Amp	2.18
526-NTE375	TO-220 NPN Vert Defl	2.92
526-NTE376	TO-220 NPN Power Sup	3.63
526-NTE377	TO-220 NPN Power Amp	3.10
526-NTE378	TO-220 PNP Power Amp	3.38
526-NTE379	TO-220 NPN Power Amp	7.60
526-NTE382	R245 NPN Aud Freq Driver	2.28
526-NTE383	R245 PNP Aud Freq Driver	2.30
526-NTE384	TO-66 NPN Hi-V Pwr Amp	6.52
526-NTE385	TO-3 NPN Audio Pwr Amp	9.10
526-NTE386	TO-126 NPN Audio Pwr Amp	18.61
526-NTE392	TO-218 NPN Power Amp	6.20
526-NTE393	TO-218 PNP Power Amp	6.53
526-NTE396	TO-39 NPN Pwr Amp Sw	3.35
526-NTE397	TO-39 PNP Pwr Amp Sw	3.34
526-NTE398	TO-220 PNP Vert Defl	3.20
526-NTE399	TO-92 NPN Hi-V Amp	3.38
526-NTE451	TO-92 JFET V/UHF Amp	1.75
526-NTE452	TO-72 JFET Amp/Mixer	3.08
526-NTE454	TO-72 DUAL GT MOSFET	2.82
526-NTE455	N-CHAN MOSFET Amp	2.98
526-NTE456	TO-72 GEN PUR Amp/Sw	1.93
526-NTE457	TO-92 N-CHAN JFET	1.60
526-NTE458	TO-92 GP JFET Amp	1.81
526-NTE459	TO-72 N-CHAN JFET	2.48
526-NTE460	TO-72 JFET P-CH Amp	5.07
526-NTE461	TO-71 JFET N-CH Pair	11.96
526-NTE466	TO-18 N-CH JFET	2.97
526-NTE467	TO-92 JFET Hi-Spd Sw	1.31
526-NTE472	TO-39 NPN RF Pwr Driver	5.34
526-NTE473	TO-39 NPN RF Pwr Driver	6.27
526-NTE474	TO-202 NPN RF Power	12.45
526-NTE476	TO-60 NPN RF Power Out	38.96
526-NTE485	Power Transistor	63.12
526-NTE486	TO-39 NPN RF Freq Amp	5.34
526-NTE488	TO-39 NPN RF Pwr Output	13.68
526-NTE500A	HV Multipl, Tripler	22.28
526-NTE504	Hi-V RECT 19.8K PRV	4.80
526-NTE505	Hi-V RECT 22K PRV	4.55
526-NTE506	DO-41 Fast Rec Rectifier	1.78
526-NTE507	DO-41 Fast Rec Rectifier	1.32
526-NTE512	High Voltage Rectifier	11.48

For quantities greater than listed call for quote

MOUSER STOCK NO.	Description	Price Each
		1-99
526-NTE513	Hi-V Rect 45KV PRV	33.04
526-NTE514	High Voltage Rectifier	10.36
526-NTE519	DO-35 100V Fast Sw	1.08
526-NTE522	Hi-Voltage Multiplier	24.00
526-NTE529	Hi-Voltage Multiplier	26.00
526-NTE531	Hi-Voltage Multiplier	25.90
526-NTE538	Hi-Voltage Multiplier	26.00
526-NTE552	DO-41 GP Fast Rectifier	1.39
526-NTE555	UHF/VHF Detector Diode	1.92
526-NTE556	Hi-V Multiplier	31.12
526-NTE558	DO-41 GP Hi-V Rectifier	2.46
526-NTE579	DO-27 GP Schottky Rectifier	2.75
526-NTE582	DO-35 Schottky Barrier	2.34
526-NTE585	DO-41 Schottky Barrier	1.29
526-NTE598	TO-220 600V 8A Ultra Fast	2.30
526-NTE701	DIP-16 Vid Sig Processor	7.70
526-NTE703	RF/IF Amp 8 Pin Epoxy	3.29
526-NTE708	DIP-14 TV/FM Snd IF Amp	5.40
526-NTE709	DIP-14 TV/FM Snd IF Amp	4.70
526-NTE712	DIP-14 Sound IF Det	5.06
526-NTE713	DIP-14 Chroma Demod	6.90
526-NTE714	DIP-16 Chroma Subcar	5.35
526-NTE715	DIP-14 Chroma IF Amp	5.30
526-NTE721	DIP-14 Dual Low-Lv PreAmp	7.45
526-NTE722	DIP-14 FM Stereo MLTP	5.90
526-NTE723	DIP-14 FM Sound System	6.35
526-NTE725	DIP-14 PreAmp/OP Amp	8.09
526-NTE726	Wide Band Amplifier	5.00
526-NTE731	DIP-16 Vid Sig Processor	6.85
526-NTE738	DIP-14 Chroma Proc	8.30
526-NTE739	DIP-14 Chroma Demod	8.30
526-NTE740A	DIP-14 2W Audio Amp	6.23
526-NTE742	DIP-16 2W TV Sound Ch	8.85
526-NTE743	DIP-16 PLL Stereo Det	10.65
526-NTE746	DIP-8 Linear IF Amp	3.40
526-NTE747	DIP-8 Vid Det Low Lev	3.92
526-NTE748	DIP-14 TV Sound Circ	11.79
526-NTE749	DIP-14 TV Vid IF Amp	7.25
526-NTE754	DIP-4 Single Tog F/F	1.58
526-NTE778A	DIP-8 Dual Op Amp	3.81
526-NTE783	DIP-14 Auto Fine Tune	5.40
526-NTE784	Wide Band Power Amp	10.13
526-NTE788	DIP-16 IF Sys/FM Receiver	6.90
526-NTE790	Dual Chroma Demod	9.87
526-NTE791	DIP-16 Chroma Dem Amp	5.77
526-NTE793	DIP-14 Vert Countdown	7.15
526-NTE797	DIP-16 Chroma Processor	6.33
526-NTE799	DIP-14 4-Ch Decoder	9.05
526-NTE801	DIP-14 FM Stereo Dem	8.10
526-NTE810A	DIP-14 2W Audio PO	6.80
526-NTE815	DIP-8 TV Horiz Processor	3.21
526-NTE818	DIP-16 TV Lum Processor	4.70
526-NTE821	DIP-14 TV Chroma Demod	5.36
526-NTE822	DIP-16 Video Processor	9.70
526-NTE823	DIP-8 Low V Audio Amp	2.31
526-NTE824	DIP-8 Low No DL PreAmp	2.93
526-NTE825	DIP-14 Batt Oper Amp	3.80
526-NTE828	DIP-14 1.5W Power Amp	3.05
526-NTE829	DIP-8 EL Attenuator	3.50
526-NTE832	DIP-8 Tone Decoder	4.08
526-NTE834	DIP-14 Lo Pwr Quad Comp	2.88
526-NTE835	DIP-16 Chroma Processor	6.52
526-NTE836	DIP-8 TV Horiz Processor	2.92
526-NTE843	DIP-16 TV Video IF PLL	8.10
526-NTE844	DIP-28 Chroma/Lum Pro	14.87
526-NTE846	DIP-18 TV Video Mod	5.40
526-NTE849	DIP-14 TV Countdown Sys	9.20
526-NTE851	DIP-14 U/VHF DESCLR	9.70
526-NTE853	DIP-16 Low Power FM/IF	5.30
526-NTE857M	DIP-8 Op Amp JFET-IN	4.08
526-NTE858M	DIP-8 Op Amp JFET-IN	3.63
526-NTE859	DIP-14 Quad Op Amp	3.98
526-NTE860	DIP-18 Hi-Gain FM IF Sys	5.35
526-NTE862	DIP-14 Audio Power Amp	3.90
526-NTE863	DIP-8 Op Amp/Comparator	4.05
526-NTE864	DIP-14 Prog WWFM Gen	7.58
526-NTE868	DIP-24 Cntdwn Dig Syn	14.51
526-NTE869	DIP-14 Prog Current Amp	4.10
526-NTE873	Luminance Chroma Proc	13.70
526-NTE898M	Dual Lo Pwr JFET Op Amp	1.92
526-NTE902	Oper Transconduct Amp	3.34
526-NTE904	Gen Pwr Trans Arry	4.66
526-NTE909	8-CAN 18V Op Amp	2.42
526-NTE909D	DIP-14 18V Op Amp	1.44

For quantities greater than listed call for quote

MOUSER STOCK NO.	Description	Price Each
		1-99
526-NTE910	Hi-Speed VTG Comp	3.15
526-NTE910D	DIP-14 Hi-Speed Comp	1.67
526-NTE911	Dual Comparator	2.71
526-NTE912	DIP-14 CP Trans Array	5.18
526-NTE914	DIP-14 Zero-Voltage Sw	10.32
526-NTE915	High Speed Op Amp	7.75
526-NTE916	DIP-16 Com EM Array	4.50
526-NTE917	Dual Array/Diff Amp	4.30
526-NTE918	High Speed Op Amp	5.25
526-NTE918M	DIP-8 High Speed Op Amp	4.50
526-NTE919D	DIP-14 Hi-Speed DL Comp	4.54
526-NTE922	8-GAN Volt Comparator	2.89
526-NTE922M	DIP-8 Volt Comparator	2.86
526-NTE924	Voltage Follower/Op Amp	3.75
526-NTE926	DIP-16 Quad Timer	3.31
526-NTE927	Diff Video Amp	4.40
526-NTE927D	DIP-14 Diff Video Amp	2.30
526-NTE928	Low Power Dual Op Amp	2.93
526-NTE928M	DIP-8 Dual Op Amp	3.13
526-NTE929	DIP-16 GP Trans Array	1.71
526-NTE930	BIMOS Op Amp	5.82
526-NTE931	TO-3 +V Reg 5V 3A	12.83
526-NTE933	TO-3 +V Reg 12V 5A	26.79
526-NTE937	JFET Input Op Amp	3.22
526-NTE937M	DIP-8 Dual Op Amp	2.99
526-NTE938	Precision Op Amp	2.85
526-NTE938M	DIP-8 Precision Op Amp	2.10
526-NTE941	Freq Comp Op Amp	1.92
526-NTE941D	DIP-14 Freq Comp Op Amp	3.34
526-NTE942	DIP-8 Freq Comp Op Amp	0.99
526-NTE942	DIP-14 Dual PreAmp	10.37
526-NTE943	Low Pwr Dual Volt Comp	5.23
526-NTE943M	DIP-8 Low Pwr Volt Comp	3.88
526-NTE944	Programmable Op Amp	5.16
526-NTE944M	DIP-8 Program Op Amp	3.10
526-NTE947	Dual 18V Op Amp	6.25
526-NTE947D	DIP-14 Dual Op Amp	6.65
526-NTE948	DIP-14 Quad Op Amp	3.59
526-NTE952	TO-92 Prec 2.5V Shtnt	3.15
526-NTE955M	DIP-8 18V Timer	1.86
526-NTE955S	SIP-8 Monolithic Timer	1.90
526-NTE972	TO-220 +V Reg 24V 1A	3.73
526-NTE973D	DIP-14 Bal Mod/Demod	3.20
526-NTE974	DIP-14 Phase/Freq Det	7.15
526-NTE975	DIP-8 Gen Pur Op Amp	2.58
526-NTE976	DIP-8 18V Op Amp	2.82
526-NTE978	DIP-14 Dual Timer	2.78
526-NTE982	DIP-16 TV Chroma Sys	3.25
526-NTE984	DIP-16 Video IF Sys	9.54
526-NTE985	DIP-16 TV Lum Processor	16.08
526-NTE987	DIP-14 Quad Op Amp	2.48
526-NTE989	DIP-14 Pur PLL	2.80
526-NTE990	DIP-14 Dual Power Amp	6.29
526-NTE992	DIP-14 Dual Input Amp	2.95
526-NTE994M	DIP-8 Voltage Cont Osc	3.25
526-NTE995	DIP-14 Freq-Volt Converter	3.75
526-NTE995M	DIP-8 Freq-Volt Converter	3.88
526-NTE996	DIP-8 Op Transduc Amp	1.43
526-NTE997	DIP-14 Quad Op Amp	3.75
526-NTE1003	DIP-14 FM/AM IF Amp	7.97
526-NTE1015	SIP-9 Hybrid AF Preamp	3.98
526-NTE1058	SIP-9 Audio Power Amp	8.54
526-NTE1075A	DIP-14 1W Audio Pwr Amp	11.15
526-NTE1080	DIP-14 TV Video Processor	8.80
526-NTE1110	DIP-16 2W Audio Pwr Amp	15.10
526-NTE1115	DIP-12 Audio Power Amp	8.59
526-NTE1115A	DIP-12 Audio Power Amp	8.59
526-NTE1116	DIP-12 Audio Power Amp	6.20
526-NTE1117	DIP-14 Audio Power Amp	6.25
526-NTE1140	DIP-8 Audio Power Amp	9.45
526-NTE1154	DIP-14 Audio Power Amp	8.99
526-NTE1164	DIP-16 VI Jungle Cir	10.53
526-NTE1166	SIP-10 5.8W Audio Output	10.19
526-NTE1170	SIP-8 Dual PreAmp	7.55
526-NTE1171	8-CAN Op Amp	7.54
526-NTE1174	DIP-14 TV AFT CIRC	4.35
526-NTE1180	DIP-14 Audio Power Amp	6.42
526-NTE1192	SIP-9 VCO FOR PLL	8.38
526-NTE1217	DIP-16 PLL FM DEMOD	7.61
526-NTE1226	DIP-14 PML Stereo DEM	5.07
526-NTE1231	DIP-12 TV Sound CH	5.74
526-NTE1231A	DIP-16 TV Sound CH	6.45
526-NTE1232	TO-220 5LD Audio Amp	6.74
526-NTE1236	DIP-14 TV IF Sound Sys	7.10

The most popular SK products are listed. Thousands of other SK products are in stock, too many to list. Please call your local Mouser Sales Representative.

SK SERIES SOLID STATE REPLACEMENT CROSS REFERENCE DISK

◆ Surface Mount Device

In seconds, you can use your PC to punch up the perfect replacement for over 234,000 of the most commonly specified semiconductors from a selection of more than 3,500 replacements.

Features:

- Description next to part numbers
- Technical notes below descriptions
- Ability to scroll through entire cross reference
- Transfer complements, matched pairs, matched complementary pairs listed in description

Computer Requirements:

- Operates on IBM-PC or compatible that has 640K of RAM, at least 12.5 megabytes of hard disk space and a 3.5" high density floppy disk drive
- DOS or Windows compatible

Software (Does Not Include Pinout or Diagrams)

MOUSER STOCK NO.	Disk Type	Price Each
599-DK1	HD 1.44M 3.5"	5.00

For quantities greater than listed call for quote

MOUSER STOCK NO.	Description	Price Each
		1-99
599-SK2A5	DO-35 2.5V 0.5W Zener	0.62
599-SK2A7	DO-35 2.7V 0.5W Zener	0.62
599-SK5A1	DO-35 5.1V 0.5W Zener	0.62
599-SK5A6	DO-35 0.5W 0.5W Zener	0.62
599-SK6A2	DO-35 6.2V 0.5W Zener	0.62
599-SK6V2	DO-35 1W 6.2V Zener	0.92
599-SK6X2	DO-35 5W 6.2V Zener	2.18
599-SK7X5	DO-35 7.5V 5W Zener	2.18
599-SK8A2	DO-35 8.2V 0.5W Zener	0.62
599-SK9A1	DO-35 9.1V 0.5W Zener	0.62
599-SK10A	DO-35 10.0V 1W Zener	0.62
599-SK12A	DO-35 0.5W 12V Zener	0.62
599-SK15A	DO-35 15.0V 0.5W Zener	0.62
599-SK15X	DO-27 5W 15V Zener	2.18
599-SK16A	DO-35 16.0V 0.5W Zener	0.62
599-SK16V	DO-35 16.0V 1W Zener	0.92
599-SK18A	DO-35 0.5W 18V Zener	0.62
599-SK20A	DO-35 20.0V 0.5W Zener	0.62
599-SK20X	DO-27 20.0V 5W Zener	2.18
599-SK24A	DO-35 24.0V 0.5W Zener	0.62
599-SK24V	DO-35 24.0V 1W Zener	0.92
599-SK27A	DO-35 27.0V 0.5W Zener	0.62
599-SK27V	DO-35 27.0V 1W Zener	0.92
599-SK29V	DO-35 Zener Diode 29V 1W	0.89
599-SK36X	DO-27 5W 36V Zener	2.18
599-SK43A	DO-35 43.0V 0.5W Zener	0.62
599-SK43X	DO-27 43.0V 5W Zener	2.18
599-SK82X	DO-27 82.0V 5W Zener	2.18
599-SK91A	DO-35 91V 0.5W Zener	0.62
599-SK110V	DO-35 110V 1W Zener	0.92
599-SK150A	DO-35 150V 0.5W Zener	0.62
599-SK180A	DO-35 0.5W 180V Zener	0.62
599-SK184	DO-4 10W 50V Zener	6.11
599-SK185	DO-4 50V 10W Zener	6.11
599-SK401B	Radial Trans Surge Supp	7.92
599-SK403B	Radial Trans Surge Supp	8.78
599-SK411	Radial Trans Surge Supp	12.99
599-SK548	DO-5 50W 17V Zener	10.63
599-SK556	DO-5 50W 22V Zener	8.52
599-SK558	DO-5 50W 24V Zener	10.92
599-SK590	DO-5 50W 62V Zener	9.73
599-SK814	DO-27 Thermal Cutoff 66°C	1.20
599-SK1802	DIP-40 8-BIT Microprocessor	10.83
599-SK1806	DIP-40 8-BIT Microprocessor	35.30
599-SK1822	DIP-22 256X4 BIT Static RAM	9.95
599-SK1823	DIP-24 128X8 BIT Static RAM	18.29
599-SK1824	DIP-18 32X8 BIT Static RAM	6.11
599-SK1851	DIP-40 Prog I/O Interface	11.55
599-SK1852	DIP-24 8-BIT I/O Port	2.50
599-SK1853	DIP-16 1-Of-8 Decoder	2.49
599-SK1854	DIP-40 2-Mode UART	7.92
599-SK1855	DIP-28 8-BIT Prog MDU	13.79
599-SK1864	DIP-40 Color TV Interface VDC	13.89
599-SK1871	DIP-40 Keyboard Encoder	7.65
599-SK1872	DIP-22 Hi-Speed 8-BIT In Port	4.49
599-SK1874	DIP-22 Hi-Speed 8-BIT In Port	4.49
599-SK1875	DIP-22 Hi-Speed 8-BIT Outport	4.49
599-SK1878	DIP-28 Dual Counter-Timer	12.05
599-SK1881	DIP-20 Lat & Mem Dec Inter	4.19
◆ 599-SK2006A	L-008 Infrared Emit Diode	2.36
599-SK2007	T-1 Red LED	0.50
599-SK2020	T-1 3/4 Flooded Red	0.61

For quantities greater than listed call for quote

MOUSER STOCK NO.	Description	Price Each
		1-99
599-SK2023	T-1 3/4 Diffused Org	1.29
599-SK2025	T-1 3/4 Red LED	0.67
599-SK2035A	L-013 NPN Photo Trans	1.98
599-SK2041	NPN Photo Transistor	1.89
599-SK2042	DIP-6 NPN Photo Transistor	1.57
599-SK2046	Photo Thyristor SCR	1.60
599-SK2064	.3" Yel Display Ca LHDP	3.25
599-SK2079	.56" Red Display CC RHDP	3.15
599-SK2086	NPN Photo Transistor	3.65
599-SK2087	NPN Photo Transistor	9.80
599-SK2111	Red LED Bargraph	6.20
599-SK2214	1K x 4 SRAM 450ns	12.10
599-SK2716	2K x 8 UVEPROM 450ns	13.76
599-SK3004	TO-1 PNP Power Out Stg	1.90
599-SK3007A	TO-1 PNP AF Out Stg	4.85
599-SK3009	TO-3 PNP Gen Pur Hi-Pwr	8.30
599-SK3017B	600V 1A Rectifier	1.46
599-SK3020	TO-39 NPN Small Signal	1.73
599-SK3026	TO-66 NPN Audio Out	2.95
599-SK3027	TO-3 NPN Audio Out	3.90
599-SK3028	TO-66 NPN Audio Out	5.89
599-SK3031A	GE-3 NPN Vert Diode 400V	0.79
599-SK3043B	DO-15 Gen Pur 1000V	3.45
599-SK3049	TO-39 NPN Transmitter Out	8.55
599-SK3050	TO-72 N-Chan MOSFET	2.93
599-SK3051P10	DO-201 AD GP 1000V	1.05
599-SK3054	TO-220 NPN Gen Pur	2.99
599-SK3065	TO-72 N-Ch Mosfet	4.86
599-SK3067	12.4KV Hi-Volt Rect	3.30
599-SK3074	DIP-16 Chroma Demod	7.29
599-SK3081P100	DO-41 Gen Pur 1000V	0.79
599-SK3083	TO-220 PNP Vert Defl Amp	2.72
599-SK3090	DO-7 100V 0.2A Rect	0.65
599-SK3100	DO-35 Fast Rec Rect 75V	0.99
599-SK3100P10	DO-35 Fast Rec 75V	0.99
599-SK3104A	TO-39 NPN TV Drvr/Out	2.15
599-SK3112	TO-92 N-Chan JFET	2.15
599-SK3114A	TO-92 PNP AF Power Amp	1.38
599-SK3117	TO-72 NPN RF/TV/VHF	2.10
599-SK3118	TO-92 PNP AM/FM Stg	1.10
599-SK3122	TO-92 NPN AM/FM Stg	1.60
599-SK3123	DO-8 PNP AF Amp	9.08
599-SK3124A	DO-92 NPN AF Power Amp	1.32
599-SK3130	DO-1 1500V 1Amp Rect	1.40
599-SK3137	TO-92 NPN AF Med Pwr STG	1.80
599-SK3159	DIP-14 FM Multi Decoder	6.19
599-SK3178B	TO-202 NPN AF Med Pwr	3.65
599-SK3180	TO-220 NPN Darl Amp	2.62
599-SK3182	TO-3 NPN Darl Amp	3.48
599-SK3189A	TO-220 NPN AF Hi-Power	5.25
599-SK3190	TO-126 NPN AF Hi-Power	2.10
599-SK3194	TO-66 NPN Horiz Out	8.45
599-SK3197	TO-220 NPN RF Out Stage	6.30
599-SK3199	TO-202 NPN AF Med Power	2.41
599-SK3226	DIP-16 Chroma Demod	11.45
599-SK3227	DIP-16 Chroma Sig Pro	9.68
599-SK3244	TO-92 NPN TV Video Out	1.30
599-SK3245	TO-92 NPN AF Preamp	0.95
599-SK3246A	TO-92 NPN Broadcast Rcvr	1.74
599-SK3248	TO-220 NPN AF Driver/Out	2.55
599-SK3259	TO-39 PNP Driver/Out	3.15
599-SK3261	TO-66 NPN High Volt	3.50
599-SK3265	TO-39 NPN Driver/Out	2.00
599-SK3275	TO-92 NPN High Voltage	1.05
599-SK3286	DIP-16 Chroma Sig Pro	8.35
599-SK3293	TO-92 NPN AM/FM Stage	1.60
599-SK3297	TO-3 NPN Aud Out	6.30
599-SK3300	Hi-Volt Multirpl 40KV	27.95
599-SK3306	DIP-8 Hi-Speed Op Amp	18.42
599-SK3311	DO-41 1A 200V Rectifier	0.30
599-SK3312	DO-41 1A 400V Rectifier	0.35
599-SK3313	DO-41 1A 600V Rectifier	0.745
599-SK3318A	DO-15 Fast Rec 600V	2.75
599-SK3322	DO-35 Fast Rec 30V	2.69
599-SK3323	Var Diode 30V 280MW	1.03
599-SK3434	TO-92 PNP GP Hi-Volt	0.98
599-SK3438	TO-3 NPN Vert Deflec	8.95
599-SK3440	TO-220 NPN AF Power	2.97
599-SK3441	TO-220 NPN AF Power	3.25
599-SK3444	TO-18 NPN Gen Pur SS	1.39
599-SK3449	NPN Audio Driver/Out	1.64
599-SK3450	TO-92 PNP Audio Driver/Out	1.54
599-SK3452	TO-92 NPN Video Amp	1.64

For quantities greater than listed call for quote

MOUSER STOCK NO.	Description	Price Each
		1-99
599-SK3456	DIP-16 4W Audio Amp	7.09
599-SK3465	DIP-8 Dual Op Amp	3.65
599-SK3466	TO-92 PNP AF Med Power	1.64
599-SK3479	TO-92 NPN Med Power	1.25
599-SK3503	DO-5 600V 7A SCR	5.13
599-SK3523	DO-35 2.0A 28-36V Diac	1.35
599-SK3594	TO-3 Sw Rect 600V	10.13
599-SK3529	TO-39 NPN Hi-Volt Sw	4.19
599-SK3538	TO-66 NPN Sw Trans	4.75
599-SK3543	DIP-14 Transistor Array	4.80
599-SK3552	DIP-8 Single Op Amp	0.99
599-SK3564	DIP-8 Timer/Osc	1.79
599-SK3574	TO-220 200V 16A SCR	4.50
599-SK3577	TO-5 200V 100A SCR	4.20
599-SK3591	TO-220 +5V Fixed Reg	3.50
599-SK3593	TO-220 +15V Fixed Reg	3.60
599-SK3594	DIP-14 Quad Op Amp	6.95
599-SK3597	TO-220 2.2A 200V SCR	1.45
599-SK3599	DO-4 6A 4400V Rect	4.00
599-SK3617	TO-5 Prog Power Sw	3.57
599-SK3625	TO-66 NPN AF/Power	5.25
599-SK3626	TO-66 NPN Power Sw	3.22
599-SK3629	TO-3 +5V Fixed Reg	5.99
599-SK3630	TO-220 +4V Fixed Reg	3.35
599-SK3638	TO-92 0.8A 100V SCR	1.12
599-SK3642	TO-3 PNP Power Sw	20.95
599-SK3645	TO-5 Single Op Amp	8.45
599-SK3647	200V 2A Full Wave Bridge	2.12
599-SK3662	400V 40A Triac	16.75
599-SK3670	TO-220 +24V Fixed Reg	3.55
599-SK3671	TO-220 -5V Fixed Reg	4.80
599-SK3674	TO-220 -15V Fixed Reg	4.90
599-SK3678	2A 600V FW Bridge	3.05
599-SK3680	25A 200V FW Bridge	5.81
599-SK3688	DIP-14 Op Amp	2.60
599-SK3693	TO-5 Timer/Osc	2.59
599-SK3697	DIP-14 Hi-Volt Arry	2.50
599-SK3711	DIP-14 Lo-Level Video Det	9.40
599-SK3712	SIP-9 Phase Comparator	2.78
599-SK3715	TO-92 PNP AF Driver/Out	1.75
599-SK3720	TO-39 NPN AF Driver	3.42
599-SK3732	DIP-14 4.2W Audio Amp	8.18
599-SK3746	TO-92 P-Chan JFET	1.95
599-SK3747	TO-126 NPN Power Out	2.30
599-SK3829	DIP-16 FM IF Amp	6.90
599-SK3831	TO-92 +6V Volt Reg	2.09
599-SK3835	TO-1 NPN AF Driver	2.02
599-SK3841	TO-92 PNP AF Power Amp	1.63
599-SK3842	TO-92 NPN Power Amp	1.29
599-SK3846	TO-3 PNP AF Power Out	10.95
599-SK3847	TO-39 NPN Power Amp	3.89
599-SK3849	TO-92 NPN AF Power Amp	1.64
599-SK3854	TO-92 NPN Gen Pur SS	1.17
599-SK3861	TO-39 NPN AF Power Amp	5.16
599-SK3866A	NPN AF Pre-Driver	2.90
599-SK3871	4W 35KV Hi-Volt Div	10.13
599-SK3891	DIP-8 Atten For DC Op	3.50
599-SK3892	DIP-14 FM Phase Detect	3.20
599-SK3893	TO-220 NPN Medium Power	2.39
599-SK3896	TO-220 NPN Power Amp	2.14
599-SK3897	TO-220 PNP Power Amp	2.82
599-SK3899	TO-92 NPN Pre-Amp	1.05
599-SK3929	TO-220 NPN Medium Power	3.05
599-SK3932	TO-92 PNP AF / RF Hi-Volt	1.40
599-SK3942	TO-64 200V 90A SCR	14.32
599-SK3947	TO-3 NPN Hi-Power Audio	7.95
599-SK3971	TO-5 Hi-Speed Diff Com	4.77
599-SK3977	TO-72 N-Chan JFET	2.68
599-SK3987	8A 400V FW Bridge	4.10
599-SK3996	TO-126 NPN Audio Amp	2.18
599-SK3997	TO-126 NPN Audio Amp	2.41
599-SK4002B	Dual 4-Input NOR Gate	0.73
599-SK4007UB	Dual Comp Inverter	0.79
599-SK4011B	Quad 2-Input NAND Gate	1.01
599-SK4069UB	Hex Inverter	0.82
599-SK4541B	CMOS Programmable Timer	2.43
599-SK4802	TO-39 Gen Pur Amp 2.9V	8.80
599-SK4803	IC-143 Gen Pur Amp 3.2V	13.46
599-SK4804	TO-39 Gen Pur Amp 5V	13.39
599-SK4815	SIP-10 15W AF Power Amp	6.78
599-SK4909	TO-220AB NPN Horz Defl Circ	5.50
599-SK4918	400V 4 Amp Triac	3.48
599-SK4929	SCR Optoisolator	3.95

The most popular SK products are listed. Thousands of other SK products are in stock, too many to list. Please call your local Mouser Sales Representative.

For quantities greater than listed call for quote

MOUSER STOCK NO.	Description	Price Each
		1-99
599-SK5002	DO-15 200V 1A Rect	1.80
599-SK5014	DO-27 Fast Rec 200V	2.39
599-SK5020	DO-27 Fast Rec 1000V	3.79
599-SK5044	R-097 Full WV Bridge 600V	6.95
599-SK5046	Full WV Bridge 1000V	8.65
599-SK5048	R-097 Full WV Bridge 200V	6.75
599-SK5050	Full WV Bridge 600V	7.39
599-SK5052	R-098 Full WV Bridge 1000V	9.05
599-SK5053	SIP-4 Full WV Bridge 200V	2.15
599-SK5054	SIP-4 Full WV Bridge 600V	1.85
599-SK5060	200V 8A Half Wave Bridge	4.15
599-SK5114	DIP-18 1024x4 LSI Stat RAM	11.01
599-SK5236	TO-220 Sw Rect 200V	2.23
599-SK5538	TO-220 100A 400V Triac	2.85
599-SK5704	TO-218 400V Triac	11.80
599-SK6556	DO-9 600V 300A GP Rect	53.20
599-SK6627	TO-48 22A 400V SCR	12.72
599-SK7110	DO-4 16A 1000V Rectifier	8.75
599-SK7240	DO-5 600V 60A Rect	16.55
599-SK7303	600V 100A Full Wave Bridge	100.00
599-SK7330	R-068 High Volt Rectifier	5.69
599-SK7494	4-Bit Shift Register	2.12
599-SK7602	DIP-28 Phase Controller	16.25
599-SK7604	SIP-9 FM Diff IF Amp	4.50
599-SK7609	SIP-9 Tape Prog Detector	1.89
599-SK7613	DIP-16 PLL Cir Decoder	7.69
599-SK7614	DIP-8 Audio Driver	3.99
599-SK7617	DIP-14 Diff Vid Amp	2.60
599-SK7623	DIP-18 AM/FM IF Amp	3.55
599-SK7628	DIP-16 Video IF Amp/Detect	6.25
599-SK7632	DIP-30 TV IF Sys W/AFT	12.35
599-SK7638	DIP-18 Dot/Bar Display Driver	8.18
599-SK7643	DIP-8 Adj +Volt Reg	1.77
599-SK7674	DIP-16 AM/FM IF System	5.47
599-SK7678	DIP-16 TV Sound System	5.79
599-SK7682	TO-5 Micropower Op Amp	3.19
599-SK7683	DIP-8 BIPOMOS Op Amp	2.39
599-SK7690	TO-5 MOSFET IN Op Amp	3.50
599-SK7691	DIP-8 MOSFET IN Op Amp	2.29
599-SK7695	TO-5 MOSFET IN Op Amp	3.75
599-SK7696	DIP-8 MOSFET IN Op Amp	2.85
599-SK7697	DIP-8 Dual BIMOS Op Amp	3.59
599-SK7698	DIP-18 Dual BIMOS Op Amp	3.59
599-SK7706	TO-220 10W Audio Pwr Amp	10.19
599-SK7709	DIP-8 Op Amp	4.75
599-SK7710	DIP-8 Overvolt Sensing	3.40
599-SK7714	DIP-14 BIMOS-Input Op Amp	2.39
599-SK7715	DIP-22 Picture Tube BIAS	8.65
599-SK7727	DIP-16 TV Chroma Processor	12.59
599-SK7733	DIP-40 Quad NPN Darl Arr	5.99
599-SK7738	DIP-18 TV Tuner Band Selsw	6.65
599-SK7740	TO-3P Fixed +12V Volt Reg	6.45
599-SK7741	Fixed +15 Volt Reg	6.75
599-SK7742	Fixed +24V Voltage Regulator	6.65
599-SK7758	DIP-12 1W Aud Power	8.55
599-SK7765	DIP-16 TV Chroma Processor	11.15
599-SK7784	DIP-14 TV Sound IF Amp	6.60
599-SK7790	SIP-10 5.8W Aud Pwr Amp	11.33
599-SK7811	SIP-15 Fixed 16V Voltage Reg	12.36
599-SK7816	DIP-14 TV Video IF Amp	8.99
599-SK7C14	Hex Schmitt Inverter	0.79
599-SK9000	DO-15 600V 1A Rect	1.26
599-SK9001	1.5A 200V Half Wave	2.61
599-SK9003	DO-27 50V 3.0A Rect	0.58
599-SK9007	DO-27 3A 400V Rectifier	1.18
599-SK9011	DIP-8 Dual Comparator	4.35
599-SK9012	DIP-14 2W Dual AF Power	6.50
599-SK9034	TO-3 PNP Hi-Power AF	11.40
599-SK9041	TO-126 NPN AF Driver	1.96
599-SK9042	TO-126 PNP AF Driver	2.00
599-SK9047	DIP-24 Aud Sig Processor	10.67
599-SK9050	SIP-7 VCR Freq Div	6.21
599-SK9055	DIP-24 VCR Mtr Drive	9.99
599-SK9069	DIP-20 Stereo Demod	11.85
599-SK9072	TO-72 N-Chan JFET	1.73
599-SK9073	SIP-5 Voltage Comp	3.96
599-SK9085	NPN Hi-Volt/Speed Sw	7.15
599-SK9089	DIP-8 Tone Decoder	0.90
599-SK9091	DO-35 200V 0.2A Rect	3.99
599-SK9093	DIP-16 7-Ch Input Driver	3.90
599-SK9111	TO-3 NPN Hi-Speed Switch	19.60
599-SK9114	TO-78 NPN Hi-Speed Sw	17.95
599-SK9118	TO-220 NPN TV Vert	2.69

For quantities greater than listed call for quote

MOUSER STOCK NO.	Description	Price Each
		1-99
599-SK9120	TO-92 Bidirect Sw	1.39
599-SK9121	Unijunction Trans	2.65
599-SK9123	TO-18 Unijunction	6.75
599-SK9125	TO-98 350mW Thyristor	5.20
599-SK9132	TO-92 PNP Audio Freq	1.75
599-SK9136	TO-92 PNP Power Amp	8.84
599-SK9137	NPN Lo-Freq Pwr Amp	2.05
599-SK9145	DIP-8 Hi-Speed Op Amp	4.50
599-SK9147	DIP-8 Op Amp	2.77
599-SK9148	TO-71 N-Ch JFET Diff	10.80
599-SK9152	DO-4 Schottky Rectifier	14.25
599-SK9153	DO-4 Schottky Rectifier	17.49
599-SK9154	DO-5 Schottky Rectifier	18.35
599-SK9155	TO-237 N-CH MOSFET	3.29
599-SK9156	TO-52 N-CH MOSFET	7.10
599-SK9157	TO-78 N-CH JFET	1.34
599-SK9158	TO-72 N-CH MOSFET	6.72
599-SK9161	TO-92 N-CH JFET	1.37
599-SK9163	TO-18 N-CH JFET	1.78
599-SK9167	DIP-8 Op Amp	1.90
599-SK9182	DIP-16 TV Vert Defl	11.07
599-SK9201	DIP-8 Op Amp	1.43
599-SK9205	DIP-16 Trans Arry	4.70
599-SK9227	DIP-16 TV Horiz Proc	5.68
599-SK9230	1.0A 200V Full Wave Bridge	1.60
599-SK9237	TO-3 NPN Hi-Power Amp	8.28
599-SK9241	DIP-14 Elect Switch	3.29
599-SK9243	SIP-9 0.8W Audio Amp	3.59
599-SK9258	DIP-8 Dual Diff Op Amp	3.75
599-SK9262	TO-3 NPN Hi Volt	9.80
599-SK9277	TO-5 Dual Volt Comp	3.15
599-SK9278	DIP-8 Dual Volt Comp	1.70
599-SK9301	R-090 Microwave Rect 12KV	10.15
599-SK9306	1.0A 8KV Rectifier	16.00
599-SK9317	DIP-16 AF Power Driver	14.32
599-SK9318	DIP-18 Dis Seg Driver	10.45
599-SK9323	SIP-9 Op Amp/Osc	1.65
599-SK9324	DIP-16 TV Snd IF Det	7.54
599-SK9331	TO-3 +12V Voltage Regulator	7.21
599-SK9346	TO-66 Overvolt Protect	6.79
599-SK9347	TO-66 Overvolt Protect	6.89
599-SK9348	TO-3 Overvolt Protect	7.59
599-SK9350	TO-3 Overvolt Protect	12.15
599-SK9351	PNP TV Vid/Chroma Amp	4.45
599-SK9352	NPN TV Chroma Output	3.00
599-SK9358	SIP-8 VCR Dis Erase	4.15
599-SK9370	TO-126 NPN Hi-Speed Sw	1.45
599-SK9371	NPN Hi-Speed Sw	4.20
599-SK9372	TO-5 BIMOS Op Amp	4.08
599-SK9378	DIP-8 Single Op Amp	1.50
599-SK9386	DIP-18 Op Amp/Quad Comp	9.75
599-SK9390	TO-247 PNP LoFreq Pwr Amp	6.25
599-SK9391	TO-220 NPN Sw XISTR	4.02
599-SK9399	DIP-8 Dual Op Amp	6.69
599-SK9408	TO-252 NPN LoFreq Pwr Amp	2.05
599-SK9409	TO-252 PNP LoFreq Pwr Amp	2.19
599-SK9410	TO-92 NPN Sw Amp	1.49
599-SK9411	TO-3 NPN TV Horiz Defl	7.54
599-SK9413	TO-3P NPN Hi-Curr Sw	4.35
599-SK9415	TO-3P PNP Hi-Curr Sw	4.60
599-SK9417	TO-55 NPN AF Power Amp	1.95
599-SK9418	TO-10 NPN AF Sm Signal	0.95
599-SK9428	PNP Lo-No Diff Amp	2.02
599-SK9431	TO-220 NPN Hi-Volt	3.95
599-SK9444	TO-72 NPN PreAmp Input	1.95
599-SK9445	TO-220 NPN Hi-Volt	4.02
599-SK9446	NPN Hi-Power Linear Amp	9.52
599-SK9452	TO-220 NPN Hi-Speed Sw	3.85
599-SK9453	TO-92 NPN Hi-Curr Sw	0.85
599-SK9454	TO-92 PNP Hi-Curr Sw	1.25
599-SK9456A	TO-92 PNP Darl Amp	0.95
599-SK9457	TO-62 NPN Power Sw Trans	3.95
599-SK9458	TO-62 PNP Power Sw Trans	3.15
599-SK9459	TO-92 NPN Lo-No Amp	1.06
599-SK9463	TO-92 NPN Hi-Curr Driver	0.98
599-SK9464	TO-92 PNP Hi-Curr Driver	0.95
599-SK9465	TO-92 NPN Hi-Speed Sw	0.55
599-SK9466	TO-220 NPN Hi-Volt	1.79
599-SK9467	TO-220 PNP Hi-Volt	3.20
599-SK9469	TO-237 PNP Gen Pur	1.45
599-SK9470	TO-237 NPN Hi-Speed Sw	1.22
599-SK9473	TO-237 NPN Hi-Volt	2.39
599-SK9474	TO-220 NPN Power Trans	1.86

For quantities greater than listed call for quote

MOUSER STOCK NO.	Description	Price Each
		1-99
599-SK9475	TO-220 NPN Darlington	1.82
599-SK9476	TO-218 NPN Hi-Volt	7.10
599-SK9483	NPN TV Power Reg	6.45
599-SK9489	TO-247 PNP Power Amp	6.50
599-SK9500	TO-220 N-CH MOSFET	2.15
599-SK9501	TO-220 N-CH MOSFET	5.95
599-SK9503	TO-220 N-CH MOSFET	3.29
599-SK9504	TO-39 P-CH MOSFET	4.65
599-SK9505	TO-220 P-CH MOSFET	5.50
599-SK9508	TO-220 P-CH MOSFET	11.75
599-SK9637	NPN UHF Transistor	39.95
599-SK9651	TO-319 NPN Sig Amp	5.79
599-SK9703	DIP-24 1024x8 Prom 70NS	12.79
599-SK9705	TO-92 NPN Optoisolator	3.05
599-SK9712	DIP-18 Noise Reduce Sys	7.22
599-SK9713	SIP-8 Filter Seg Proc	1.24
599-SK9715	DIP-8 Remote Control Preamp	1.52
599-SK9717	SIP-9 Rem Cnt PreAmp	1.89
599-SK9718	DIP-16 Quad G-BIT D/A	2.18
599-SK9720	TO-97 NPN AF Amp	1.10
599-SK9721	DIP-8 Dual Comparator	1.71
599-SK9723	DIP-18 VTR Ser Interface	4.23
599-SK9724	DIP-24 VTR DD MTR CIR	14.82
599-SK9725	SIP-9 TV Tuner Band Sw	3.79
599-SK9728	DIP-22 Interface F/Char Patt	8.45
599-SK9729	SIP-7 Vert Defl Cir	3.79
599-SK9732	DIP-22 Noise Reduce	5.08
599-SK9733	DIP-18 VTR Interface Cir	10.55
599-SK9734	DIP-20 VTR Interface Cir	11.83
599-SK9736	SIP-9 NPN Trans Array	3.37
599-SK9737	SIP-9 NPN Trans Array	3.37
599-SK9738	SIP-3 Power Volt Detect Cir	2.14
599-SK9740	SIP-10 Rev Motor Driver	3.99
599-SK9741	TO-98 NPN Inv/Interface/Drv	0.70
599-SK9742	TO-98 NPN Inv/Interface/Drv	0.72
599-SK9840	TO-100 NPN GP Amplifier	1.48
599-SK9854	SIP-3 PWR Volt Detector	2.90
599-SK9744	TO-247 Fixed 134V 1A V Reg	14.82
599-SK9746	SIP-8 Elect Sw F/Vtr	1.33
599-SK9747	SIP-8 Preamp F/Remote	1.52
599-SK9750	DIP-30 TV Vid Def Gir	10.95
599-SK9751	SIP-9 Flesh Color Cor	3.79
599-SK9754	SIP-9 Sync Det F/TV	1.71
599-SK9755	DIP-16 TV Tuner Controller	2.66
599-SK9756	DIP-20 Peripheral Cir	3.89
599-SK9757	SIP-15 2-Ch Volt Amp	17.09
599-SK9760	SIP-12 TV Volt Reg/Aud Amp	6.90
599-SK9761	SIP-12 TV Volt Reg/Aud Amp	15.20
599-SK9762	SIP-7 DC Mir Drvr F/VTR/CD	9.12
599-SK9763	DIP-4 Optoisolator NPN	1.37
599-SK9764	SIP-7 2-In Sw Aud Sig	1.95
599-SK9768	DIP-16 Analog Function Sw	2.89
599-SK9769	DIP-16 Freq Sync F/TV	11.75
599-SK9770	DIP-8 Optoisolator NPN	4.75
599-SK9800	DIP-8 JFET Op Amp	3.75
599-SK9808	TO-220 Triac 400V 25A	7.10
599-SK9814	BCD-to-7 Seg Dec/Drv	5.60
599-SK9838	DIP-28 Vtr Bright Sig	14.82
599-SK9854	SIP-3 Pwr Volt Detect	2.90
599-SK9855	TO-220AB NPN Tran Sw Reg	3.25
599-SK9856	TO-126N NPN Power Amp	1.47
599-SK9908	DIP-16 Darlington Switch	5.25
599-SK9934	1A 40V Schottky Rect	1.04
599-SK9938	1.8A 50V GP Rect	1.41
599-SK9958	PNP Gen Pur Switch	1.37
599-SK9967	DO-35 5.1V 0.5W Zener	5.44
599-SK9972	600V 6A Full Wave Brdg	6.04
599-SK9975	DO-35 Sil Diode	1.23
599-SK9986	TO-218 NPN Horiz Defl Circ	8.45
599-SK10018	SIP-12 AF Power Amp	4.95
599-SK10037	DIP-14 PWM Cont Cir	3.30
599-SK10091	TO-220AB NPN Power Amp	3.21
599-SK10094	PNP Hi-Speed Switch	0.98
599-SK10136	NPN Horiz Deflection	9.64
599-SK10163	Schottky Rect 90V 150A	4.77
599-SK10297	DIP-18 NMOS 64K DRAM	10.66
599-SK10303	TO-220AB N-CH MOSFET	6.79
599-SK10304	TO-220 N-CH JFET	10.99
599-SK10462	TO-92 N-Chan Switch	1.39
599-SK10471	SIP-9 Pwr Supply Controller	5.95
599-SK10472	TV Signal Processor	12.70
599-SK10510	DO-27 400V 5A Rect	2.88
599-SK22100	DIP-16 4X4 Cross Sw W/Mem	3.15

Programmer Accessories / Microprocessors and Peripheral IC's



MEMORY TESTER, ERASERS, AND PROGRAMMER ADAPTORS

SIMM Memory Tester

- For testing Single In-Line Memory (SIMM) (30 and 72 pin)
- Single line LCD & 4 buttons operate through multi-level menu system
- Tests can be executed automatically or choose selected tests to run
- Designed to support future memory modules and chips easily

MOUSER STOCK NO.	Description	Price Each
549-SIMMAX	Universal SIMM tester	665.00

EPROM Erasers

MOUSER STOCK NO.	Description	Price Each
549-DATARASE	UV eraser for 4 EPROMs	39.00
549-DATARASE-T	UV eraser with timer (4)	49.00
549-LA6A	UV eraser for 9 EPROMs	75.00
549-LA6T	UV eraser with timer (9)	85.00
549-CHIP-20	UV eraser with timer (20)	165.00
549-ERAT8Z	UV eraser with timer (25)	185.00

Programmer Adaptors

MOUSER STOCK NO.	Description	Price Each
549-RM4G	RomMax 4 gang adaptor	95.00
549-RM-875X	For 87XX and 87CXX	85.00
549-RM-16BIT	For 16 bit EPROM	85.00
549-RM-PIIC-16C5X	For 16C6X microcontroller	85.00

Manufacturer	Prefix
Harris Semiconductor	570
NEC	551

Microprocessors and Peripheral IC's

Manufacturer	Prefix
NTE	526
SGS Thomson	511

For quantities greater than listed call for quote

MOUSER NO.		Package	Description	Price Each
Mfr.	Industry No.			1-99
CDP 1800 Series MPU, Components				
570 -	CDP1822CE	DIP-22	1K (256 x 4) Asynchronous RAM 450nS	7.92
570 -	CDP1824CE	DIP-18	256 (32 x 8) Asynchronous RAM 700nS	4.82
570 -	CDP1852CE	DIP-24	Byte Wide Input/Output Port	6.78
570 -	CDP1853CE	DIP-16	"N" Bit 1 - of - 8 Decoder	4.20
570 -	CDP1854ACE	DIP-40	Programmable UART 4.6V	6.88
570 -	CDP1871ACE	DIP-40	Keyboard Encoder	6.46
3880 Microprocessor				
526 -	NTE3880	DIP-40	8 Bit NMOS Microprocessor 4 MHz	23.20
6500 / 65C Series MPU, Peripherals				
526 -	NTE6502	DIP-40	8 Bit NMOS Microprocessor 1 MHz	14.00
526 -	NTE6507	DIP-28	8 Bit NMOS Microprocessor with clock 1 MHz	11.75
570 -	CDP65C51E1	DIP-28	Async Comm Interface Adaptor 1 MHz	3.91
6800 / 68B / 6800 Series MPU, Peripherals				
526 -	NTE6800	DIP-40	8 Bit NMOS Microprocessor 1 MHz	15.92
511 -	TS68000CP10	DIP-64	16 Bit NMOS Microprocessor 10 MHz	13.59
526 -	NTE6809	DIP-40	8 Bit NMOS Microprocessor	22.30
526 -	NTE6809E	DIP-40	8 Bit NMOS Microprocessor	22.30
511 -	EF6809P	DIP-40	High-Performance Microprocessor 1 MHz	4.49
526 -	NTE6810	DIP-24	1K Static RAM 450nS	7.95
526 -	NTE6821	DIP-40	NMOS Peripheral Interface Adaptor 1 MHz	8.29
511 -	EF6821P	DIP-40	Peripheral Interface Adaptor 1 MHz	2.25
511 -	EF6840P	DIP-28	NMOS Programmable Timer 1 MHz	2.67
526 -	NTE6850	DIP-24	Async Comm Interface Adaptor 1 MHz	8.38
511 -	EF6850P	DIP-24	Async Comm Interface Adaptor 1 MHz	2.28
511 -	EF6854P	DIP-28	Advanced Data Link Controller 1 MHz	3.75
526 -	NTE6875	DIP-16	NMOS Two-phase Clock Generator/Driver	16.33
511 -	EF68B09P	DIP-40	High Performance Microprocessor 2 MHz	5.70
511 -	EF68B21P	DIP-40	Peripheral Interface Adaptor 2 MHz	2.76
511 -	EF68B40P	DIP-28	Programmable Timer 2 MHz	3.11
511 -	EF68B50P	DIP-24	Async Communications Interface 2 MHz	2.53
7000 V-Series CMOS MPU, Microcomputers				
551 -	70108C8	DIP-40	V20 16 Bit CMOS Microprocessor 8 MHz	6.08
551 -	70108C10	DIP-40	V20 16 Bit CMOS Microprocessor 10 MHz	6.48
551 -	70108HC12	DIP-40	V20H 16 Bit CMOS Microprocessor 12 MHz	12.50
551 -	70108HC16	DIP-40	V20H 16 Bit CMOS Microprocessor 16 MHz	13.30
551 -	70116C8	DIP-40	V30 16 Bit CMOS Microprocessor 8 MHz	13.30
551 -	70116C10	DIP-40	V30 16 Bit CMOS Microprocessor 10 MHz	14.90

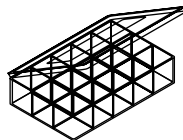
For quantities greater than listed call for quote

MOUSER NO.		Package	Description	Price Each
Mfr.	Industry No.			1-99
7000 V-Series CMOS MPU, Microcomputers (cont.)				
551 -	70116HC12	DIP-40	V30H 16 Bit CMOS Microprocessor 12 MHz	19.65
551 -	70116HC16	DIP-40	V30H 16 Bit CMOS Microprocessor 16 MHz	22.45
551 -	70208L8	PLCC-68	V40 8/16 Bit CMOS MPU 8 MHz	19.20
551 -	70208L10	PLCC-68	V40 8/16 Bit CMOS MPU 10 MHz	22.08
551 -	70216L8	PLCC-68	V40 16 Bit CMOS MPU 8 MHz	21.12
551 -	70216L10	PLCC-68	V50 16 Bit CMOS MPU 10 MHz	24.00
551 -	70320L5	PLCC-84	V25 16 Bit CMOS Microcomputer 5 MHz	17.20
551 -	70320L8	PLCC-84	V25 16 Bit CMOS Microcomputer 8 MHz	17.84
551 -	70325L8	PLCC-84	V25 + 16 Bit CMOS Microcomputer 8 MHz	17.60
551 -	70325L10	PLCC-84	V25 + 16 Bit CMOS Microcomputer 10 MHz	18.24
7100 Series CMOS Peripherals				
551 -	71011C10	DIP-18	Clock Pulse Driver	5.88
551 -	71051C	DIP-28	Serial Control Unit 8 MHz	3.05
551 -	71051C10	DIP-28	Serial Control Unit 10 MHz	3.15
551 -	71054C	DIP-24	Programmable Timer/counter 8 MHz	2.73
551 -	71054C10	DIP-24	Programmable Timer/counter 10 MHz	3.15
551 -	71055C	DIP-40	Parallel Interface Unit 8 MHz	2.49
551 -	71055C10	DIP-40	Parallel Interface Unit 10 MHz	3.18
551 -	71059C	DIP-28	Interrupt Control Unit 8 MHz	2.89
551 -	71059C10	DIP-28	Interrupt Control Unit 10 MHz	3.28
551 -	71071C	DIP-48	8/16 Bit Direct Memory Access Control 10 MHz	10.50
551 -	71082C	DIP-20	8 Bit Non-Inverted Latch	4.28
551 -	71083C	DIP-20	8 Bit Inverted Latch	4.16
551 -	71084C	DIP-18	Clock Pulse Generator/Driver 8 MHz	3.70
551 -	71086C	DIP-20	8 Bit Non-Inverted Bus Buffer/Driver	4.10
551 -	71087C	DIP-20	8 Bit Inverted Bus Buffer/Driver	4.10
551 -	71088C	DIP-20	System Bus Controller 8 MHz	6.12
7200 Series Peripherals				
551 -	72065BC	DIP-40	Floppy Disk Controller 8MHz	10.53
551 -	72001C11	DIP-40	Serial Communication Controller 12.5MHz	15.01
8000 / 8200 / 82C Series MPU, Peripherals				
526 -	NTE8080A	DIP-40	8 Bit NMOS Microprocessor 2 MHz	11.86
526 -	NTE8212	DIP-24	8 Bit Schottky Input/Output Port	4.76
526 -	NTE8224	DIP-16	Schottky Clock Generator and Driver	5.25
526 -	NTE8228	DIP-28	Schottky Single Chip System Controller	11.02
570 -	CDP82C50A5	DIP-40	Async Communication Element	15.36
570 -	CDP82C55A	DIP-40	Programmable Peripheral Interface	6.39

VOLTAGE REGULATOR IC KIT

- 72 pieces
- 18 different devices
- Fully assembled and keyed

MOUSER STOCK NO.	Description	Price Each
370-VRG-1	4 Each: 7805, 7805A, 78S05, 78M05, 7905, 7808, 7908, 7812, 7812A, 78S12, 7912, 7815A, 7915A, 7818, 7918, LM317T, LM337SP and LM723CN	59.95



LINEAR IC KIT

- 72 pieces
- 18 different devices
- Fully assembled and keyed
- Packaged in a sturdy, conductive, plastic storage box

MOUSER STOCK NO.	Description	Price Each
370-LIN-1	5 Each: LM311, LM324, LM339, LF353, LM358, LM393, NE555, NE566, MC1488, MC1489, ULN2003A 3 Each: LF347, LF356, LM741, LM1458, CA3130, CA3140, CA3059	69.95

RAMS and EPROMS

Manufacturer	Prefix
NEC	551
NTE	526
SGS Thomson	511



NEC

◆ Surface Mount Device

For quantities greater than listed call for quote

For quantities greater than listed call for quote

MOUSER NO.		Package	Description	Price
Mfr.	Industry No.			Each
Fast Static RAMS				
511 -	IMS1203P-25S	DIP-18	4K x 1 Fast Static RAM 25nS	3.12
511 -	IMS1203P-35S	DIP-18	4K x 1 Fast Static RAM 35nS	2.99
2100 Series RAMS				
526 -	NTE2102	DIP-16	1K x 1 NMOS Static RAM 350nS	4.48
526 -	NTE2104	DIP-16	4K x 1 NMOS Static RAM 200nS	10.35
526 -	NTE2107	DIP-22	4K x 1 NMOS Dynamic RAM 200nS	7.95
526 -	NTE2114	DIP-18	4K x 1 NMOS Static RAM 300nS	12.10
526 -	NTE2117	DIP-16	16K x 1 NMOS Dynamic RAM 200nS	15.74
526 -	NTE2147	DIP-18	4K x 1 NMOS Static RAM 55nS	8.45
2532 EPROM				
526 -	NTE2532	DIP-24	32K (4K x 8) NMOS EPROM 300nS	24.08
2700 / 27000 Series EPROMS				
511 -	M2716F1	DIP-24	16K (2Kx8) NMOS UV EPROM 450nS	8.40
511 -	M2716F1F1	DIP-24	16K (2Kx8) NMOS UV EPROM 350nS	8.40
511 -	M2732A-2F1	DIP-24	32K (4K x 8) NMOS UV EPROM 200nS	8.40
511 -	M2732A-F1	DIP-24	32K (4K x 8) NMOS UV EPROM 250nS	8.40
511 -	M2732A-3F1	DIP-24	32K (4K x 8) NMOS UV EPROM 300nS	8.40
511 -	M2732A-4F1	DIP-24	32K (4K x 8) NMOS UV EPROM 450nS	8.40
511 -	M2764A-1F1	DIP-28	64K (8K x 8) NMOS UV EPROM 180nS	6.16
511 -	M2764A-2F1	DIP-28	64K (8K x 8) NMOS UV EPROM 200nS	6.16
511 -	M2764AF1	DIP-28	64K (8K x 8) NMOS UV EPROM 250nS	6.16
511 -	M2764A-3F1	DIP-28	64K (8K x 8) NMOS UV EPROM 300nS	6.16
511 -	M2764A-4F1	DIP-28	64K (8K x 8) NMOS UV EPROM 400nS	6.16
511 -	M27128A-2F1	DIP-28	128K (16K x 8) NMOS UV EPROM 200nS	6.16
511 -	M27128A-F1	DIP-28	128K (16K x 8) NMOS UV EPROM 250nS	6.16
511 -	M27128A-3F1	DIP-28	128K (16K x 8) NMOS UV EPROM 300nS	6.16
511 -	M27256-2F1	DIP-28	256K (32K x 8) NMOS UV EPROM 200nS	8.40
511 -	M27256-F1	DIP-28	256K (32K x 8) NMOS UV EPROM 250nS	8.40
511 -	ST27256-25	DIP-28	256K (32K x 8) One Time Prog ROM 250nS	4.83
511 -	M27256-3F1	DIP-28	256K (32K x 8) NMOS UV EPROM 300nS	8.40
511 -	M27512-F1	DIP-28	512K (64K x 8) NMOS UV EPROM 250nS	11.20
511 -	M27512-2F1	DIP-28	512K (64K x 8) NMOS UV EPROM 200nS	11.20
511 -	M27C64A-15F	DIP-28	64K (8K x 8) CMOS UV EPROM 150nS	3.91
511 -	M27C64A-20F	DIP-28	64K (8K x 8) CMOS UV EPROM 200nS	3.91
511 -	M27C64A-25F	DIP-28	64K (8K x 8) CMOS UV EPROM 250nS	3.91
511 -	M27C256B-70XF	DIP-28	256K (32K x 8) CMOS UV EPROM 70nS	4.37
511 -	M27C256B-80XF	DIP-28	256K (32K x 8) CMOS UV EPROM 80nS	3.91
511 -	M27C256B-90B	DIP-28	256K (32K x 8) CMOS OTP EPROM 90nS	3.22
511 -	M27C256B-10F	DIP-28	256K (32K x 8) CMOS UV EPROM 100nS	3.57
511 -	M27C256B-12B	DIP-28	256K (32K x 8) CMOS OTP EPROM 120nS	3.11
511 -	M27C256B-12F	DIP-28	256K (32K x 8) CMOS UV EPROM 120nS	3.57
511 -	M27C256B-15B	DIP-28	256K (32K x 8) CMOS OTP EPROM 150nS	3.11
511 -	M27C256B-15F	DIP-28	256K (32K x 8) CMOS UV EPROM 150nS	3.57
511 -	M27C256B-20B	DIP-28	256K (32K x 8) CMOS OTP EPROM 200nS	3.11
511 -	M27C256B-20F	DIP-28	256K (32K x 8) CMOS UV EPROM 200nS	3.57
511 -	M87C257-12F	DIP-28	256K (32K x 8) CMOS UV EPROM 120nS	7.43
511 -	M87C257-20F	DIP-28	256K (32K x 8) CMOS UV EPROM 200nS	8.05
511 -	M27C512-60XF	DIP-28	512K (64K x 8) CMOS UV EPROM 60nS	3.44
511 -	M27C512-70XF	DIP-28	512K (64K x 8) CMOS UV EPROM 70nS	4.60
511 -	M27C512-80XF	DIP-28	512K (64K x 8) CMOS UV EPROM 80nS	4.19
511 -	M27C512-90B	DIP-28	512K (64K x 8) CMOS OTP EPROM 90nS	3.52
511 -	M27C512-10F	DIP-28	512K (64K x 8) CMOS UV EPROM 100nS	3.80
511 -	M27C512-12B	DIP-28	512K (64K x 8) CMOS OTP EPROM 120nS	3.34
511 -	M27C512-12F	DIP-28	512K (64K x 8) CMOS UV EPROM 120nS	3.80
511 -	M27C512-15B	DIP-28	512K (64K x 8) CMOS OTP EPROM 150nS	3.34
511 -	M27C512-15F	DIP-28	512K (64K x 8) CMOS UV EPROM 150nS	3.80
511 -	M27C512-20B	DIP-28	512K (64K x 8) CMOS OTP EPROM 200nS	3.52
511 -	M27C512-20F	DIP-28	512K (64K x 8) CMOS UV EPROM 200nS	3.80
511 -	M27C512-25F	DIP-28	512K (64K x 8) CMOS UV EPROM 250nS	4.60
511 -	M27C1001-45XF	DIP-32	1M (128 x 8) CMOS UV EPROM 45nS	7.25
511 -	M27C1001-60XF	DIP-32	1M (128 x 8) CMOS UV EPROM 60nS	6.67
511 -	M27C1001-70XF	DIP-32	1M (128 x 8) CMOS UV EPROM 70nS	6.21
511 -	M27C1001-70B	DIP-32	1M (128 x 8) CMOS OTP EPROM 70nS	5.75
511 -	M27C1001-80XF	DIP-32	1M (128 x 8) CMOS UV EPROM 80nS	5.75
511 -	M27C1001-10B	DIP-32	1M (128 x 8) CMOS OTP EPROM 100nS	4.72
511 -	M27C1001-10F	DIP-32	1M (128 x 8) CMOS UV EPROM 100nS	5.18
511 -	M27C1001-12B	DIP-32	1M (128 x 8) CMOS OTP EPROM 120nS	4.72
511 -	M27C1001-12F	DIP-32	1M (128 x 8) CMOS UV EPROM 120nS	5.18
511 -	M27C1001-15B	DIP-32	1M (128 x 8) CMOS OTP EPROM 150nS	4.72
511 -	M27C1001-15F	DIP-32	1M (128 x 8) CMOS UV EPROM 150nS	5.18
511 -	M27C1001-20F	DIP-32	1M (128 x 8) CMOS UV EPROM 200nS	5.18
511 -	M27C1001-25F	DIP-32	1M (128 x 8) CMOS UV EPROM 250nS	6.44
511 -	M27C1024-70XF	DIP-40	1M (64 x 16) CMOS UV EPROM 70nS	8.74
511 -	M27C1024-80XF	DIP-40	1M (64 x 16) CMOS UV EPROM 80nS	8.05
511 -	M27C1024-12F	DIP-40	1M (64 x 16) CMOS UV EPROM 120nS	7.36
511 -	M27C1024-15F	DIP-40	1M (64 x 16) CMOS UV EPROM 150nS	7.36
511 -	M27C1024-20F	DIP-40	1M (64 x 16) CMOS UV EPROM 200nS	8.74
511 -	M27C2001-70XF	DIP-32	2M (256 x 8) CMOS UV EPROM 70nS	9.89
511 -	M27C2001-80XF	DIP-32	2M (256 x 8) CMOS UV EPROM 80nS	9.20
511 -	M27C2001-10F	DIP-32	2M (256 x 8) CMOS UV EPROM 100nS	8.28
511 -	M27C2001-12F	DIP-32	2M (256 x 8) CMOS UV EPROM 120nS	8.28

MOUSER NO.		Package	Description	Price
Mfr.	Industry No.			Each
2700 / 27000 Series EPROMS				
511 -	M27C2001-15F	DIP-32	2M (256 x 8) CMOS UV EPROM 150nS	8.28
511 -	M27C2001-20F	DIP-32	2M (256 x 8) CMOS UV EPROM 200nS	8.28
511 -	M27C4001-70XF	DIP-32	4M (512 x 8) CMOS UV EPROM 70nS	16.56
511 -	M27C4001-80XF	DIP-32	4M (512 x 8) CMOS UV EPROM 80nS	15.18
511 -	M27C4001-10F	DIP-32	4M (512 x 8) CMOS UV EPROM 100nS	13.80
511 -	M27C4001-12B	DIP-32	4M (512 x 8) CMOS OTP EPROM 120nS	12.65
511 -	M27C4001-12F	DIP-32	4M (512 x 8) CMOS UV EPROM 120nS	13.80
511 -	M27C4001-15F	DIP-32	4M (512 x 8) CMOS UV EPROM 150nS	13.80
511 -	M27C4002-80XF	DIP-40	4M (256 x 16) CMOS UV EPROM 80nS	17.71
511 -	M27C4002-10F	DIP-40	4M (256 x 16) CMOS UV EPROM 100nS	16.10
511 -	M27C4002-12F	DIP-40	4M (256 x 16) CMOS UV EPROM 120nS	16.10
511 -	M27C4002-15F	DIP-40	4M (256 x 16) CMOS UV EPROM 150nS	16.10
511 -	M27C801-10F	DIP-32	8M (1M x 8) CMOS UV EPROM 100nS	16.00
511 -	M27C801-12F	DIP-32	8M (1M x 8) CMOS UV EPROM 120nS	16.00
511 -	M27C801-15F	DIP-32	8M (1M x 8) CMOS UV EPROM 150nS	16.00
511 -	M27C160-10F	DIP-42	16M (2M x 8) CMOS UV EPROM 100nS	41.40
511 -	M27C160-15F	DIP-42	16M (2M x 8) CMOS UV EPROM 150nS	41.40
1°C Bus EEPROMS				
511 -	ST24C01B	DIP-8	1K (128 X 8) CMOS EEPROM	.69
◆	ST24C01M	SO-8	1K (128 X 8) CMOS EEPROM	.69
511 -	ST24C02AB	DIP-8	2K (256 X 8) CMOS EEPROM	.81
◆	ST24C02AM	SO-8	2K (256 X 8) CMOS EEPROM	.81
511 -	ST24C04B	DIP-8	4K (2 by 256 x 8) CMOS EEPROM	.87
◆	ST24C04CM	SO-8	4K (2 by 256 x 8) CMOS EEPROM	.87
◆	ST24C04ML	SO-14	4K (2 by 256 x 8) CMOS EEPROM	1.84
511 -	ST24C08B	DIP-8	8K (4 by 256 x 8) CMOS EEPROM	1.33
◆	ST24C08CM	SO-8	8K (4 by 256 x 8) CMOS EEPROM	1.33
511 -	ST24C16CB	DIP-8	16K (8 by 256 x 8) CMOS EEPROM	1.63
◆	ST24C16CM	SO-8	16K (8 by 256 x 8) CMOS EEPROM	1.63
◆	ST24C16CML	SO-14	16K (8 by 256 x 8) CMOS EEPROM	2.65
511 -	ST24W01B	DIP-8	1K (128 x 8) CMOS EEPROM	.74
◆	ST24W01M	SO-8	1K (128 x 8) CMOS EEPROM	.74
511 -	ST24W02CB	DIP-8	2K (256 x 8) CMOS EEPROM	.85
◆	ST24W02M	SO-8	2K (256 x 8) CMOS EEPROM	.85
511 -	ST24W04CB	DIP-8	4K (512 x 8) CMOS EEPROM	.92
◆	ST24W04CM	SO-8	4K (512 x 8) CMOS EEPROM	.92
511 -	ST24W08B	DIP-8	8K (1K x 8) CMOS EEPROM	1.43
◆	ST24W08M	SO-8	8K (1K x 8) CMOS EEPROM	1.43
511 -	ST24W16B	DIP-8	16K (2K x 8) CMOS EEPROM	1.75
511 -	ST25C01B	DIP-8	1K (128 x 8) CMOS EEPROM	.76
◆	ST25C01M	SO-8	1K (128 x 8) CMOS EEPROM	.76
511 -	ST25C02AB	DIP-8	2K (256 x 8) CMOS EEPROM	.87
◆	ST25C02AM	SO-8	2K (256 x 8) CMOS EEPROM	.87
511 -	ST25C04B	DIP-8	4K (512 x 8) CMOS EEPROM	.97
◆	ST25C04CM	SO-8	4K (512 x 8) CMOS EEPROM	.97
511 -	ST25C08B	DIP-8	8K (1K x 8) CMOS EEPROM	1.47
◆	ST25C08CM	SO-8	8K (1K x 8) CMOS EEPROM	1.47
511 -	ST25C16CB	DIP-8	16K (2K x 8) CMOS EEPROM	1.82
◆	ST25C16CM	SO-8	16K (2K x 8) CMOS EEPROM	1.82
511 -	ST25W01B	DIP-8	1K (128 x 8) CMOS EEPROM	.81
◆	ST25W01M	SO-8	1K (128 x 8) CMOS EEPROM	.81
511 -	ST25W02CB	DIP-8	2K (256 x 8) CMOS EEPROM	.92
◆	ST25W02M	SO-8	2K (256 x 8) CMOS EEPROM	.92
511 -	ST25W04CB	DIP-8	4K (512 x 8) CMOS EEPROM	1.01
◆	ST25W04CM	SO-8	4K (512 x 8) CMOS EEPROM	1.01
1x1°C Bus EEPROM				
511 -	ST24E32B	DIP-8	32K (8 by 512 x 8) CMOS EEPROM	2.19
◆	ST24E32M	SO-8	32K (8 by 512 x 8) CMOS EEPROM	2.19
511 -	ST25E32B	DIP-8	32K (8 by 512 x 8) CMOS EEPROM	2.42
◆	ST24E64B	DIP-8	64K (8 by 1K x 8) CMOS EEPROM	2.65
◆	ST24E64M	SO-8	64K (8 by 1K x 8) CMOS EEPROM	2.65
28C Series EEPROMS				
◆	551 - 28C04G20	SO-24	4K (128 x 8) CMOS EEPROM 200ns	4.45
511 -	M28C64C-15K	PLCC-32	64K (8K x 8) CMOS EEPROM 150ns	7.48
◆	511 - M28C64C-15MS	SO-28	64K (8K x 8) CMOS EEPROM 150ns	6.90
511 -	M28C64C-15P	DIP-28	64K (8K x 8) CMOS EEPROM 150ns	7.48
511 -	M28C64C-20K	PLCC-32	64K (8K x 8) CMOS EEPROM 200ns	7.48
◆	511 - M28C64C-20MS	SO-28	64K (8K x 8) CMOS EEPROM 200ns	6.90
511 -	M28C64C-20P	DIP-28	64K (8K x 8) CMOS EEPROM 200ns	7.48
Microwire Bus EEPROMS				
511 -	ST93C06B	DIP-8	256 (16 x 16 or 32 x 8) CMOS EEPROM	.69
◆	ST93C06M	SO-8	256 (16 x 16 or 32 x 8) CMOS EEPROM	.69
511 -	ST93C46AB	DIP-8	1K (64 x 16 or 128 x 8) CMOS EEPROM	.69
◆	ST93C46AM	SO-8	1K (64 x 16 or 128 x 8) CMOS EEPROM	.69
◆	511 - ST93C46CM	SO-8	1K (64 x 16 or 128 x 8) CMOS EEPROM	.90
511 -	ST93C56B	DIP-8	2K (128 x 16 or 256 x 8) CMOS EEPROM	.81
◆	511 - ST93C56M	SO-8	2K (128 x 16 or 256 x 8) CMOS EEPROM	.81
◆	511 - ST93C66CM	SO-8	4K (256 x 16 or 512 x 8) CMOS EEPROM	.97
511 -	ST93CS46B	DIP-8	1K (64 x 16) CMOS EEPROM	.7

RAMS and EPROMS / Universal Programmers

Manufacturer	Prefix
NEC	551
NTE	526
SGS Thomson	511



◆ Surface Mount Device

For quantities greater than listed call for quote

For quantities greater than listed call for quote

MOUSER NO.		Package	Description	Price Each
Mfr.	Industry No.			1-99
Microwire Bus EEPROMS (Cont.)				
511 -	ST93CS47B	DIP-8	1K (64 x 16) CMOS EEPROM	.83
◆ 511 -	ST93CS47M	SO-8	1K (64 x 16) CMOS EEPROM	.83
511 -	ST93CS56B	DIP-8	2K (128 x 16) CMOS EEPROM	1.08
◆ 511 -	ST93CS56M	SO-8	2K (128 x 16) CMOS EEPROM	1.08
511 -	ST93CS57B	DIP-8	2K (128 x 16) CMOS EEPROM	1.20
◆ 511 -	ST93CS57M	SO-8	2K (128 x 16) CMOS EEPROM	1.20
511 -	ST93CS66B	DIP-8	4K (256 x 16) CMOS EEPROM	1.27
◆ 511 -	ST93CS66ML	SO-8	4K (256 x 16) CMOS EEPROM	2.16
Flash EPROMS				
511 -	M28F256A-12B	DIP-32	256K (32K x 8) CMOS 120nS	8.74
511 -	M28F256A-15B	DIP-32	256K (32K x 8) CMOS 150nS	8.74
511 -	M28F256A-15C	PLCC-32	256K (32K x 8) CMOS 150nS	8.74
511 -	M28F512-12B	DIP-32	512K (64K x 8) CMOS 120nS	5.98
511 -	M28F512-15B	DIP-32	512K (64K x 8) CMOS 150nS	9.66
511 -	M28F101-12P	DIP-32	1M (128K x 8) CMOS 120nS	6.21
511 -	M28F101-15P	DIP-32	1M (128K x 8) CMOS 150nS	6.21
511 -	M28F101-20P	DIP-32	1M (128K x 8) CMOS 200nS	10.93
4164 Dynamic Video RAM				
526 -	NTE4164	DIP-16	64K Dynamic RAM - NMOS 150nS	8.31
41000 Series Dynamic RAMS				
551 -	41464C10	DIP-18	256K (64K x 4) NMOS DRAM 100nS	2.40
4200000 Series Dynamic RAMS				
◆ 551 -	424260LE60	SO-40	4M (256K x 16) CMOS 5V Fast Page 60nS	6.00
◆ 551 -	424260LE70	SO-40	4M (256K x 16) CMOS 5V Fast Page 70nS	6.00
◆ 551 -	4218160LE70	SO-42	16M (1M x 16) CMOS 5V Fast Page 70nS	17.60
◆ 551 -	4217800LE70	SO-28	16M (2M x 8) CMOS 5V Fast Page 70nS	17.60
◆ 551 -	4217400LA60	SO-26	16M (4M x 4) CMOS 3.3V Fast Page 60nS	16.80
43000 Series CMOS Static RAMS				
551 -	43256BCZ70L	DIP-28	256K (32K x 8) CMOS SRAM 70nS	2.40
◆ 551 -	43256BGU70L	SO-28	256K (32K x 8) CMOS SRAM 70nS	1.76
551 -	43256BCZ70LL	DIP-28	256K (32K x 8) Low Pwr CMOS SRAM 70nS	2.40
551 -	43256BGU85L	SO-28	256K (32K x 8) CMOS SRAM 85nS	1.76
551 -	43256BGU85LL	SO-28	256K (32K x 8) Low Pwr CMOS SRAM 85nS	1.76
551 -	431016LE15	SO-44	1M (64K x 16) CMOS SRAM 15nS	5.60
551 -	431008LE15	SO-32	1M (128K x 8) CMOS SRAM 15nS	5.60
551 -	431000AGW70L	SO-32	1M (128K x 8) CMOS SRAM 70nS	5.20
551 -	431000AGW85L	SO-32	1M (128K x 8) CMOS SRAM 85nS	5.20
◆ 551 -	434008LE20	SO-36	4M (512K x 8) CMOS SRAM 20nS	46.40
MK41H Series SRAMS				
511 -	MK41H66-35	DIP-20	16K x 1 CMOS Static RAM 35nS	5.52
511 -	MK41H68-20	DIP-20	4K x 4 CMOS Static RAM 20nS	11.73
Very Fast Cache TAGRAM™				
511 -	MK41S80N12	DIP-22	16K (4K x4) CMOS TAGRAM 12ns	18.35
511 -	MK41S80N15	DIP-22	16K (4K x4) CMOS TAGRAM 15ns	12.60
511 -	MK41S80N20	DIP-22	16K (4K x4) CMOS TAGRAM 20ns	11.48
511 -	MK41S80N25	DIP-22	16K (4K x4) CMOS TAGRAM 25ns	6.99
MK4500 Series FIFOS				
511 -	MK4503-120	DIP-28	2K x 9 CMOS BIPORT FIFO 120nS	15.48
511 -	MK4503-150	DIP-28	2K x 9 CMOS BIPORT FIFO 150nS	15.18

MOUSER NO.		Package	Description	Price Each
Mfr.	Industry No.			1-99
48000 Series Video RAMS				
◆ 551 -	482234LE80	SOJ-40	2M (256K x 8) Fast Page VRAM 80nS	20.80
◆ 551 -	482234G580	SOP-44	2M (256K x 8) Fast Page VRAM 80nS	21.12
◆ 551 -	482235G580	SOP-44	2M (256K x 8) Hyperpage VRAM 80nS	21.12
◆ 551 -	482444GW60	SOP-64	4M (256K x 16) Fast Page VRAM 80nS	16.80
◆ 551 -	482444GW70	SOP-64	4M (256K x 16) Fast Page VRAM 70nS	16.80
◆ 551 -	482445GW60	SOP-64	4M (256K x 16) Hyperpage VRAM 60nS	16.80
◆ 551 -	482445GW70	SOP-64	4M (256K x 16) Hyperpage VRAM 70nS	16.80
TIMEKEEPER™ SRAMS Clock With Battery				
511 -	M48T0212PC1	DIP-24	16K (2K x 8) CMOS SRAM 120nS	20.19
511 -	M48T0215PC1	DIP-24	16K (2K x 8) CMOS SRAM 150nS	17.09
511 -	M48T0220PC1	DIP-24	16K (2K x 8) CMOS SRAM 200nS	15.54
511 -	M48T1215PC1	DIP-24	16K (2K x 8) CMOS SRAM 150nS	17.09
511 -	M48T1220PC1	DIP-24	16K (2K x 8) CMOS SRAM 200nS	15.54
511 -	M48T5970PC1	DIP-28	64K (8K x 8) CMOS SRAM 70nS	19.02
◆ 511 -	M48T5970MH1	SO-28	64K (8K x 8) CMOS SRAM 70nS	15.14
511 -	M48T5970PC1	DIP-28	64K (8K x 8) CMOS SRAM 70nS	19.02
511 -	M48T0810PC1	DIP-28	64K (8K x 8) CMOS SRAM 100nS	22.45
511 -	M48T0815PC1	DIP-28	64K (8K x 8) CMOS SRAM 150nS	19.34
◆ 511 -	M48T1810MH1	SO-28	64K (8K x 8) CMOS SRAM 100nS	15.54
511 -	M48T1810PC1	DIP-28	64K (8K x 8) CMOS SRAM 100nS	22.45
511 -	M48T1815PC1	DIP-28	64K (8K x 8) CMOS SRAM 150nS	19.34
511 -	M4T28BR12SH1	SH-28	Timekeeper SRAM Battery and Crystal	3.10
ZEROPOWER™ SRAMS With Battery				
511 -	M48Z0215PC1	DIP-24	16K (2K x 8) CMOS SRAM 150nS	7.70
511 -	M48Z0220PC1	DIP-24	16K (2K x 8) CMOS SRAM 200nS	7.30
511 -	M48Z1215PC1	DIP-24	16K (2K x 8) CMOS SRAM 150nS	7.70
511 -	M48Z1220PC1	DIP-24	16K (2K x 8) CMOS SRAM 200nS	7.30
511 -	M48Z0810PC1	DIP-28	64K (8K x 8) CMOS SRAM 100nS	11.26
511 -	M48Z0910PC1	DIP-28	64K (8K x 8) CMOS SRAM 100nS	13.20
◆ 511 -	M48Z1810MH1	SO-28	64K (8K x 8) CMOS SRAM 100nS	9.17
511 -	M48Z1810PC1	DIP-28	64K (8K x 8) CMOS SRAM 100nS	11.26
511 -	M48Z1910PC1	DIP-28	64K (8K x 8) CMOS SRAM 100nS	13.20
511 -	M48Z32Y85PC1	DIP-28	256K (32K x 8) CMOS SRAM 85nS	19.09
511 -	M48Z128Y85PM1	PMDIP-32	256K (32K x 8) CMOS SRAM 85nS	34.18
511 -	M48Z32Y10PC1	DIP-28	256K (32K x 8) CMOS SRAM 100nS	17.55
511 -	M48Z3010PM1	PMDIP-28	256K (32K x 8) CMOS SRAM 100nS	17.12
511 -	M48Z30Y10PM1	PMDIP-28	256K (32K x 8) CMOS SRAM 100nS	17.12
511 -	M48Z128Y12PM1	PMDIP-32	256K (32K x 8) CMOS SRAM 120nS	31.84
511 -	M4Z28BR00SH1	SH-28	ZeroPower SRAM Battery	3.91
65101 CMOS SRAM				
526 -	NTE65101	DIP-22	1K Static RAM - NMOS 450nS	14.80
Very Fast CMOS SRAMS				
◆ 511 -	M638032-15E	SO-28	256K (32K x 8) 3.3V CMOS SRAM 15nS	10.81
◆ 511 -	M638032-20E	SO-28	256K (32K x 8) 3.3V CMOS SRAM 20nS	10.35
◆ 511 -	M628032-15E	SO-28	256K (32K x 8) 5.0V CMOS SRAM 15nS	9.43
◆ 511 -	M628128-15E	SO-32	1M (128K x 8) 5.0V CMOS SRAM 15nS	46.00
◆ 511 -	M628128-17E	SO-32	1M (128K x 8) 5.0V CMOS SRAM 17nS	52.88
◆ 511 -	M628128-20E	SO-32	1M (128K x 8) 5.0V CMOS SRAM 20nS	38.46
◆ 511 -	M628128-25E	SO-32	1M (128K x 8) 5.0V CMOS SRAM 25nS	35.93
◆ 511 -	M624256-20E	SO-28	1M (256K x 4) 5.0V CMOS SRAM 20nS	38.46
◆ 511 -	M624256-25E	SO-28	1M (256K x 4) 5.0V CMOS SRAM 25nS	36.25



EPROM / EPROM / MICROCONTROLLER PROGRAMMERS

System Requirements for all Programmers:

- IBM PC/XT/AT/386/486 or compatible, including most clones
- 512K of RAM is recommended
- A hard disk drive is recommended for software installation
- MS-DOS 2.11 or later

RomMax/RomMax-4G EPROM Programmers

- Device support: EPROMs, EEPROMs, and microcontrollers with adaptors
- ZIF socket: 32 pin / 32 pin (4 gang)
- Host interface: plug-in board

- Includes:**
- 1 Programming Module
 - 1 PC Plug in card
 - 1 40 pin 3 foot long ribbon cable
 - Diskettes and Manual

MOUSER STOCK NO.	Description	Price Each
549-ROMMAX	EPROM programmer	159.00
549-ROMMAX-4G	4 gang EPROM programmer	219.00

MegaMax/MegaMax-4G Universal Programmer

- Device support: semi-universal (no PROM or PAL support)
- Special hardware: FPGA 3030 w/o fan
- ZIF socket: 1-48/32-3 gang
- Module: standard 01/02
- Host interface: parallel port
- IC/Memory tester: none

Includes:

- 1 Programming Module
- 1 AC Power Transformer
- Host interface: plug-in board
- 1 six foot parallel printer cable
- Diskettes and Manual

MOUSER STOCK NO.	Description	Price Each
549-MEGAMAX	Universal programmer	445.00
549-MEGAMAX-4G	4 gang universal prog.	545.00

AllMax Universal Programmers

- Device support: universal, over 1,800 chips
- ZIF socket: 48 pin gold
- Host interface: plug-in board
- Special hardware: D/A converter
- Module: optional module for Special IC
- IC/Memory tester: supported

Includes:

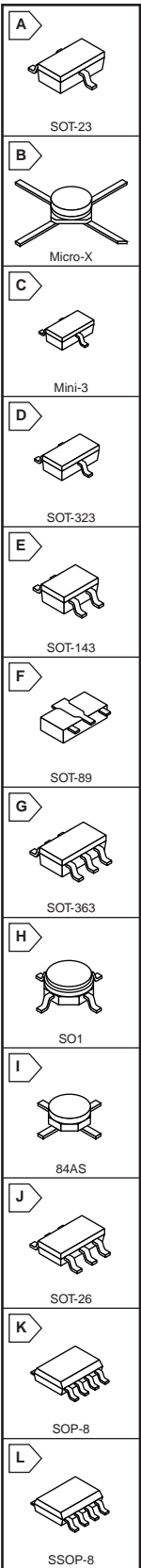
- 1 Programming Module
- 1 40 pin 3 foot long ribbon cable
- 1 PC Plug in card
- Diskettes and Manual

MOUSER STOCK NO.	Description	Price Each
549-ALLMAX	Universal programmer	645.00

NEW THIS ISSUE NEW THIS ISSUE NEW THIS ISSUE NEW THIS ISSUE NEW THIS ISSUE

◆ Surface Mount Device
For quantities greater than listed, call for quote.

SMALL SIGNAL SILICON BIPOLAR TRANSISTORS



MOUSER STOCK NO.	Fig.	Description	Test f (GHz)	NF/GA VCE (V)	NF/GA Ic (mA)	NF TYP (dB)	GA TYP (dB)	Insertion Power Gain			f _T TYP (GHz)	h _{FE} TYP	Ic MAX (mA)	Price Each		
								VCE (V)	Ic (mA)	TYP (dB)				1	100	500
◆ 551-NE02133	A	NPN high freq. transistor	1.0	10	5	1.5	12.0	10	20	11.0	4.5	70	70	1.06	.95	.86
◆ 551-NE02135	B	NPN high freq. transistor	0.5	10	3	1.5	16.0	10	20	18.5	4.5	70	70	5.40	5.03	4.86
◆ 551-NE68019	C	NPN high freq. transistor	2.0	6	5	1.9	9.5	6	10	9.0	10.0	120	35	.40	.35	.32
◆ 551-NE68030	D	NPN high freq. transistor	2.0	6	5	1.7	9.5	6	10	8.5	10.0	100	35	.38	.33	.30
◆ 551-NE68119	A	NPN high freq. transistor	2.0	6	5	1.8	9.0	6	10	8.0	10.0	100	35	.40	.35	.32
◆ 551-NE68130	C	NPN high freq. transistor	1.0	8	7	1.4	14.0	8	20	14.0	7.0	120	65	.40	.35	.32
◆ 551-NE68139	D	NPN high freq. transistor	1.0	8	7	1.5	13.5	8	20	13.0	7.0	120	65	.38	.33	.30
◆ 551-NE68159	E	NPN high freq. transistor	1.0	8	7	1.2	13.5	8	20	15.0	9.0	100	65	.40	.35	.32
◆ 551-NE68519	C	NPN high freq. transistor	2.0	3	3	1.5	7.5	3	10	9.0	12.0	110	30	.44	.39	.36
◆ 551-NE68619	C	NPN high freq. transistor	2.0	1	3	1.5	8.5	1	5	9.0	12.0	100	10	.46	.41	.39
◆ 551-NE68819	C	NPN high freq. transistor	2.0	3	7	1.5	8.0	3	20	8.0	9.5	120	100	.40	.35	.32
◆ 551-NE85619	C	NPN high freq. transistor	1.0	10	7	1.4	12.5	3	7	9.0	4.5	120	100	.35	.30	.27
◆ 551-NE85630	D	NPN high freq. transistor	1.0	10	7	1.3	12.0	10	20	12.0	4.5	110	100	.33	.28	.25
◆ 551-NE85633	A	NPN high freq. transistor	1.0	10	7	1.4	9.0	10	20	11.5	7.0	120	100	.35	.30	.27
◆ 551-NE85634	F	NPN high freq. transistor	1.0	10	7	1.5	11.5	10	20	9.0	6.5	120	100	1.05	.89	.76
◆ 551-NE85635	B	NPN high freq. transistor	2.0	10	7	2.1	10.0	10	20	9.0	7.0	120	100	6.50	5.60	4.90
◆ 551-UPA800T	G	NPN high freq. transistor	1.0	2.5	1.0	1.3	11.0	3	5	7.5	8.5	120	35	.59	.54	.49

MOUSER STOCK NO.	Fig.	Description	Test f (GHz)	P1dB			MAG			f _T TYP (GHz)	h _{FE} TYP	Ic MAX (mA)	Price Each			
				VCE (V)	Ic (mA)	PIN (dBm)	TYP (dBm)	VCE (V)	Ic (mA)				TYP (dB)	1	100	500
◆ 551-NE46134	F	Medium power transistor	1.0	12.5	100	20.5	27.5	10	50	9	5.5	100	250	1.45	1.24	1.03

MOUSER STOCK NO.	Fig.	Description	f (GHz)	VCE (V)	Ic (mA)	TYP (W)	f _T TYP (GHz)	h _{FE} TYP	Ic MAX (mA)	Price Each		
										1	100	500
◆ 551-NE94433	A	Oscillator transistor	2.5	2.5	0.4	0.001	2.0	100	50	.39	.33	.28

MOUSER STOCK NO.	Fig.	Description	CCB VCB (V)	CCB TYP (pF)	f _T TYP (GHz)	Insertion Power Gain			h _{FE} TYP	Ic MAX (mA)	Price Each			
						f (GHz)	VCE (V)	Ic (mA)			TYP (dB)	1	100	500
◆ 551-NE73433	A	Switching transistor	10	1.0	2.0	1.0	10	10	7.0	80	50	1.17	.99	.84
◆ 551-NE73435	B	Switching transistor	10	0.55	3.0	1.0	10	10	9.3	80	50	5.09	4.77	4.61

SMALL SIGNAL GaAs FIELD EFFECT TRANSISTORS

For quantities greater than listed, call for quote.

MOUSER STOCK NO.	Fig.	Description	Gate Length (μm)	Gate Width (μm)	Recommended Frequency Range (GHz)	Test Freq. (GHz)	NF/GA VDS (V)	IDS (mA)	NF OPT (dB)	GA (dB)	Power Bias VDS (V)	IDS (mA)	P1dB (dBm)	Price Each		
														1	100	500
◆ 551-NE25139	E	Dual-gate MESFET	1.0	400	0.1 to 6	0.9	5	10	1.1	20.0	5.0	10	12.0	1.20	1.10	1.00
◆ 551-NE325501	H	Low noise FET	0.2	200	0.1 to 14	12	2.0	10	.45	12.5	3.0	30	12.0	6.00	5.00	4.20
◆ 551-NE33284A	I	Low noise FET	0.3	280	0.1 to 14	12	2.0	10	0.75	10.5	2.0	20	12.0	5.10	4.25	3.55
◆ 551-NE425501	H	Low noise FET	0.2	200	0.1 to 14	12	2.0	10	0.6	12.0	3.0	30	12.0	5.40	4.45	3.75

SILICON MMIC's (Monolithic Microwave Integrated Circuits)

Electrical Characteristics (TA=25°C)

For quantities greater than listed, call for quote.

MOUSER STOCK NO.	Fig.	Description	Freq. Range @ 3dB Down TYP (MHz)	VCC (V)	Icc (mA)			NF (dB)	Gain (dB)			RLIN TYP (dB)	RLOUT TYP (dB)	P1B TYP (dBm)	ISOL TYP (dB)	Price Each		
					MIN	TYP	MAX		MIN	TYP	MAX					1	100	500
					◆ 551-UPC1675G	E	Gen. purpose amp.		1900	5	12					17	22	5.5
◆ 551-UPC1676G	E	Low noise amplifier	1200	5	14	19	24	4.5	19	22	24	12	9	+2.7	28	1.05	.90	.85
◆ 551-UPC1678G	K	Medium power amp.	1900	5	40	49	60	6.0	21	23	25	14	4	+15.9	35	3.35	3.00	2.70
◆ 551-UPC1688G	E	Wide-band amplifier	1100	5	14	19	24	4.0	18	21	23	13	13	+0.1	27	1.05	.90	.85
◆ 551-UPC2708T	J	Wide-band amplifier	2900	5	20	26	33	6.5	13	15	18.5	11	20	+9.2	23	1.55	1.40	1.25
◆ 551-UPC2709T	J	Wide-band amplifier	2300	5	19	25	32	5.0	21	23	26.5	10	10	+8.7	31	1.40	1.30	1.15
◆ 551-UPC2710T	J	Wide-band amplifier	1000	5	16	22	29	3.5	30	33	36.5	6	12	+10.8	39	1.95	1.75	1.55
◆ 551-UPC2711T	J	Wide-band amplifier	2900	5	9	12	15	5.0	11	13	16.5	25	12	-2.6	30	1.40	1.30	1.15
◆ 551-UPC2712T	J	Wide-band amplifier	2600	5	9	12	15	4.5	18	20	23.5	12	13	-0.4	33	1.40	1.30	1.15
◆ 551-UPC2713T	J	Wide-band amplifier	1200	5	9	12	15	3.2	26	29	33	13	9	+0.3	40	1.70	1.50	1.35
◆ 551-UPC2745T	J	Wide-band amplifier	2700	3	5	7.5	10	6.0	9	12	14	11	5.5	-3.0	38	1.40	1.30	1.15
◆ 551-UPC2746T	J	Wide-band amplifier	1500	3	5	7.5	10	4.0	16	19	21	13	8.5	-3.7	45	1.55	1.40	1.25
◆ 551-UPC2747T	J	Wide-band amplifier	1800	3	3.8	5	7	3.3	9	12	14	14	10	-10.9	40	1.30	1.15	1.05
◆ 551-UPC2748T	J	Low noise amplifier	1500	3	4.5	6	8	2.8	16	19	21	11.5	8.5	-8.5	40	1.55	1.40	1.25
◆ 551-UPC2749T	J	Low noise amplifier	2900	3	4	6	8	4	13	16	18.5	10	13	-12.5	30	1.55	1.40	1.25
◆ 551-UPC2762T	J	Medium power amp.	2900	3	---	27	35	6.5	11.5	14.5	17.5	8.5	12	+7	25	1.80	1.65	1.45
◆ 551-UPC2763T	J	Medium power amp.	2400	3	---	27	35	5.5	16.5	20	22.5	12	9	+6.5	29	1.95	1.75	1.55

MOUSER STOCK NO.	Fig.	Description	RF Input Freq. Range @ 3dB Down TYP (MHz)	IF Output Freq. Range @ 3dB Down TYP (MHz)	VCC (V)	ICC TYP (mA)	Conversion Gain TYP (dB)	PSAT TYP (dBm)	Noise Figure TYP (dB)	Test Cond. (MHz)		Price Each		
										RF	IF	1	100	500
◆ 551-UPC2757T	J	Freq. down converter	100-2000	20-300	3.0	5.6	13	-8	13	2000	250	2.05	1.85	1.65
◆ 551-UPC2758T	J	Freq. down converter	100-2000	20-300	3.0	11	17	-4	13	2000	250	2.30	2.05	1.85

MOUSER STOCK NO.	Fig.	Description	fIN (GHz)		PIN (dBm)		POUT TYP (dBm)	VCC (V)	ICC (mA)		Divide Ratio	Price Each		
			MIN	MAX	MIN	MAX			MIN	MAX		1	100	500
◆ 551-UPB584G	K	Prescaler	0.5	2.5	-10	+5	-7.5	5.0	12	24	2	4.00	3.40	2.90
◆ 551-UPB587G	K	Prescaler	0.05	1.0	-18	0	-12.5	2.2 to 3.5	---	7.5	2 / 4 / 8	4.50	3.90	3.40

MOUSER STOCK NO.	Fig.	Description	Frequency Range (GHz)	Insertion Loss TYP (dB)	Isolation		RLIN MIN (dB)	RLOUT MIN (dB)	P1dB (dBm)	Switching Speed (ns)	VCONT Control Volt. (V)	Price Each		
					@ 1.0GHz (dB)	@ 2.0GHz (dB)						1	100	500
◆ 551-UPG132G	L	L-Band SPDT Switch	0.1 - 2.5	0.6	22	22	11	11	+30	30	+3/0, +5/0	1.80	1.65	1.50

GaAs MMIC's (Monolithic Microwave Integrated Circuits) Electrical Characteristics (TA=25°C)

MOUSER STOCK NO.	Fig.	Description	Frequency Range (GHz)	Insertion Loss TYP (dB)	Isolation		RLIN MIN (dB)	RLOUT MIN (dB)	P1dB (dBm)	Switching Speed (ns)	VCONT Control Volt. (V)	Price Each		
					@ 1.0GHz (dB)	@ 2.0GHz (dB)						1	100	500
◆ 551-UPG152TA	G	L-Band SPDT Switch	0.1 - 2.5	0.5	22	20	11	11	+30	30	+3/0, +5/0	1.95	1.75	1.55

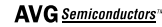
NEW THIS ISSUE NEW THIS ISSUE NEW THIS ISSUE NEW THIS ISSUE NEW THIS ISSUE

Manufacturer	Prefix
AVG Semiconductor	605
Harris Semiconductor	570

TTL and CMOS IC's

7400 / 74AC / 74ACT / 74C / 74FCT / 54HC / 74HC Series

Manufacturer	Prefix
NTE	526
SGS Thomson	511



◆ Surface Mount Device

For quantities greater than listed call for quote

For quantities greater than listed call for quote

For quantities greater than listed call for quote

MOUSER NO.		Description	Price Each
Mfr.	Industry No.		1-99
7400 Series TTL			
526	NTE7400	Quad 2-input NAND Gate	0.73
526	NTE7401	Quad 2-input NAND Gate	0.73
526	NTE7402	Quad 2-input NOR Gate	1.00
526	NTE7403	Quad 2-input NAND Gate	0.69
526	NTE7404	Hex Inverter / Buffer	0.90
526	NTE7405	Hex Inverter	0.84
526	NTE7406	Hex Inverter / Buffer	1.57
526	NTE7407	Hex Buffer / Driver	1.57
526	NTE7408	Quad 2-input AND Gate	1.13
526	NTE7409	Quad 2-input AND Gate	0.73
526	NTE7410	Triple 3-input NAND Gate	0.81
526	NTE7411	Triple 3-input AND Gate	0.92
526	NTE7412	Triple 3-input NAND Gate	0.89
526	NTE7413	Dual 4-input Schmitt Trigger	1.50
526	NTE7414	Hex Schmitt Inverter	3.69
526	NTE7416	Hex Inverter / Buffer	1.45
526	NTE7417	Hex Buffer / Driver	1.34
526	NTE7420	Dual 4-input NAND Gate	0.77
526	NTE7421	Dual 4-input AND Gate	2.23
526	NTE7422	Dual 4-input NAND Gate	1.65
526	NTE7423	Dual 4-input NOR Gate	0.95
526	NTE7425	Dual 4-input NOR Gate	0.95
526	NTE7426	Quad 2-input NAND Gate	1.03
526	NTE7427	Triple 3-input NOR Gate	0.90
526	NTE7428	Quad 2-input NOR Buffer	0.93
526	NTE7430	8-input NAND Gate	0.76
526	NTE7432	Quad 2-input OR Gate	1.00
526	NTE7433	Quad 2-input NOR Gate	1.00
526	NTE7437	Quad 2-input NAND Buffer	1.16
526	NTE7438	Quad 2-input NAND Buffer	1.59
526	NTE7439	Quad 2-input NAND Buffer	1.74
526	NTE7440	Dual 4-input NAND Buffer	0.64
526	NTE7441	Decoder Driver	3.96
526	NTE7442	BCD to Decimal Decoder	1.82
526	NTE7443	4 to 10 Dec Line Decoder	3.26
526	NTE7444	4 to 10 Dec Line Decoder	3.26
526	NTE7445	BCD to Decimal Decoder	3.11
526	NTE7446	BCD to 7-SEG Driver	2.53
526	NTE7447	BCD to 7-SEG Driver	2.59
526	NTE7450	Dual 2-input AND/OR Gate	0.63
526	NTE7451	Dual AND/OR Invert Gate	0.80
526	NTE7453	Exp 4WD AND/OR Inverter	0.63
526	NTE7454	2-3-3-2 AND/OR Input Gate	0.95
526	NTE7460	Dual 4-input Expander	2.10
526	NTE7470	AND Gated J-K F/F	1.01
526	NTE7472	AND Gated J-K F/F	2.75
526	NTE7473	Dual J-K F/F with Clear	2.00
526	NTE7474	Dual D-type F/F	1.09
526	NTE7475	4-bit D-type Latch	1.95
526	NTE7476	Dual J-K Flip-Flop	1.82
526	NTE7480	Gated Full Adder	1.58
526	NTE7482	2-bit Bin Full Adder	2.70
526	NTE7483	4-bit Bin Full Adder	2.76
526	NTE7485	4-bit Magnitude Comp	4.19
526	NTE7486	Quad Exclusive OR Gate	0.95
526	NTE7489	64-bit Read/Wrt Mem	11.64
526	NTE7490	Decade Counter	1.53
526	NTE7491	8-bit Shift Register	2.35
526	NTE7492	Div by 12 Counter	1.43
526	NTE7493A	4-bit Bin Ripple Counter	1.81
526	NTE7495	4-bit Shift Register	1.69
526	NTE7496	5-bit Shift Register	2.15
526	NTE7497	Sync 6-bit Bin Multi	7.71
526	NTE74109	Dual J-K Flip-Flop	1.78
526	NTE74121	Monostable Multivibrator	2.44
526	NTE74123	Dual Mono Multivibrator	2.41
526	NTE74145	BCD to Dec Dec/Driver	3.05
526	NTE74150	1 to 16 Data Sel/Multi	4.60
526	NTE74154	4 to 16 Ln Dec/Multiplexer	4.74
526	NTE74155	Dual 1 of 4 Decoder	2.27
526	NTE74160	Sync 4-bit Counter	3.20
526	NTE74173	4-bit D-type F/F	1.92
526	NTE74179	4-bit Univ Shift Register	4.68
526	NTE74195	4-bit PISO Shift Register	1.99
74AC Series Advance CMOS			
◆ 605	74AC00D	Quad 2-input NAND gate	0.60
◆ 605	74AC02D	Quad 2-input NOR gate	0.60
570	74AC04E	Hex inverter/buffer	0.55
◆ 605	74AC04D	Hex inverter/buffer	0.60
◆ 605	74AC08D	Quad 2-input AND gate	0.60
570	74AC14E	Hex inverting schmitt trigger	0.64
◆ 605	74AC14D	Hex inverting schmitt trigger	0.60
570	74AC32E	Quad 2-input OR gate	0.55
◆ 605	74AC32D	Quad 2-input OR gate	0.60
570	74AC74E	Dual D-type F/F w/set-reset	0.62
◆ 605	74AC74D	Dual D-type F/F w/set-reset	0.63

MOUSER NO.		Description	Price Each
Mfr.	Industry No.		1-99
744C Series Advance CMOS (cont.)			
570	74AC86E	Quad 2-input excl OR gate	0.89
◆ 605	74AC86D	Quad 2-input excl OR gate	0.60
570	74AC138E	3-to-8 line decodr/demultiplex	1.00
◆ 605	74AC138D	3-to-8 line decodr/demultiplex	0.63
570	74AC139E	Dual 2-of-4 line decdr/demitt	1.00
◆ 605	74AC139D	Dual 2-of-4 line decdr/demitt	0.63
570	74AC151E	8-input multiplexer	1.00
570	74AC163E	Presett sync 4-bit bin cntr	1.48
570	74AC244E	Octal buffer/line driver; 3-st	1.47
◆ 605	74AC244D	Octal buffer/line driver; 3-st	1.25
570	74AC245E	Octal bus transceiver; 3-st	1.61
570	74AC273E	Octal D-type flip-flop w/reset	1.46
570	74AC373E	Octal transparent latch; 3-st	1.52
570	74AC514E	Octal buffer/line driver; 3-st	1.54
570	74AC574E	Octal D-type flip-flop	1.55
74ACT Series Advance CMOS			
◆ 605	74ACT00D	Quad 2-input NAND Gate	.60
◆ 605	74ACT02D	Quad 2-input NOR Gate	.60
◆ 605	74ACT04D	Hex Inverter / Buffer	.60
◆ 605	74ACT08D	Quad 2-input AND Gate	.60
◆ 605	74ACT32D	Quad 2-input OR Gate	.60
◆ 605	74ACT125D	Octal Bus Buffer, 3-st	.60
570	74ACT138E	3-to-8 line decodr/demultiplex	1.00
◆ 605	74ACT138D	3-to-8 line decodr/demultiplex	.63
◆ 605	74ACT139D	Dual 2 of 4 line decoder	.63
570	74ACT153E	Dual 4-input multiplexer	1.00
570	74ACT158E	Quad 2-input multiplexer	1.00
◆ 605	74ACT161D	4-bit Async Binary Counter	.74
570	74ACT174E	Hex D-type F/F with reset	1.00
570	74ACT240E	Octal buffer/line driver; 3-st	1.46
◆ 605	74ACT240D	Octal buffer/line driver; 3-st	1.25
570	74ACT244E	Octal buffer/line driver; 3-st	1.46
◆ 605	74ACT244D	Octal buffer/line driver; 3-st	1.25
570	74ACT245E	Octal bus transceiver	1.61
◆ 605	74ACT245D	Octal bus transceiver	1.25
570	74ACT257E	Quad 2-input multiplexer	1.00
◆ 605	74ACT257D	Quad 2-input multiplexer	.77
◆ 605	74ACT258D	Quad 2-channel multiplexer	.77
570	74ACT273E	Octal D-type F/F with reset	1.46
570	74ACT280E	9-bit odd/even parity gen	1.04
◆ 605	74ACT373D	Octal D-type latch	1.17
570	74ACT374E	Octal D-type flip-flop	1.52
◆ 605	74ACT374D	Octal D-type flip-flop	1.25
570	74ACT541E	Octal buffer/line driver; 3-st	1.54
570	74ACT574E	Octal D-type flip-flop	1.55
74C Series			
526	NTE74C00	Quad 2-input NAND Gate	1.96
526	NTE74C02	Quad 2-input NOR Gate	0.88
526	NTE74C04	Hex Inverter / Buffer	1.00
526	NTE74C08	Quad 2-input AND Gate	1.96
526	NTE74C10	Triple 3-input NAND Gate	1.96
526	NTE74C14	Hex Schmitt Inverter	2.11
526	NTE74C20	Dual 4-input NAND Gate	1.26
526	NTE74C30	8-input NAND Gate	0.97
526	NTE74C32	Quad 2-input OR Gate	0.88
526	NTE74C41	BCD to Decimal Decoder	3.58
526	NTE74C48	BCD-to-7 SEG Decoder	4.60
526	NTE74C73	Dual J-K F/F with Clear	3.54
526	NTE74C74	Dual D-type F/F	2.80
526	NTE74C76	Dual J-K Flip-Flop	3.93
526	NTE74C85	4-bit Magnitude Comp	4.90
526	NTE74C90	Decade Counter	4.26
526	NTE74C93	4-bit Bin Ripple Counter	5.29
526	NTE74C95	4-bit Bin Shift Register	5.04
526	NTE74C107	Dual J-K Flip-Flop	4.34
526	NTE74C151	8 to 1 Line Multiplexer	6.10
526	NTE74C154	4 to 16 Ln Decodr/Multiplex	9.60
526	NTE74C157	Quad 2 to 1 Ln Multiplexer	5.76
526	NTE74C160	4-bit Async Dec Counter	2.30
526	NTE74C161	4-bit Async Bin Counter	3.13
526	NTE74C164	8-bit SIPO Shift Register	4.64
526	NTE74C173	Quad D-type Reg 3-Stage	2.38
526	NTE74C174	Hex D F/F with Clear	3.04
526	NTE74C175	Quad D F/F with Clear	3.10
526	NTE74C192	Sync Up/Down Dec Counter	4.95
526	NTE74C193	Sync Up/Down Bin Counter	4.88
526	NTE74C221	Dual Monostable Multivibr	8.18
526	NTE74C240	Octal Bus Buffer 3-Stage	8.23
526	NTE74C244	Octal Bus Buffer 3-Stage	6.59
526	NTE74C373	Octal D-type Latch	3.20
526	NTE74C374	Octal D-type F/F	6.76
526	NTE74C901	Hex Inverting Buffer	3.74
526	NTE74C902	Hex Non-Inverting Buffer	3.69
526	NTE74C903	Hex Inverting Buffer	1.36
526	NTE74C904	Hex Non-Inverting Buffer	2.54

MOUSER NO.		Description	Price Each
Mfr.	Industry No.		1-99
74C Series (cont.)			
526	NTE74C922	16-key Encoder 3-Stage	12.45
526	NTE74C923	20-key Encoder 3-Stage	11.29
526	NTE74C925	4-dig Counter w/ 7 Seg Drv	14.00
74FCT Series BICMOS			
570	74FCT533E	Octal D-type Latch	2.98
570	74FCT563E	Octal D-type Latch	2.98
570	74FCT564E	Octal D-type F/F Inverter	2.98
570	74FCT574E	Octal D-type F/F	2.98
570	74FCT623E	Octal Bus Transceiver	6.04
54HC / 74HC Series High Speed CMOS			
570	CD54HC08F	Quad 2-input AND Gate	1.25
570	CD54HC20F	Dual 4-input NAND Gate	1.39
570	CD54HC27F	Triple 3-input NOR Gate	1.39
570	CD54HC30F	8-input NAND Gate	1.71
570	CD54HC139F	Dual 2 to 4 Line Decoder	2.75
570	CD54HC158F	Quad 2 to 1 Line Multiplex	1.54
570	CD54HC161F	4-bit Async Bin Counter	2.77
570	CD54HC162F	4-bit Sync Dec Counter	2.55
570	CD54HC175F	Quad D F/F with Clear	2.59
570	CD54HC190F	BCD Sync Up/Down Count	2.93
570	CD54HC194F	4-bit PISO Shift Reg	2.00
570	CD54HC195F	4-bit PISO Shift Reg	2.55
570	CD54HC238F	3 to 8 Line Decoder	2.84
570	CD54HC240F	Octal Bus Buffer 3-Stage	4.71
570	CD54HC241F	Octal Bus Buffer 3-Stage	5.78
570	CD54HC242F	Quad Bus Transceiver	3.36
570	CD54HC243F	Quad Bus Transceiver	4.21
570	CD54HC244F	Octal Bus Buffer 3-Stage	4.66
570	CD54HC251F	3-Chan Multiplex 3-Stage	1.73
570	CD54HC253F	Dual 4-Chan Multiplexer	1.77
570	CD54HC365F	Hex Bus Buffer Non-Invert	2.37
570	CD54HC366F	Hex Bus Buffer Inverter	1.98
570	CD54HC367F	Hex Bus Buffer Non-Invert	2.31
570	CD54HC374F	Octal D-type F/F	6.30
570	CD54HC377F	Octal D-type F/F	7.16
570	CD54HC393F	Dual Binary Counter	2.64
570	CD54HC533F	Octal D-type Latch	4.39
570	CD54HC534F	Octal D-type F/F Inverter	9.14
570	CD54HC540F	Octal Bus Buffer Inverter	5.31
570	CD54HC564F	Octal D-type F/F Inverter	6.94
570	CD54HC573F	Octal D-type Latch	6.30
570	CD54HC643F	Octal Bus Transceiver	5.69
570	CD54HC646F	Octal Bus Transceiver Rg	10.35
570	CD54HC670F	4 Word x 4 Bit Reg File	6.16
570	CD54HC4020F	14-Stage Binary Counter	4.11
570	CD54HC4514F	4 to 16 Line Decdr/Demul	9.52
511	M74HC00	Quad 2-input NAND Gate	0.39
◆ 511	M74HC00M	Quad 2-input NAND Gate	0.39
◆ 570	CD74HC00E	Quad 2-input NAND Gate	0.37
◆ 570	CD74HC00M	Quad 2-input NAND Gate	0.38
◆ 511	M74HC02	Quad 2-input NOR Gate	0.39
◆ 511	M74HC02M	Quad 2-input NOR Gate	0.39
◆ 570	CD74HC02E	Quad 2-input NOR Gate	0.37
◆ 570	CD74HC02M	Quad 2-input NOR Gate	0.38
◆ 511	M74HC03	Quad 2-input NAND Gate	0.39
◆ 511	M74HC03M	Quad 2-input NAND Gate	0.39
◆ 511	M74HC04	Hex Inverter/Buffer	0.39
◆ 511	M74HC04M	Hex Inverter/Buffer	0.39
◆ 570	CD74HC04E	Hex Inverter/Buffer	0.37
◆ 570	CD74HC04M	Hex Inverter/Buffer	0.38
◆ 511	M74HC05	Hex Inverter	0.39
◆ 511	M74HC08	Quad 2-input AND Gate	0.39
◆ 511	M74HC08M	Quad 2-input AND Gate	0.39
◆ 570	CD74HC08E	Quad 2-input AND Gate	0.37
◆ 570	CD74HC08M	Quad 2-input AND Gate	0.38
◆ 511	M74HC10	Triple 3-input NAND Gate	0.39
◆ 570	CD74HC10E	Triple 3-input NAND Gate	0.37
◆ 511	M74HC11	Triple 3-input AND Gate	0.39
◆ 511	M74HC11M	Triple 3-input AND Gate	0.39
◆ 570	CD74HC11E	Triple 3-input AND Gate	0.37
◆ 511	M74HC14	Hex Schmitt Inverter	0.46
◆ 511	M74HC14M	Hex Schmitt Inverter	0.46
◆ 570	CD74HC14E	Hex Schmitt Inverter	0.40
◆ 570	CD74HC14M	Hex Schmitt Inverter	0.42
◆ 511	M74HC20	Dual 4-input NAND Gate	0.39
◆ 511	M74HC20M	Dual 4-input NAND Gate	0.39
◆ 511	M74HC21M	Dual 4-input AND Gate	0.39
◆ 570	CD74HC21E	Dual 4-input AND Gate	0.37
◆ 511	M74HC27	Triple 3-input NOR Gate	0.39
◆ 511	M74HC27M	Triple 3-input NOR Gate	0.39
◆ 570			

Manufacturer	Prefix
Harris Semiconductor	570

TTL and CMOS IC's

74HC Series

Manufacturer	Prefix
SGS Thomson	511



For quantities greater than listed call for quote

For quantities greater than listed call for quote



◆ Surface Mount Device

For quantities greater than listed call for quote

MOUSER NO.		Description	Price Each
Mfr.	Industry No.		
74HC Series (cont.)			
570	CD74HC30E	8-input NAND Gate	0.37
511	M74HC32	Quad 2-input OR Gate	0.39
511	M74HC32M	Quad 2-input OR Gate	0.39
570	CD74HC32E	Quad 2-input OR Gate	0.37
570	CD74HC32M	Quad 2-input OR Gate	0.39
511	M74HC42	BCD to DEC Decoder	0.60
511	M74HC42M	BCD to DEC Decoder	0.60
511	M74HC51	Dual AND/OR Inv Gate	0.39
511	M74HC73	Dual J-K F/F with Clear	0.46
511	M74HC73M	Dual J-K F/F with Clear	0.46
570	CD74HC73E	Dual J-K F/F with Clear	0.42
511	M74HC74	Dual D-type F/F	0.46
570	CD74HC74E	Dual D-type F/F	0.40
570	CD74HC74M	Dual D-type F/F	0.46
511	M74HC75	4-bit D-type Latch	0.46
511	M74HC76	Dual J-K Flip-Flop	0.46
511	M74HC77	Quad D-type Latch	0.46
511	M74HC85	4-bit Magnitude Comparator	0.60
511	M74HC85M	4-bit Magnitude Comparator	0.60
570	CD74HC85E	4-bit Magnitude Comparator	0.61
511	M74HC86	Quad Exclusive OR Gate	0.46
511	M74HC86M	Quad Exclusive OR Gate	0.46
570	CD74HC86E	Quad Exclusive OR Gate	0.44
570	CD74HC86M	Quad Exclusive OR Gate	0.51
570	CD74HC93E	4-bit Binary Counter	0.62
570	CD74HC93M	4-bit Binary Counter	0.64
511	M74HC107	Dual J-K Flip-Flop	0.46
511	M74HC107M	Dual J-K Flip-Flop	0.46
511	M74HC109	Dual J-K FF w/Ps & Clr	0.46
511	M74HC109M	Dual J-K FF w/Ps & Clr	0.46
511	M74HC112	Dual J-K FF w/Ps & Clr	0.46
511	M74HC123	Dual Monostable Multivibratr	0.64
511	M74HC123M	Dual Monostable Multivibratr	0.69
570	CD74HC123E	Dual Monostable Multivibratr	0.66
511	M74HC125	Quad Bus Buffer 3 State	0.46
511	M74HC125M	Quad Bus Buffer 3 State	0.46
570	CD74HC125E	Quad Bus Buffer 3 State	0.53
511	M74HC126	Quad Bus Buffer 3 State	0.46
511	M74HC126M	Quad Bus Buffer 3 State	0.46
570	CD74HC126E	Quad Bus Buffer 3 State	0.61
511	M74HC132	Quad 2-input Schmitt NAND	0.46
511	M74HC132M	Quad 2-input Schmitt NAND	0.46
570	CD74HC132E	Quad 2-input Schmitt NAND	0.61
511	M74HC133	13-input NAND Gate	0.39
511	M74HC133M	13-input NAND Gate	0.39
511	M74HC137	3 to 8 Line Decoder Latch	0.58
511	M74HC137M	3 to 8 Line Decoder Latch	0.58
570	CD74HC137E	3 to 8 Line Decoder Latch	0.68
511	M74HC138	3 to 8 Line Decoder	0.55
511	M74HC138M	3 to 8 Line Decoder	0.55
570	CD74HC138E	3 to 8 Line Decoder	0.49
570	CD74HC138M	3 to 8 Line Decoder	0.61
511	M74HC139	Dual 2 to 4 Line Decoder	0.51
511	M74HC139M	Dual 2 to 4 Line Decoder	0.51
570	CD74HC139E	Dual 2 to 4 Line Decoder	0.49
570	CD74HC139M	Dual 2 to 4 Line Decoder	0.57
511	M74HC147	10 to 4 Line Pri Encoder	0.55
511	M74HC147M	10 to 4 Line Pri Encoder	0.55
570	CD74HC147E	10 to 4 Line Pri Encoder	0.62
511	M74HC148	8 to 3 Line Pri Encoder	0.60
511	M74HC148M	8 to 3 Line Pri Encoder	0.60
511	M74HC151	8 to 1 Line Multiplexer	0.51
511	M74HC151M	8 to 1 Line Multiplexer	0.51
570	CD74HC151E	8 to 1 Line Multiplexer	0.55
511	M74HC153	Dual 4 to 1 Line Multiplexer	0.55
511	M74HC153M	Dual 4 to 1 Line Multiplexer	0.55
511	M74HC154	4 to 16 Line Decoder/Multi	2.53
511	M74HC154M	4 to 16 Line Decoder/Multi	3.06
511	M74HC155	Dual 2 to 4 Line Decoder	0.55
511	M74HC155M	Dual 2 to 4 Line Decoder	0.55
511	M74HC157	Quad 2 to 1 Line Multiplexr	0.51
511	M74HC157M	Quad 2 to 1 Line Multiplexr	0.51
570	CD74HC157E	Quad 2 to 1 Line Multiplexr	0.51
511	M74HC158	Quad 2 to 1 Line Multiplexr	0.51
570	CD74HC158E	Quad 2 to 1 Line Multiplexr	0.53
511	M74HC160	4-bit Async Dec Counter	0.60
570	CD74HC160E	4-bit Async Dec Counter	0.64
511	M74HC161	4-bit Async Bin Counter	0.60
511	M74HC161M	4-bit Async Bin Counter	0.60
511	M74HC162	4-bit Sync Dec Counter	0.60
570	CD74HC162E	4-bit Sync Dec Counter	0.79
511	M74HC163	4-bit Sync Bin Counter	0.60
511	M74HC163M	4-bit Sync Bin Counter	0.60
511	M74HC164	8-bit SIPO Shift Register	0.58
570	CD74HC164E	8-bit SIPO Shift Register	0.55
570	CD74HC164M	8-bit SIPO Shift Register	0.61
511	M74HC165	8-bit PISO Shift Register	0.58

MOUSER NO.		Description	Price Each
Mfr.	Industry No.		
74HC Series (cont.)			
511	M74HC165M	8-bit PISO Shift Register	0.58
570	CD74HC165E	8-bit PISO Shift Register	0.55
511	M74HC166	8-bit PISO Shift Register	0.60
511	M74HC166M	8-bit PISO Shift Register	0.60
570	CD74HC166E	8-bit PISO Shift Register	0.68
511	M74HC173	Quad D-type Reg 3-Stage	0.60
511	M74HC173M	Quad D-type Reg 3-Stage	0.60
511	M74HC174	Hex "D" F/F with Clear	0.60
511	M74HC174M	Hex "D" F/F with Clear	0.60
511	M74HC175	Quad "D" F/F with Clear	0.60
511	M74HC175M	Quad "D" F/F with Clear	0.60
570	CD74HC181E	4-bit Arithmetic Logic Unit	3.12
511	M74HC182	Lookahead Carry Gen	0.60
511	M74HC190	BCD Sync Up/Down Countr	0.83
511	M74HC190M	BCD Sync Up/Down Countr	0.83
570	CD74HC190E	BCD Sync Up/Down Countr	0.62
511	M74HC191	4-bit Sync Bin Up/Down	0.83
511	M74HC191M	4-bit Sync Bin Up/Down	0.83
570	CD74HC191E	4-bit Sync Bin Up/Down	0.61
511	M74HC192	Sync Up/Down Dec Counter	0.71
511	M74HC193	Sync Up/Down Bin Counter	0.71
511	M74HC193M	Sync Up/Down Bin Counter	0.71
570	CD74HC193E	Sync Up/Down Bin Counter	0.61
570	CD74HC193M	Sync Up/Down Bin Counter	0.73
511	M74HC194	4-bit PIPO Shift Register	0.67
511	M74HC195	4-bit PIPO Shift Register	0.67
511	M74HC221	Dual Monostable Multivibrtr	0.60
511	M74HC221M	Dual Monostable Multivibrtr	0.60
570	CD74HC221E	Dual Monostable Multivibrtr	0.77
511	M74HC237	3 to 8 Line Decoder	0.60
511	M74HC238	3 to 8 Line Decoder	0.58
511	M74HC238M	3 to 8 Line Decoder	0.58
511	M74HC240	Octal Bus Buffer 3-Stage	0.71
511	M74HC240M	Octal Bus Buffer 3-Stage	0.71
511	M74HC241	Octal Bus Buffer 3-Stage	0.71
511	M74HC243	Quad Bus Transceiver	0.64
511	M74HC244	Octal Bus Buffer 3-Stage	0.71
511	M74HC244M	Octal Bus Buffer 3-Stage	0.71
570	CD74HC244E	Octal Bus Buffer 3-Stage	0.70
511	M74HC245	Octal Bus Transceiver	0.92
511	M74HC245M	Octal Bus Transceiver	0.92
570	CD74HC245E	Octal Bus Transceiver	0.71
570	CD74HC245M	Octal Bus Transceiver	0.75
511	M74HC251	8-Chan Multiplexer 3-Stage	0.55
511	M74HC251M	8-Chan Multiplexer 3-Stage	0.55
511	M74HC253	Dual 4-Chan Multiplexer	0.55
511	M74HC253M	Dual 4-Chan Multiplexer	0.55
511	M74HC257	Quad 2-Chan Multiplexer	0.55
511	M74HC257M	Quad 2-Chan Multiplexer	0.55
511	M74HC258	8-bit Addressable Latch	0.64
511	M74HC259	8-bit Addressable Latch	0.64
511	M74HC259M	8-bit Addressable Latch	0.62
511	M74HC273	Octal D FF with Clear	0.71
511	M74HC273M	Octal D FF with Clear	0.71
570	CD74HC273E	Octal D FF with Clear	0.64
570	CD74HC273M	Octal D FF with Clear	0.73
511	M74HC279	Quad Set/Res Latch	0.58
511	M74HC280	9-bit Parity Generator	0.66
511	M74HC280E	9-bit Parity Generator	0.60
511	M74HC283	4-bit Bin Full Adder	0.64
511	M74HC283M	4-bit Bin Full Adder	0.64
570	CD74HC283E	4-bit Bin Full Adder	0.75
511	M74HC298	Quad 2-Ch Multipx Reg	0.55
511	M74HC299	8-bit FIFO Shift Register	1.10
511	M74HC299M	8-bit FIFO Shift Register	1.10
570	CD74HC299E	8-bit FIFO Shift Register	0.98
511	M74HC323	8-bit PIPO Shift Register	1.15
511	M74HC353	Dual 4-Input Multiplexer	0.58
511	M74HC356	8-Ch Multiplexer/Reg 3-Stg	0.71
511	M74HC365	Hex Bus Buffer Non-Inverttr	0.51
511	M74HC365M	Hex Bus Buffer Non-Inverttr	0.51
570	CD74HC365E	Hex Bus Buffer Non-Inverttr	0.71
511	M74HC366	Hex Bus Buffer Inverter	0.51
570	CD74HC366E	Hex Bus Buffer Inverter	0.73
511	M74HC367	Hex Bus Buffer Non-Inverttr	0.51
511	M74HC367M	Hex Bus Buffer Non-Inverttr	0.51
511	M74HC368	Hex Bus Buffer Inverter	0.51
511	M74HC368M	Hex Bus Buffer Inverter	0.51
511	M74HC373	Octal D-type Latch	0.71
511	M74HC373M	Octal D-type Latch	0.71
570	CD74HC373E	Octal D-type Latch	0.73
570	CD74HC373M	Octal D-type Latch	0.80
511	M74HC374	Octal D-type F/F	0.71
511	M74HC374M	Octal D-type F/F	0.71
570	CD74HC374E	Octal D-type F/F	0.68
570	CD74HC374M	Octal D-type F/F	0.80

MOUSER NO.		Description	Price Each
Mfr.	Industry No.		
74HC Series (cont.)			
511	M74HC377	Octal D-type F/F	0.67
511	M74HC377M	Octal D-type F/F	0.67
570	CD74HC377E	Octal D-type F/F	0.79
511	M74HC386	Quad Exclusive OR Gate	0.46
511	M74HC390	Dual Decade Counter	0.67
511	M74HC390M	Dual Decade Counter	0.67
570	CD74HC390E	Dual Decade Counter	0.68
511	M74HC393	Dual Binary Counter	0.67
511	M74HC393M	Dual Binary Counter	0.67
570	CD74HC393E	Dual Binary Counter	0.62
570	CD74HC393M	Dual Binary Counter	0.73
511	M74HC423	Dual Monostable with Clear	0.60
570	CD74HC423E	Dual Monostable with Clear	0.62
511	M74HC533	Octal D-type Latch	0.71
511	M74HC534	Octal D-type F/F Inverter	0.71
570	CD74HC534E	Octal D-type F/F Inverter	0.89
511	M74HC540	Octal Bus Buffer Inverter	0.81
570	CD74HC540E	Octal Bus Buffer Inverter	0.79
511	M74HC541	Octal Bus Buffer	0.81
511	M74HC541M	Octal Bus Buffer	0.81
570	CD74HC541E	Octal Bus Buffer	0.82
570	CD74HC541M	Octal Bus Buffer	0.82
511	M74HC563	Octal D-type Latch	0.84
570	CD74HC563E	Octal D-type Latch	0.80
511	M74HC564	Octal D-type F/F Inverter	0.81
570	CD74HC564E	Octal D-type F/F Inverter	0.95
511	M74HC573	Octal D-type Latch	0.81
570	CD74HC573E	Octal D-type Latch	0.77
570	CD74HC573M	Octal D-type Latch	0.93
511	M74HC574	Octal D-type F/F	0.81
511	M74HC574M	Octal D-type F/F	0.81
570	CD74HC574E	Octal D-type F/F	0.84
511	M74HC590	8-bit Bin Counter Reg	0.99
511	M74HC590M	8-bit Bin Counter Reg	0.99
511	M74HC595	8-bit Shift Reg Latch	0.94
511	M74HC595M	8-bit Shift Reg Latch	0.94
570	CD74HC597E	8-bit Shift Reg Latch	0.94
570	CD74HC597M	8-bit Shift Reg Latch	0.94
570	CD74HC597E	8-bit Shift Reg Latch	0.70
511	M74HC620	Octal Bus Transceiver	0.97
511	M74HC623	Octal Bus Transceiver	0.97
511	M74HC640	Octal Bus Transceiver	1.01
511	M74HC643	Octal Bus Transceiver	1.01
511	M74HC670	4 Word x 4 Bit Reg File	0.97
511	M74HC688	8-bit Equality Comparator	0.94
511	M74HC688M	8-bit Equality Comparator	0.94
570	CD74HC688E	8-bit Equality Comparator	0.82
570	CD74HC688M	8-bit Equality Comparator	0.98
511	M74HC690	Decade Counter	1.29
511	M74HC692	Decade Counter 3-Stage	1.29
511	M74HC693	4-bit Binary Cntr 3-Stage	1.29

Manufacturer	Prefix
AVG Semiconductor	605
Harris Semiconductor	570

TTL and CMOS IC's

74HC / 74HCT / 74ALS / 74LS Series

Manufacturer	Prefix
NTE	526
SGS Thomson	511



◆ Surface Mount Device

For quantities greater than listed call for quote

For quantities greater than listed call for quote

For quantities greater than listed call for quote

MOUSER NO.		Description	Price Each
Mfr.	Industry No.		
74HC Series (cont.)			
511 -	M74HC4052	Dual 4-Channel Ana Mult	0.97
◆ 511 -	M74HC4052M	Dual 4-Channel Ana Mult	0.97
570 -	CD74HC4052E	Dual 4-Channel Ana Mult	0.77
511 -	M74HC4053	Triple 2-Ch Ana Mult/Deml	0.97
◆ 511 -	M74HC4053M	Triple 2-Ch Ana Mult/Deml	0.97
570 -	CD74HC4053E	Triple 2-Ch Ana Mult/Deml	0.75
570 -	CD74HC4059E	Prog divide by "N" Counter	2.09
511 -	M74HC4060	14-Stage Bin Counter/Osc	0.74
◆ 511 -	M74HC4060M	14-Stage Bin Counter/Osc	0.74
570 -	CD74HC4060E	14-Stage Bin Counter/Osc	0.74
511 -	M74HC4066	Quad Bilateral Switch	0.51
◆ 511 -	M74HC4066M	Quad Bilateral Switch	0.51
570 -	CD74HC4066E	Quad Bilateral Switch	0.61
511 -	M74HC4072	Dual 4-input OR Gate	0.39
511 -	M74HC4075	Triple 3-input OR Gate	0.39
◆ 511 -	M74HC4075M	Triple 3-input OR Gate	0.39
511 -	M74HC4078	8-input NOR Gate	0.39
511 -	M74HC4094	8-bit SIPO Shift 3-Stage	0.81
◆ 511 -	M74HC4094M	8-bit SIPO Shift 3-Stage	0.81
570 -	CD74HC4094E	8-bit SIPO Shift 3-Stage	0.70
511 -	M74HC4316	Quad Analog Switch	0.55
◆ 511 -	M74HC4316M	Quad Analog Switch	0.55
570 -	CD74HC4316E	Quad Analog Switch	0.71
570 -	CD74HC4351E	Single 8-Ch Ana Mult/Demul	0.94
570 -	CD74HC4352E	Dual 4-Ch Ana Multiplexer	0.93
511 -	M74HC4511	BCD-to-7 SEG Latch/Dec	0.74
570 -	CD74HC4511E	BCD-to-7 SEG Latch/Dec	0.71
511 -	M74HC4514	4 to 16 Line Decodri/Demul	2.53
570 -	CD74HC4514E	4 to 16 Line Decodri/Demul	1.98
511 -	M74HC4515	4 to 16 Line Decoder w/In	2.53
570 -	CD74HC4515E	4 to 16 Line Decoder w/In	1.96
570 -	CD74HC4516E	4-bit Bin Up/Down Counter	0.77
511 -	M74HC4518	Dual Sync BCD Counter	0.71
511 -	M74HC4520	Dual 4-bit Bin Counter	0.71
◆ 511 -	M74HC4520M	Dual 4-bit Bin Counter	0.71
570 -	CD74HC4520E	Dual 4-bit Bin Counter	0.73
511 -	M74HC4538	Dual Monostable Multi	0.74
◆ 511 -	M74HC4538M	Dual Monostable Multi	0.74
570 -	CD74HC4538E	Dual Monostable Multi	0.82
511 -	M74HC4543	BCD to 7-SEG Latch Dr	0.81
511 -	M74HC7266	Quad 2-in Exclusive NOR	0.51
◆ 511 -	M74HC7266M	Quad 2-in Exclusive NOR	0.51
570 -	CD74HC7266E	Quad 2-in Exclusive NOR	0.62
570 -	CD74HC40103E	8-bit Bin Down Counter	0.87
570 -	CD74HC40104E	4-bit Bidir Uni Shift	1.27
570 -	CD74HC40105E	4-bit x 16 FIFO Register	1.05
511 -	M74HCU04	Hex Inverter Single Stage	0.39
◆ 511 -	M74HCU04M	Hex Inverter Single Stage	0.39
570 -	CD74HCU04E	Hex Inverter Single Stage	0.37
570 -	CD74HC22106E	8x8x1 Crosspoint Switch	5.93
74HCT Series High Speed CMOS			
511 -	M74HCT00	Quad 2-input NAND Gate	0.39
◆ 511 -	M74HCT00M	Quad 2-input NAND Gate	0.39
570 -	CD74HCT00E	Quad 2-input NAND Gate	0.37
570 -	CD74HCT00M	Quad 2-input NAND Gate	0.38
511 -	M74HCT02	Quad 2-input NOR Gate	0.39
◆ 511 -	M74HCT02M	Quad 2-input NOR Gate	0.39
570 -	CD74HCT02E	Quad 2-input NOR Gate	0.37
511 -	M74HCT04	Hex Inverter/Buffer	0.39
◆ 511 -	M74HCT04M	Hex Inverter/Buffer	0.39
570 -	CD74HCT04E	Hex Inverter/Buffer	0.37
511 -	M74HCT08	Quad 2-input AND Gate	0.39
◆ 511 -	M74HCT08M	Quad 2-input AND Gate	0.39
570 -	CD74HCT08E	Quad 2-input AND Gate	0.37
511 -	M74HCT10	Triple 3-input NAND Gate	0.39
◆ 511 -	M74HCT10M	Triple 3-input NAND Gate	0.39
570 -	CD74HCT10E	Triple 3-input NAND Gate	0.37
570 -	CD74HCT11E	Triple 3-input AND Gate	0.37
511 -	M74HCT14	Hex Schmitt Inverter	0.46
◆ 511 -	M74HCT14M	Hex Schmitt Inverter	0.46
570 -	CD74HCT21E	Dual 4-input AND Gate	0.40
511 -	M74HCT27	Triple 3-input NOR Gate	0.39
511 -	M74HCT30	8-input NAND Gate	0.39
◆ 511 -	M74HCT30M	8-input NAND Gate	0.39
570 -	CD74HCT30E	8-input NAND Gate	0.37
511 -	M74HCT32	Quad 2-input OR Gate	0.39
◆ 511 -	M74HCT32M	Quad 2-input OR Gate	0.39
570 -	CD74HCT32E	Quad 2-input OR Gate	0.37
570 -	CD74HCT74E	Dual D-type F/F	0.40
511 -	M74HCT74	Dual D-type F/F	0.51
◆ 511 -	M74HCT74M	Dual D-type F/F	0.51
570 -	CD74HCT74M	Dual D-type F/F	0.46
570 -	CD74HCT85E	4-bit Magnitude Comparator	0.68
511 -	M74HCT86	Quad Exclusive OR Gate	0.46
◆ 511 -	M74HCT86M	Quad Exclusive OR Gate	0.46
570 -	CD74HCT86E	Quad Exclusive OR Gate	0.42

MOUSER NO.		Description	Price Each
Mfr.	Industry No.		
74HCT Series High Speed CMOS (cont.)			
◆ 570 -	CD74HCT86M	Quad Exclusive OR Gate	0.47
570 -	CD74HCT123E	Dual Retrigr Monostb Multivi	0.64
511 -	M74HCT125	Quad 3-State Buffer	0.46
◆ 511 -	M74HCT125M	Quad 3-State Buffer	0.46
570 -	CD74HCT125E	Quad 3-State Buffer	0.55
570 -	CD74HCT132E	Quad 2-input NAND Sch Tr	0.55
511 -	M74HCT137	3-to-8 Ln Decodri/Multiplx	0.58
570 -	CD74HCT137E	3-to-8 Ln Decodri/Multiplx	0.68
511 -	M74HCT138	3 to 8 Line Decoder	0.55
◆ 511 -	M74HCT138M	3 to 8 Line Decoder	0.55
570 -	CD74HCT138E	3 to 8 Line Decoder	0.47
570 -	CD74HCT139E	Dual 2-to-4 Line Decoder	0.57
570 -	CD74HCT151E	8-input Multiplexer	0.55
570 -	CD74HCT154E	4 to 16 Line Decodri/Multiplx	1.73
511 -	M74HCT157	Quad 2-to-1 Line Multiplexr	0.60
◆ 511 -	M74HCT157M	Quad 2-to-1 Line Multiplexr	0.60
511 -	M74HCT158	Quad 2-to-1 Line Multiplexr	0.60
570 -	CD74HCT158E	Quad 2-to-1 Line Multiplexr	0.57
570 -	CD74HCT161E	4-bit Async Binary Counter	0.59
570 -	CD74HCT163E	4-bit Sync Bin Counter	0.62
511 -	M74HCT164	8-bit SIPO Shift Register	0.58
570 -	CD74HCT164E	8-bit SIPO Shift Register	0.56
570 -	CD74HCT165E	8-bit PISO Shift Reg	0.57
511 -	M74HCT174	Hex "D" F/F with Clear	0.60
570 -	CD74HCT175E	Quad D-type F/F with Clr	0.53
570 -	CD74HCT182E	Lock-ahead Carry Generatr	0.91
570 -	CD74HCT191E	4-bit Sync Bin Up/Down	0.80
◆ 570 -	CD74HCT191M	4-bit Sync Bin Up/Down	0.71
570 -	CD74HCT193E	Sync Up/Down Bin Counter	0.62
570 -	CD74HCT221E	Dual Monostable Multiplexr	0.77
511 -	M74HCT240	Quad Bus Transceiver	0.78
511 -	M74HCT241	Quad Bus Transceiver	0.78
◆ 511 -	M74HCT241M	Quad Bus Transceiver	0.78
511 -	M74HCT244	Octal Bus Buffer 3-Stage	0.78
◆ 511 -	M74HCT244M	Octal Bus Buffer 3-Stage	0.78
570 -	CD74HCT244E	Octal Bus Buffer 3-Stage	0.70
◆ 570 -	CD74HCT244M	Octal Bus Buffer 3-Stage	0.75
511 -	M74HCT245	Octal Bus Transceiver	0.92
◆ 511 -	M74HCT245M	Octal Bus Transceiver	0.92
570 -	CD74HCT245E	Octal Bus Transceiver	0.73
570 -	CD74HCT251E	8-Channel Multiplexer	0.59
511 -	M74HCT257	Quad 2-Chan Multiplexer	0.58
◆ 511 -	M74HCT257M	Quad 2-Chan Multiplexer	0.58
570 -	CD74HCT257E	Quad 2-Chan Multiplexer	0.55
570 -	CD74HCT259E	8-bit Addressable Latch	0.62
511 -	M74HCT273	Octal D F/F with Clear	0.76
◆ 511 -	M74HCT273M	Octal D F/F with Clear	0.76
570 -	CD74HCT273E	Octal D F/F with Clear	0.66
570 -	CD74HCT280E	9-bit Odd/Even Parity Gen	0.68
570 -	CD74HCT283E	4-bit Binary Full Adder	0.71
570 -	CD74HCT299E	8-bit FIFO Shift Reg	1.00
570 -	CD74HCT356E	8-Ch Multiplexer/Register	0.84
570 -	CD74HCT367E	Hex Bus Buffer, Non-Inv	0.68
511 -	M74HCT373	Octal D-type Latch	0.78
◆ 511 -	M74HCT373M	Octal D-type Latch	0.78
570 -	CD74HCT373E	Octal D-type Latch	0.70
511 -	M74HCT374	Octal D-type Latch	0.78
◆ 511 -	M74HCT374M	Octal D-type F/F	0.78
570 -	CD74HCT374E	Octal D-type F/F	0.68
570 -	CD74HCT377E	Octal D-type F/F	0.79
570 -	CD74HCT393E	Dual Binary Counter	0.62
570 -	CD74HCT423E	Dual Monostable Multivibrat	0.70
570 -	CD74HCT533E	Octal D-type Latch	1.16
511 -	M74HCT534	Octal D-type F/F, Inverting	0.71
570 -	CD74HCT534E	Octal D-type F/F, Inverting	0.87
511 -	M74HCT540	Octal Bus Buffer, Inverting	0.81
570 -	CD74HCT540E	Octal Bus Buffer, Inverting	0.77
511 -	M74HCT541	Octal Bus Buffer	0.81
◆ 511 -	M74HCT541M	Octal Bus Buffer	0.81
570 -	CD74HCT541E	Octal Bus Buffer	0.77
511 -	M74HCT573	Octal D-type Latch	0.81
◆ 511 -	M74HCT573M	Octal D-type Latch	0.81
570 -	CD74HCT573E	Octal D-type Latch	0.79
◆ 570 -	CD74HCT573M	Octal D-type Latch	0.79
511 -	M74HCT574	Octal D-type F/F	0.81
◆ 511 -	M74HCT574M	Octal D-type F/F	0.81
570 -	CD74HCT574E	Octal D-type F/F	0.77
◆ 570 -	CD74HCT574M	Octal D-type F/F	0.98
570 -	CD74HCT597E	8-bit Latch/Shift Reg	0.84
511 -	M74HCT640	Octal Bus Transceiver	1.06
570 -	CD74HCT640E	Octal Bus Transceiver	1.00
511 -	M74HCT646	Octal Bus Transceiver	2.85
570 -	CD74HCT648E	Octal Bus Transceiver	4.09
570 -	CD74HCT670E	4 Word x 4-bit Register	0.87
511 -	M74HCT688	8-bit Equality Comp	0.94
570 -	CD74HCT688E	8-bit Equality Comp	0.91
570 -	CD74HCT4002E	Dual 4-Input NOR Gate	0.31

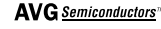
MOUSER NO.		Description	Price Each
Mfr.	Industry No.		
74HCT Series High Speed CMOS (cont.)			
570 -	CD74HCT4015E	Dual 4-bit SIPO Shift	0.89
570 -	CD74HCT4020E	14-Stage Binary Counter	0.64
570 -	CD74HCT4040E	12-Stage Binary Counter	0.68
570 -	CD74HCT4051E	Ana Multiplexr/Demultiplex	0.75
570 -	CD74HCT4060E	14-Stage Binary Counter/Osc	0.80
570 -	CD74HCT4066E	Quad Bilateral Switch	0.61
570 -	CD74HCT4075E	Triple 3-input OR Gate	0.46
570 -	CD74HCT4316E	Quad Analog Switch	0.77
570 -	CD74HCT4351E	Analog Multiplexer	1.36
570 -	CD74HCT4352E	Dual 4-Ch Ana Multiplexer	0.93
570 -	CD74HCT4353E	Analog Multiplexer	0.80
570 -	CD74HCT4510E	4-bit BCD Up/Down Countr	0.96
570 -	CD74HCT4515E	4 to 16 Line Decodri w/In	2.00
570 -	CD74HCT4516E	Preset 4-bit Up/Down Cntr	1.02
570 -	CD74HCT4520E	Dual Binary Up Counter	0.79
570 -	CD74HCT4538E	Dual Monostable Multivibrat	0.84
511 -	M74HCT7007	Hex Buffer	0.46
◆ 511 -	M74HCT7007M	Hex Buffer	0.46
511 -	M74HCT7259	8-bit Addressable Latch	2.85
◆ 511 -	M74HCT7259M	8-bit Addressable Latch	2.85
570 -	CD74HCT40102E	8-bit Sync BCD Down Cntr	0.91
570 -	CD74HCT40103E	Preset 8-bit Binary Dn Cntr	1.00
570 -	CD74HCT40105E	4-bit x 16 FIFO Buff Reg	1.04
74ALS Series Advanced Low Power Schottky			
605 -	74ALS00AN	Quad 2-Input NAND Gate	0.40
605 -	74ALS02N	Quad 2-Input NOR Gate	0.40
605 -	74ALS04BN	Hex Inverter/Buffer	0.40
605 -	74ALS05AN	Hex Inverter	0.40
605 -	74ALS08N	Quad 2-Input AND Gate	0.40
605 -	74ALS32N	Quad 2-Input OR Gate	0.40
605 -	74ALS109AN	Dual J-K Flip-Flop	0.43
605 -	74ALS125N	Octal Bus Buffer, 3-State	0.40
605 -	74ALS138N	3 to 8 Line Decoder	0.46
605 -	74ALS161BN	4-Bit Async Binary Counter	0.51
605 -	74ALS163BN	4-Bit Sync Binary Counter	0.51
605 -	74ALS174AN	Hex "D" Flip-Flop w/Clear	0.51
605 -	74ALS175N	Quad "D" Type Flip-Flop	0.51
605 -	74ALS240AN	Octal Bus Buffer, 3-State	

Manufacturer	Prefix
AVG Semiconductor	605
Harris Semiconductor	570

CMOS IC's

74LS / 74S / 4000 Series

Manufacturer	Prefix
NTE	526
SGS Thomson	511



◆ Surface Mount Device

For quantities greater than listed call for quote

For quantities greater than listed call for quote

For quantities greater than listed call for quote

MOUSER NO.		Description	Price Each
Mfr.	Industry No.		
74LS Series Low Power Schottky (cont.)			
◆ 605	74LS125AD	Quad Bus Buffer 3-State	0.43
605	74LS125AN	Quad Bus Buffer 3-State	0.34
◆ 511	74LS132M	Quad 2-input Schmt NAND	0.41
605	74LS138N	3 to 8 Line Decoder	0.40
605	74LS139N	Dual 2 to 4 Line Decoder	0.40
605	74LS151N	8 to 1 Line Multiplexer	0.40
511	74LS152	8 to 1 Line Multiplexer	0.51
511	74LS153	Dual 4 to 1 Line Multiplexer	0.51
605	74LS153N	Dual 4 to 1 Line Multiplexer	0.40
605	74LS155N	Dual 1 to 4 Decoder/Multipx	0.40
◆ 511	74LS157M	Quad 2 to 1 Line Multiplex	0.51
605	74LS157N	Quad 2 to 1 Line Multiplex	0.40
605	74LS161AN	4-bit Async Binary Counter	0.43
605	74LS163AN	4-bit Sync Binary Counter	0.43
605	74LS164AN	8-bit SIPO Shift Register	0.43
◆ 511	74LS166M	8-bit PISO Shift Register	0.55
511	74LS169	Sync Mod 16 Bin Counter	0.60
605	74LS174N	Hex "D" F/F W/Clear	0.43
605	74LS175N	Quad D-type F/F W/Clear	0.40
511	74LS191	4-bit Sync Bin Up/Down	0.60
605	74LS191N	4-bit Sync Bin Up/Down	0.43
526	NTE74LS192	Sync Up/Down Dec Count	2.63
511	74LS195A	4-bit PIPO Shift Register	0.55
511	74LS197	4-bit Binary Counter	0.55
605	74LS240N	Octal Bus Buffer 3-Stage	0.54
605	74LS241N	Octal Bus Buffer 3-Stage	0.54
605	74LS243N	Octal Bus Transceiver	0.43
◆ 605	74LS244D	Octal Bus Buffer 3-Stage	0.60
605	74LS244N	Octal Bus Buffer 3-Stage	0.54
◆ 511	74LS245M	Octal Bus Transceiver	0.81
◆ 605	74LS245D	Octal Bus Transceiver	0.60
605	74LS245N	Octal Bus Transceiver	0.54
511	74LS251	8-Chan Multiplexer 3-Stage	0.53
605	74LS251N	8-Chan Multiplexer 3-Stage	0.43
605	74LS253N	Dual 4-Chan Multiplexer	0.43
605	74LS257BN	Quad 2-Chan Multiplexer	0.43
605	74LS258BN	Quad 2-Chan Multiplexer	0.43
605	74LS259N	8-bit Addressable Latch	0.43
511	74LS260	Dual 5-input NOR Gate	0.35
605	74LS273N	Octal D-type F/F W/Clear	0.54
511	74LS279	Quad Set/Reset Latch	0.55
511	74LS280	9-bit Parity Generator	0.55
511	74LS283	4-bit Bin Full Adder	0.55
511	74LS352	Dual 4 to 1 Line Multiplex	0.55
511	74LS353	Dual 4 to 1 Line Multiplex	0.55
511	74LS365A	Hex Bus Buffer Non-Invert	0.41
◆ 511	74LS367AM	Hex Bus Buffer Non-Invert	0.41
605	74LS373N	Octal D-type Latch	0.54
◆ 511	74LS374M	Octal D-type F/F	0.69
605	74LS374N	Octal D-type F/F	0.54
◆ 511	74LS377M	Octal D-type F/F	0.74
605	74LS377N	Octal D-type F/F	0.54
511	74LS379	Quad Set/Reset Latch	0.55
◆ 511	74LS393M	Dual Binary Counter	0.53
605	74LS393N	Dual Binary Counter	0.43
511	74LS395	4-bit Shift Reg 3-Stage	0.55
511	74LS490	Dual BCD Dec Counter	0.58
605	74LS573N	Octal D-type Latch	0.54
605	74LS574N	Octal D-type Flip Flop	0.54
74S Series Schottky TTL			
526	NTE74S00	Quad 2-input NAND Gate	0.97
526	NTE74S02	Quad 2-input NOR Gate	1.35
526	NTE74S03	Quad 2-input NAND Gate	0.97
526	NTE74S04	Hex Inverter/Buffer	1.21
526	NTE74S05	Hex Inverter	1.21
526	NTE74S08	Quad 2-input AND Gate	1.13
526	NTE74S09	Quad 2-input AND Gate	1.13
526	NTE74S10	Triple 3-input NAND Gate	1.01
526	NTE74S11	Triple 3-input AND Gate	1.26
526	NTE74S15	Triple 3-input AND Gate	1.01
526	NTE74S20	Dual 4-input NAND Gate	1.01
526	NTE74S22	Dual 4-input NAND Gate	1.24
526	NTE74S30	8-input NAND Gate	1.19
526	NTE74S40	Dual 4-input NAND Buffer	1.10
526	NTE74S51	Dual AND/OR Invert Gate	1.10
526	NTE74S64	4-2-3-2 AND/OR Inverter	1.10
526	NTE74S65	4-2-3-2 AND/OR Inverter	0.73
526	NTE74S74	Dual D-type FF	1.76
526	NTE74S86	Quad Exclusive OR Gate	1.58
526	NTE74S112	Dual J-K FF w/ Ps & Clr	2.11
526	NTE74S113	Dual J-K Flip-Flop	1.93
526	NTE74S114	Dual J-K Flip-Flop	2.00
526	NTE74S133	13-input NAND Gate	1.08
526	NTE74S134	12-input NAND Gate	1.09
526	NTE74S138	3 to 8 Line Decoder	4.84
526	NTE74S140	Dual 4-input NAND Gate	1.61
526	NTE74S151	8 to 1 Line Multiplex	5.26

MOUSER NO.		Description	Price Each
Mfr.	Industry No.		
74S Series Schottky TTL (cont.)			
526	NTE74S153	Dual 4 to 1 Line Multiplex	4.48
526	NTE74S157	Quad 2 to 1 Line Multiplex	4.70
526	NTE74S158	Quad 2 to 1 Line Multiplex	4.70
526	NTE74S175	Quad D-type FF with Clear	5.55
526	NTE74S181	4-bit Arith Logic	17.45
526	NTE74S188	256-bit Prom	3.55
526	NTE74S194	4-bit PIPO Shift Register	5.50
526	NTE74S251	8-Channel Multiplex 3-St	5.26
526	NTE74S257	Quad 2-Channel Multiplex	4.75
526	NTE74S258	Quad 2-Channel Multiplex	4.70
526	NTE74S260	Dual 5-input NOR Gate	1.88
526	NTE74S288	256-bit Prom 3-State	3.55
526	NTE74S374	Octal D-type F/F	2.97
526	NTE74S472	4096-bit Prom 3-St	9.38
526	NTE74S573	4096-bit Prom 3-St	9.54
4000 Series CMOS			
511	4000	Dual 3-input NOR & Inv	0.39
◆ 511	4000BM	Dual 3-input NOR & Inv	0.39
511	4001	Quad 2-input NOR Gate	0.39
◆ 511	4001BM	Quad 2-input NOR Gate	0.39
570	CD4001BE	Quad 2-input NOR Gate	0.37
511	4002	Dual 4-input NOR Gate	0.39
◆ 511	4002BM	Dual 4-input NOR Gate	0.39
570	CD4002BE	Dual 4-input NOR Gate	0.38
511	4006	18-bit State Shift Register	0.64
◆ 511	4006BM	18-bit State Shift Register	0.64
570	CD4006BE	18-bit State Shift Register	0.86
511	4007U	Dual Comp Inverter	0.39
◆ 511	4007UBM	Dual Comp Inverter	0.39
570	CD4007UBD	Dual Comp Inverter	6.63
570	CD4007UBE	Dual Comp Inverter	0.38
511	4008	4-bit Full Adder	0.74
◆ 511	4008BM	4-bit Full Adder	0.74
511	4009U	Hex Buffer/Converter	0.46
◆ 511	4009UBM	Hex Buffer/Converter	0.46
570	CD4009UBE	Hex Buffer/Converter	0.71
511	4010	Hex Buffer/Converter	0.46
◆ 511	4010BM	Hex Buffer/Converter	0.46
570	CD4010BE	Hex Buffer/Converter	0.64
511	4011	Quad 2-input NAND Gate	0.39
◆ 511	4011BM	Quad 2-input NAND Gate	0.39
570	CD4011BE	Quad 2-input NAND Gate	0.38
570	CD4011BF	Quad 2-input NAND Gate	1.14
570	CD4011UBE	Quad 2-input NAND Gate	1.18
511	4012	Dual 4-input NAND Gate	0.39
◆ 511	4012BM	Dual 4-input NAND Gate	0.39
570	CD4012BE	Dual 4-input NAND Gate	0.37
511	4013	Dual D Flip-Flop	0.46
◆ 511	4013BM	Dual D Flip-Flop	0.46
570	CD4013BF	Dual D Flip-Flop	1.39
511	4014	8 Stage Sync Reg	0.76
◆ 511	4014BM	8 Stage Sync Reg	0.76
570	CD4014BE	8 Stage Sync Reg	0.95
511	4015	Dual 4-Stage Shift Register	0.76
◆ 511	4015BM	Dual 4-Stage Shift Register	0.76
570	CD4015BE	Dual 4-Stage Shift Register	0.84
511	4016	Quad Bilateral Switch	0.44
◆ 511	4016BM	Quad Bilateral Switch	0.44
570	CD4016BD	Quad Bilateral Switch	9.58
570	CD4016BE	Quad Bilateral Switch	0.46
511	4017	Decade Counter	0.69
◆ 511	4017BM	Decade Counter	0.69
570	CD4017BE	Decade Counter	0.84
570	CD4017BF	Decade Counter	2.98
511	4018	Presetable Counter	0.71
◆ 511	4018BM	Presetable Counter	0.71
570	CD4018BE	Presetable Counter	0.95
511	4019	Quad AND/OR Select	0.46
◆ 511	4019BM	Quad AND/OR Select	0.46
570	CD4019AF	Quad AND/OR Select	2.69
511	4020	14-Stage Binary Counter	0.71
◆ 511	4020BM	14-Stage Binary Counter	0.71
570	CD4020AD	14-Stage Binary Counter	19.17
570	CD4020BE	14-Stage Binary Counter	0.82
511	4021	8-Stage Async Par/In	0.76
◆ 511	4021BM	8-Stage Async Par/In	0.76
570	CD4021BE	8-Stage Async Par/In	0.82
511	4022	Octal Counter/Divider	0.76
◆ 511	4022BM	Octal Counter/Divider	0.76
570	CD4022BE	Octal Counter/Divider	0.82
511	4023	Triple 3-input NAND Gate	0.39
◆ 511	4023BM	Triple 3-input NAND Gate	0.39
570	CD4023BE	Triple 3-input NAND Gate	0.41
511	4024	7-Stage Binary Counter	0.55
◆ 511	4024BM	7-Stage Binary Counter	0.55
570	CD4024BE	7-Stage Binary Counter	0.61
511	4025	Triple 3-input NOR Gate	0.39

MOUSER NO.		Description	Price Each
Mfr.	Industry No.		
4000 Series (cont.)			
◆ 511	4025BM	Triple 3-input NOR Gate	0.39
570	CD4025BE	Triple 3-input NOR Gate	0.38
511	4026	Dec Counter/Div Display	0.92
570	CD4026BE	Dec Counter/Div Display	0.87
511	4027	Dual J-K with Set/Reset	0.51
◆ 511	4027BM	Dual J-K with Set/Reset	0.51
570	CD4027BE	Dual J-K with Set/Reset	0.47
511	4028	BCD to Decimal Decoder	0.60
◆ 511	4028BM	BCD to Decimal Decoder	0.60
570	CD4028BE	BCD to Decimal Decoder	0.82
570	CD4028BF	BCD to Decimal Decoder	2.36
511	4029	Preset Up/Down Counter	0.71
◆ 511	4029BM	Preset Up/Down Counter	0.71
570	CD4029BE	Preset Up/Down Counter	0.84
511	4030	Quad Exclusive OR Gate	0.46
◆ 511	4030BM	Quad Exclusive OR Gate	0.46
570	CD4030BE	Quad Exclusive OR Gate	0.51
511	4031	64-Stg State Shift Reg	1.22
511	4032	Pos Triple Ser Adder	0.76
511	4033	Decade Cntr/divide	0.87
511	4034	8 Stage Bi-direct Reg	3.13
511	4035	4 Stage Parallel Reg	0.67
◆ 511	4035BM	4 Stage Parallel Reg	0.67
570	CD4038BE	Neg Triple Ser Adder	1.21
511	4040	12-Stage Binary Counter	0.71
◆ 511	4040BM	12-Stage Binary Counter	0.71
570	CD4040BE	12-Stage Binary Counter	0.82
511	4041U	Quad True/Comparator	0.60
◆ 511	4041UBM	Quad True/Comparator	0.60
570	CD4041UBD	Quad True/Comparator	10.83
570	CD4041UBE	Quad True/Comparator	1.41
511	4042	Quad Clockd D Latch	0.51
◆ 511	4042BM	Quad Clockd D Latch	0.51
570	CD4042BE	Quad Clockd D Latch	0.62
511	4043	Quad NOR R/S 3-output	0.60
◆ 511	4043BM	Quad NOR R/S 3-output	0.60
570	CD4043BE	Quad NOR R/S 3-output	0.82
511	4044	Quad NAND R/S 3-output	0.60
◆ 511	4044BM	Quad NAND R/S 3-output	0.60
570	CD4044AD	Quad NAND R/S 3-output	9.05
511	4045	21 Stage Timer	1.10
511	4046	Phase-locked Loop	0.81
570	CD4046BE	Phase-locked Loop	0.95
511	4047	Monostable Multivibrator	0.69
◆ 511	4047BM	Monostable Multivibrator	0.69
570	CD4047BD	Monostable Multivibrator	9.68
570	CD4047BE	Monostable Multivibrator	0.84
511	4048	Expand 8-input Gate	0.60
570	CD4048BD	Expand 8-input Gate	6.91
570	CD4048BF	Expand 8-input Gate	2.50
511	4049U	Hex Buffer/Converter	0.44
◆ 511	4049UBM	Hex Buffer/Converter	0.44
570	CD4049AD	Hex Buffer/Converter	

Manufacturer	Prefix
Harris Semiconductor	570
NTE	526
SGS Thomson	511

CMOS IC's

4000 / 22000 / 80C Series



◆ Surface Mount Device

For quantities greater than listed call for quote

For quantities greater than listed call for quote

For quantities greater than listed call for quote

MOUSER NO.		Description	Price Each
Mfr.	Industry No.		1-99
4000 Series (cont.)			
◆	511 - 4068BM	8-input NAND/AND Gate	0.39
◆	570 - CD4068BE	8-input NAND/AND Gate	0.38
◆	511 - 4069U	Hex Inverter	0.39
◆	511 - 4069UBM	Hex Inverter	0.39
◆	570 - CD4069UBE	Hex Inverter	0.38
◆	570 - CD4069UBF	Hex Inverter	1.05
◆	511 - 4070	Quad Exclusive OR Gate	0.39
◆	511 - 4070BM	Quad Exclusive OR Gate	0.39
◆	570 - CD4070BE	Quad Exclusive OR Gate	0.38
◆	511 - 4071	Quad 2-input OR Gate	0.39
◆	511 - 4071BM	Quad 2-input OR Gate	0.39
◆	570 - CD4071BE	Quad 2-input OR Gate	0.38
◆	570 - CD4071BF	Quad 2-input OR Gate	1.30
◆	511 - 4072	Dual 4-input OR Gate	0.39
◆	511 - 4072BM	Dual 4-input OR Gate	0.39
◆	570 - CD4072BD	Dual 4-input OR Gate	6.63
◆	511 - 4073	Triple 3-input AND Gate	0.39
◆	511 - 4073BM	Triple 3-input AND Gate	0.39
◆	570 - CD4073BE	Triple 3-input AND Gate	0.37
◆	511 - 4075	Triple 3-input OR Gate	0.39
◆	511 - 4075BM	Triple 3-input OR Gate	0.39
◆	570 - CD4075BE	Triple 3-input OR Gate	0.37
◆	511 - 4076	4 Bit D-type Register	0.67
◆	511 - 4076BM	4 Bit D-type Register	0.67
◆	570 - CD4076BE	4 Bit D-type Register	0.87
◆	511 - 4077	Quad Exclusive NOR Gate	0.39
◆	511 - 4077BM	Quad Exclusive NOR Gate	0.39
◆	570 - CD4077BE	Quad Exclusive NOR Gate	0.38
◆	511 - 4078	8-input NOR/OR Gate	0.39
◆	511 - 4078BM	8-input NOR/OR Gate	0.39
◆	570 - CD4078BE	8-input NOR/OR Gate	0.38
◆	511 - 4081	Quad 2-input AND Gate	0.39
◆	511 - 4081BM	Quad 2-input AND Gate	0.39
◆	570 - CD4081BE	Quad 2-input AND Gate	0.38
◆	511 - 4082	Dual 4-input AND Gate	0.39
◆	511 - 4082BM	Dual 4-input AND Gate	0.39
◆	570 - CD4082BE	Dual 4-input AND Gate	0.38
◆	511 - 4085	Dual AND/OR Inv Gate	0.44
◆	511 - 4086	Expand AND/OR Inv Gate	0.44
◆	511 - 4089	Binary Rate Multiplexer	0.92
◆	570 - CD4089BE	Binary Rate Multiplexer	1.29
◆	511 - 4093	Quad 2-input NAND Schmt	0.44
◆	511 - 4093BM	Quad 2-input NAND Schmt	0.44
◆	570 - CD4093BE	Quad 2-input NAND Schmt	0.49
◆	511 - 4094	8-Stage Shift/Store Reg	0.69
◆	511 - 4094BM	8-Stage Shift/Store Reg	0.69
◆	570 - CD4094BE	8-Stage Shift/Store Reg	0.75
◆	511 - 4095	Gated J-K Non-Inv F/F	0.69
◆	570 - CD4096BE	Gated J-K Flip-Flop	0.87
◆	511 - 4097	Diff 8-Channel Multiplexer	3.13
◆	511 - 4098	Dual Mono Multivibrator	0.64
◆	511 - 4098BM	Dual Mono Multivibrator	0.64
◆	570 - CD4098BD	Dual Mono Multivibrator	12.18
◆	570 - CD4098BE	Dual Mono Multivibrator	0.73

MOUSER NO.		Description	Price Each
Mfr.	Industry No.		1-99
4000 Series (cont.)			
◆	511 - 4099	8 Bit Addressable Latch	0.78
◆	511 - 4099BM	8 Bit Addressable Latch	0.78
◆	511 - 4502	3-State Hex/Inv Buffer	0.64
◆	511 - 4502BM	3-State Hex/Inv Buffer	0.64
◆	570 - CD4502BF	3-State Hex/Inv Buffer	3.23
◆	511 - 4503	3-State Hex/Non-Inv Buffer	0.67
◆	511 - 4503BM	3-State Hex/Non-Inv Buffer	0.67
◆	570 - CD4503BE	3-State Hex/Non-Inv Buffer	0.73
◆	511 - 4508	Dual 4-bit Latch	3.13
◆	570 - CD4508BE	Dual 4-bit Latch	2.54
◆	511 - 4510	4-bit BCD Up/Down Cntr	0.92
◆	570 - CD4510BF	4-bit BCD Up/Down Cntr	3.43
◆	511 - 4511	BCD-to-7 SEG Latch Dec	0.90
◆	511 - 4511BM	BCD-to-7 SEG Latch Dec	0.90
◆	570 - CD4511BE	BCD-to-7 SEG Latch Dec	0.95
◆	570 - CD4511BF	BCD-to-7 SEG Latch Dec	3.48
◆	511 - 4512	8-Channel Data Selector	0.58
◆	511 - 4512BM	8-Channel Data Selector	0.58
◆	570 - CD4512BE	8-Channel Data Selector	0.87
◆	511 - 4514	4 bit Latch/4-16 Line Dec	3.13
◆	570 - CD4514BE	4 bit Latch/4-16 Line Dec	2.11
◆	511 - 4515	4 bit Latch/4-16 Line Dec	3.13
◆	511 - 4516	Prst 4 bit Up/Down Cntr	0.74
◆	511 - 4516BM	Prst 4 bit Up/Down Cntr	0.74
◆	570 - CD4516BE	Prst 4 bit Up/Down Cntr	0.93
◆	511 - 4517	Dual 64-Stage Shift Reg	1.82
◆	511 - 4518	Dual BCD Up Counter	0.67
◆	511 - 4518BM	Dual BCD Up Counter	0.67
◆	570 - CD4518BE	Dual BCD Up Counter	0.95
◆	511 - 4520	Dual Bin Up Counter	0.67
◆	511 - 4520BM	Dual Bin Up Counter	0.67
◆	570 - CD4520BE	Dual Bin Up Counter	0.87
◆	511 - 4527	BCD Rate Multiplier	0.92
◆	570 - CD4527BE	BCD Rate Multiplier	1.05
◆	511 - 4529	Dual 4-Ch Ana Data Select	0.67
◆	511 - 4532	8-input Priority Encoder	0.64
◆	511 - 4532BM	8-input Priority Encoder	0.64
◆	570 - CD4532BE	8-input Priority Encoder	1.04
◆	511 - 4536	Programmable Timer	1.20
◆	511 - 4538	Dual Mono Multivibrator	0.81
◆	511 - 4538BM	Dual Mono Multivibrator	0.81
◆	511 - 4541	Programmable Timer	0.74
◆	511 - 4541BM	Programmable Timer	0.74
◆	570 - CD4541BE	CMOS Prog Timer	0.84
◆	511 - 4543	Crystal Display Dvrv	0.74
◆	570 - CD4543BE	Crystal Display Dvrv	0.84
◆	511 - 4555	Dual 1 of 4 Dec/Multiplxr	0.67
◆	570 - CD4555BE	Dual 1 of 4 Dec/Multiplxr	0.84
◆	511 - 4556	Dual 1 of 4 Dec/Multiplxr	0.67
◆	511 - 4556BM	Dual 1 of 4 Dec/Multiplxr	0.67
◆	511 - 4585	4 Bit Mag Comparator	0.74
◆	511 - 4585BM	4 Bit Mag Comparator	0.74
◆	570 - CD4585BE	4 Bit Mag Comparator	0.95
◆	511 - 4724	8 Bit Addressable Latch	0.78

MOUSER NO.		Description	Price Each
Mfr.	Industry No.		1-99
4000 Series (cont.)			
◆	570 - CD4724BE	8 Bit Addressable Latch	1.21
◆	511 - 40100	32-bit L/R Shift Reg	1.01
◆	570 - CD40100BE	32-bit L/R Shift Reg	1.25
◆	511 - 40101	9-bit Parity Gen/Chk	0.64
◆	511 - 40102	Preset 8 bit Bin Dn Cnt	1.08
◆	570 - CD40102BE	Preset 8 bit Bin Dn Cnt	1.25
◆	511 - 40103	Preset 8 bit Bin Dn Cnt	1.08
◆	570 - CD40103BE	Preset 8 bit Bin Dn Cnt	1.12
◆	570 - CD40103BF	Preset 8 bit Bin Dn Cnt	4.04
◆	511 - 40104	4-bit Bi-dir Shift Reg	0.87
◆	511 - 40105	4 bit x 16 FIFO Buffer Reg	1.47
◆	570 - CD40105BE	4 bit x 16 FIFO Buffer Reg	1.48
◆	511 - 40106	Hex Schmitt Trigger	0.51
◆	511 - 40106BM	Hex Schmitt Trigger	0.51
◆	570 - CD40106BE	Hex Schmitt Trigger	0.51
◆	511 - 40107	Dual 2-input NAND Buffer	0.51
◆	511 - 40107BM	Dual 2-input NAND Buffer	0.51
◆	570 - CD40107BE	Dual 2-input NAND Buffer	0.55
◆	511 - 40109	Quad Lo to Hi Interface	3.43
◆	511 - 40109BM	Quad Lo to Hi Interface	3.43
◆	570 - CD40109BE	Quad Lo to Hi Interface	0.89
◆	511 - 40110	Decade Up/Down Counter	1.47
◆	570 - CD40114BE	16 X 4 CMOS Ram	2.91
◆	570 - CD40116E	8-bit Bi-direc Converter	11.82
◆	511 - 40160	Decade Cntr/Async Clr	0.85
◆	570 - CD40160BE	Decade Cntr/Async Clr	0.96
◆	511 - 40161	Binary Cntr/Async Clr	0.85
◆	511 - 40162	Decade Cntr/Async Clr	0.85
◆	511 - 40163	Bin Cntr/Sync Clr	0.85
◆	511 - 40174	Hex "D" Flip-Flop	0.67
◆	511 - 40174BM	Hex "D" Flip-Flop	0.67
◆	570 - CD40174BE	Hex "D" Flip-Flop	0.75
◆	511 - 40181	4 Bit Arithmetic Unit	3.31
◆	511 - 40182	Look-Ahead-Carry Blk	0.64
◆	570 - CD40182BE	Look-Ahead-Carry Blk	0.77
◆	511 - 40192	Prst 4-bit BCD Up/Down	0.97
◆	511 - 40193	Prst 4-bit Bin Up/Down	0.97
◆	570 - CD40193BE	Prst 4-bit Bin Up/Down	1.25
◆	570 - CD40194BE	4-bit Bi-dir Shift Reg	0.87
◆	526 - NTE40195B	4 Bit Shift Register	3.78
◆	511 - 40208	4 X 4 Multiport Reg	3.17
◆	511 - 40257	Quad Line-to-Line Multiplex	0.64
22000 Series CMOS			
◆	511 - M22100B	4x4 Crosspoint Switch	1.31
◆	570 - CD22100E	4x4 Crosspoint Switch	0.99
◆	570 - CD22402E	TV Camera Sync Generator	8.64
80C Series CMOS			
◆	526 - NTE80C95	Hex 3-State Buffer	1.68
◆	526 - NTE80C96	Hex 3-State Inverter	4.45
◆	526 - NTE80C97	Hex 3-State Buffer	3.11

Manufacturer	Prefix
NJR (JRC)	513

Linear IC's

07 to 072



◆ Surface Mount Device

For quantities greater than listed call for quote

For quantities greater than listed call for quote

For quantities greater than listed call for quote

MOUSER NO.		Description	Price Each
Mfr.	Industry No.		1-99
Linear Series			
◆	511 - OP07CN	DIP-8 Single BiPolar Op Am	0.87
◆	513 - NJMOP-07D	DMP-8 Single BiPolar Op Am	0.92
◆	513 - NJMOP-07M	SO-8 Single BiPolar OpAm	0.92
◆	511 - TSH10ID	SO-8 Single BiCMOS OpAm	1.04
◆	511 - TSH10IN	DIP-8 Single BiCMOS OpA	1.04
◆	511 - TSH11ID	SO-8 Single BiCMOS OpAm	1.13
◆	511 - TSH11IN	DIP-8 Single BiCMOS OpAm	1.13
◆	511 - TSH22ID	SO-8 Dual BiPolar Op Amp	1.27
◆	511 - TSH22IN	DIP-8 Dual BiPolar Op Amp	1.27
◆	511 - LF25CDT	TO-252 +V Reg 0.5A 2.5V	1.01
◆	511 - LF25CV	TO-220 +V Reg 0.5A 2.5V	0.97
◆	511 - LF30CDT	TO-252 +V Reg 0.5A 3.0V	1.01
◆	511 - LF30CV	TO-220 +V Reg 0.5A 3.0V	0.97
◆	511 - TSH31ID	SO-8 Single BiCMOS OpAm	1.54
◆	511 - TSH31IN	DIP-8 Single BiCMOS Op A	1.54
◆	511 - LF33CDT	TO-252 +V Reg 0.5A 3.3V	1.01
◆	511 - LF33CV	TO-220 +V Reg 0.5A 3.3V	0.97
◆	511 - LF47CDT	TO-252 +V Reg 0.5A 4.7V	1.01
◆	511 - LF47CV	TO-220 +V Reg 0.5A 4.7V	0.97

MOUSER NO.		Description	Price Each
Mfr.	Industry No.		1-99
Linear Series (cont.)			
◆	511 - LF50CDT	TO-252 +V Reg 0.5A 5.0V	1.01
◆	511 - LF50CV	TO-220 +V Reg 0.5A 5.0V	0.97
◆	511 - LF52CDT	TO-252 +V Reg 0.5A 5.2V	1.01
◆	511 - LF52CV	TO-220 +V Reg 0.5A 5.2V	0.97
◆	511 - LF60CDT	TO-252 +V Reg 0.5A 6.0V	1.01
◆	511 - LF60CV	TO-220 +V Reg 0.5A 6.0V	0.97
◆	511 - TL061ACD	SO-8 Single JFET Op Amp	0.81
◆	511 - TL061ACN	DIP-8 Single JFET Op Amp	0.81
◆	511 - TL061CD	SO-8 Single JFET Op Amp	0.51
◆	511 - TL061CN	DIP-8 Single JFET Op Amp	0.51
◆	511 - TL061ID	SO-8 Single JFET Op Amp	0.62
◆	511 - TL061IN	DIP-8 Single JFET Op Amp	0.62
◆	511 - TL062ACD	SO-8 Dual JFET Op Amp	0.85
◆	511 - TL062ACN	DIP-8 Dual JFET Op Amp	0.85
◆	511 - TL062CD	SO-8 Dual JFET Op Amp	0.53
◆	511 - TL062CN	DIP-8 Dual JFET Op Amp	0.53
◆	511 - TL062ID	SO-8 Dual JFET Op Amp	0.67
◆	511 - TL062IN	DIP-8 Dual JFET Op Amp	0.67
◆	513 - NJM062D	DIP-8 Dual JFET Op Amp	0.41

MOUSER NO.		Description	Price Each
Mfr.	Industry No.		1-99
Linear Series (cont.)			
◆	513 - NJM062E	SO-8 Dual JFET Op Amp	0.45
◆	511 - TL064ACD	SO-14 Quad JFET Op Amp	1.17
◆	511 - TL064ACN	DIP-14 Quad JFET Op Amp	1.17

Manufacturer	Prefix
EXL Semiconductor	333
Harris Semiconductor	570
NJR (JRC)	513



Linear IC's

072 to 358

Manufacturer	Prefix
Rohm	592
SGS Thomson	511

◆ Surface Mount Device

For quantities greater than listed call for quote

For quantities greater than listed call for quote

For quantities greater than listed call for quote

MOUSER NO.		Description	Price Each
Mfr.	Industry No.		1-99
Linear Series			
511 -	TL072ID	SO-8 Dual JFET Op Amp	0.62
511 -	TL072IN	DIP-8 Dual JFET Op Amp	0.62
513 -	NJM072BD	DIP-8 Dual JFET Op Amp	0.52
513 -	NJM072BE	SO-8 Dual JFET Op Amp	0.56
511 -	TL074ACD	SO-14 Quad JFET Op Amp	1.10
511 -	TL074ACN	DIP-14 Quad JFET Op Amp	1.10
511 -	TL074CD	SO-14 Quad JFET Op Amp	0.60
511 -	TL074CN	DIP-14 Quad JFET Op Amp	0.60
511 -	TL074ID	SO-14 Quad JFET Op Amp	0.74
511 -	TL074IN	DIP-14 Quad JFET Op Amp	0.74
513 -	NJM074D	DIP-14 Quad JFET Op Amp	0.81
513 -	NJM074M	DMP-14 Quad JFET Op Amp	0.81
511 -	LF80CDT	TO-252 + V Reg 0.5A 8.0V	1.01
511 -	LF80CV	TO-220 + V Reg 0.5A 8.0V	0.97
511 -	TL081ACD	SO-8 Single JFET Op Amp	0.85
511 -	TL081ACN	DIP-8 Single JFET Op Amp	0.85
511 -	TL081CD	SO-8 Single JFET Op Amp	0.46
511 -	TL081CN	DIP-8 Single JFET Op Amp	0.46
511 -	TL081ID	SO-8 Single JFET Op Amp	0.58
511 -	TL081IN	DIP-8 Single JFET Op Amp	0.58
511 -	TL082ACD	SO-8 Dual JFET Op Amp	0.85
511 -	TL082ACN	DIP-8 Dual JFET Op Amp	0.85
511 -	TL082CD	SO-8 Dual JFET Op Amp	0.51
511 -	TL082CN	DIP-8 Dual JFET Op Amp	0.51
511 -	TL082ID	SO-8 Dual JFET Op Amp	0.62
511 -	TL082IN	DIP-8 Dual JFET Op Amp	0.62
511 -	TL084ACD	SO-14 Quad JFET Op Amp	1.10
511 -	TL084ACN	DIP-14 Quad JFET Op Amp	1.10
511 -	TL084CD	SO-14 Quad JFET Op Amp	0.60
511 -	TL084CN	DIP-14 Quad JFET Op Amp	0.60
511 -	TL084ID	SO-14 Quad JFET Op Amp	0.74
511 -	TL084IN	DIP-14 Quad JFET Op Amp	0.74
513 -	NJM084D	DIP-14 Quad JFET Op Amp	0.81
513 -	NJM084M	DMP-14 Quad JFET Op Amp	0.81
511 -	LF85CDT	TO-252 + V Reg 0.5A 8.5V	1.01
511 -	LF85CV	TO-220 + V Reg 0.5A 8.5V	0.97
511 -	M093B1	DIP-40 12x8 CrossPoint Sw	9.09
511 -	TSH94ID	SO-16 BiCMOS Quad OpAmp	2.92
511 -	TSH94IN	DIP-16 BiCMOS Quad OpA	2.44
595 -	SG103-2.7Z	TO-46 2.7 Volt Ref	13.25
595 -	SG103-4.7Z	TO-46 4.7 Volt Ref	13.25
595 -	SG105J	DIP-14 +V Reg 20mA	8.10
511 -	LK115D25	SO-8 +V Reg 0.1A 2.5V	0.55
511 -	LK115D33	SO-8 +V Reg 0.1A 3.3V	0.55
511 -	LK115D40	SO-8 +V Reg 0.1A 4.0V	0.55
511 -	LK115D48	SO-8 +V Reg 0.1A 4.8V	0.55
511 -	LK115D50	SO-8 +V Reg 0.1A 5.0V	0.55
511 -	LM117K	TO-3 +V Reg Adj	3.36
595 -	SG120-05K	TO-3 -V Reg 5V	6.30
595 -	SG120-18K	TO-3 -V Reg 18V	28.05
595 -	SG120-20T	TO-39 -V Reg 20V	27.20
511 -	LM123K	TO-3 +V Reg 3A 5V	5.06
570 -	CA124E	DIP-14 GP Quad Op Amp	1.73
595 -	SG138AK	TO-3 5A +Adj V Reg	46.75
511 -	LM139N	DIP-14 Quad V-Comp	2.05
511 -	L149V	Pentawatt 4A Power Stage	1.73
511 -	TSH150ID	SO-8 Single BiCMOS Op A	4.32
511 -	TSH150IN	DIP-8 Single BiCMOS Op A	4.32
511 -	TSH151ID	SO-8 Single BiCMOS Op A	4.58
511 -	TSH151IN	DIP-8 Single BiCMOS Op A	4.58
570 -	CA158E	DIP-8 GP Dual Op Amp	1.71
511 -	LM201AD	SO-8 Single Op Amp	0.83
511 -	LM201AN	DIP-8 Single Op Amp	0.83
513 -	NJU201AD	DIP-16 Quad Ana Switch	1.22
513 -	NJU201AM	DMP-16 Quad Ana Switch	1.28
511 -	LS204CD	SO-8 Dual Bipolar Op Amp	0.92
511 -	LS204CN	DIP-8 Dual Bipolar Op Amp	0.90
511 -	LS204ID	SO-8 Dual Bipolar Op Amp	1.22
595 -	SG205T	TO-99 .02A +V Reg	4.25
595 -	SG207T	TO-99 Gen Pur Op Amp	3.60
511 -	LM208AD	SO-8 Single Bipolar OpAmp	1.61
511 -	LM208D	SO-8 Single Bipolar OpAmp	1.29
511 -	LM208N	DIP-8 Single Bipolar OpAmp	1.36
511 -	LM211D	SO-8 Single Bipol Volt Comp	0.53
511 -	LM211N	DIP-8 Single Bipol Volt Comp	0.53
513 -	NJU211D	DIP-16 Quad Ana Switch	1.22
513 -	NJU211M	DMP-16 Quad Ana Switch	1.28
595 -	SG211Y	DIP-8 Voltage Comp	4.95
511 -	LM217K	TO-3 1.5A Adj V Reg	2.76
511 -	LM217LD	SO-8 1.2V to 37V +Adj VReg	0.41
511 -	LM217LZ	TO-92 1.2V to 37V +Adj VReg	0.37
511 -	LM217T	TO-220 1.2V to 37V +Adj VR	0.85
511 -	LM219D	SO-14 Dual Bipol Volt Com	1.31
511 -	LM219N	DIP-14 Dual Bipol Volt Com	1.31
511 -	LM224AD	SO-14 Quad Bipolar Op Amp	1.54
511 -	LM224D	SO-14 Quad Bipolar Op Amp	0.48
511 -	LM224N	DIP-14 Quad Op Amp	0.48

MOUSER NO.		Description	Price Each
Mfr.	Industry No.		1-99
Linear Series (cont.)			
570 -	CA224E	DIP-14 GP Quad Op Amp	1.48
511 -	LM234Z	TO-92 Adj Current Source	1.04
511 -	LM235Z	TO-92 Prec Temp Sensor	1.04
511 -	LM236Z	SO-8 2.5V Volt Reference	1.17
511 -	LM236ZD	TO-92 2.5V Volt Reference	1.14
511 -	LM237K	TO-3 1.5A -Adj V Reg	4.04
511 -	LM238K	TO-3 5A +Adj V Reg	7.15
511 -	LM239D	SO-14 Quad Volt Comp	0.48
511 -	LM239N	DIP-14 Quad Volt Comp	0.48
570 -	CA239E	DIP-14 Quad V-Comp	1.48
511 -	LM246D	SO-16 Quad Bipol Op Amp	2.81
511 -	LM246N	DIP-16 Quad Bipol Op Amp	2.60
511 -	LM248D	SO-14 Quad Bipol Op Amp	0.81
511 -	LM248N	DIP-14 Quad Op Amp	0.81
511 -	LM258D	SO-8 Dual Bipolar Op Amp	0.48
511 -	LM258N	DIP-8 Dual Op Amp	0.48
511 -	TS271ACD	SO-8 Single CMOS Op Amp	0.92
511 -	TS271ACN	DIP-8 Single CMOS Op Amp	0.92
511 -	TS271AID	SO-8 Single CMOS Op Amp	1.08
511 -	TS271AIN	DIP-8 Single CMOS Op Amp	1.08
511 -	TS271ICD	SO-8 Single CMOS Op Amp	0.58
511 -	TS271ICN	DIP-8 Single CMOS Op Amp	0.58
511 -	TS271ID	SO-8 Single CMOS Op Amp	0.74
511 -	TS271IN	DIP-8 Single CMOS Op Amp	0.74
511 -	LT272	DIP-16 Dual Power Op Amp	1.96
511 -	TS272ACD	SO-8 Dual CMOS Op Amp	1.54
511 -	TS272ACN	DIP-8 Dual CMOS Op Amp	1.54
511 -	TS272AID	SO-8 Dual CMOS Op Amp	1.86
511 -	TS272AID	DIP-8 Dual CMOS Op Amp	1.86
511 -	TS272AIN	DIP-8 Dual CMOS Op Amp	0.83
511 -	TS272CD	SO-8 Dual CMOS Op Amp	0.83
511 -	TS272CN	DIP-8 Dual Op Amp	0.83
511 -	TS272ID	SO-8 Dual CMOS Op Amp	1.06
511 -	TS272IN	DIP-8 Dual CMOS Op Amp	1.06
511 -	TS274ACD	SO-14 Quad CMOS Op Amp	1.93
511 -	TS274ACN	DIP-14 Quad CMOS OpAmp	1.93
511 -	TS274AID	SO-14 Quad CMOS Op Amp	2.44
511 -	TS274AID	DIP-14 Quad CMOS Op Amp	2.44
511 -	TS274AIN	SO-14 Quad CMOS Op Amp	0.99
511 -	TS274CN	DIP-14 Quad Op Amp	0.99
511 -	TS274ID	SO-14 Quad CMOS Op Amp	1.27
511 -	TS274IN	DIP-14 Quad CMOS Op Amp	1.27
511 -	TS27L2ACD	SO-8 Dual CMOS Op Amp	1.56
511 -	TS27L2ACN	DIP-8 Dual CMOS Op Amp	1.59
511 -	TS27L2AID	SO-8 Dual CMOS Op Amp	1.84
511 -	TS27L2AID	DIP-8 Dual CMOS Op Amp	1.84
511 -	TS27L2AIN	DIP-8 Dual CMOS Op Amp	0.83
511 -	TS27L2CD	SO-8 Dual CMOS Op Amp	0.83
511 -	TS27L2CN	DIP-8 Dual Op Amp	0.83
511 -	TS27L2ID	SO-8 Dual CMOS Op Amp	1.06
511 -	TS27L2IN	DIP-8 Dual CMOS Op Amp	1.06
511 -	TS27L4ACD	SO-14 Quad CMOS Op Amp	1.06
511 -	TS27L4ACN	DIP-14 Quad CMOS Op Amp	1.06
511 -	TS27L4AID	SO-14 Quad CMOS Op Amp	1.84
511 -	TS27L4AID	DIP-14 Quad CMOS Op Amp	1.84
511 -	TS27L4AIN	SO-14 Quad CMOS Op Amp	1.04
511 -	TS27L4CN	DIP-14 Quad Op Amp	1.04
511 -	TS27L4ID	SO-14 Quad CMOS OpAmp	1.29
511 -	TS27L4IN	DIP-14 Quad CMOS Op Amp	1.29
511 -	TS27M2ACD	SO-8 Dual CMOS Op Amp	1.56
511 -	TS27M2ACN	DIP-8 Dual CMOS Op Amp	1.54
511 -	TS27M2AID	SO-8 Dual CMOS Op Amp	1.93
511 -	TS27M2AID	DIP-8 Dual CMOS Op Amp	1.93
511 -	TS27M2CD	SO-8 Dual CMOS Op Amp	0.83
511 -	TS27M2CN	DIP-8 Dual CMOS Op Amp	0.83
511 -	TS27M2ID	SO-8 Dual CMOS Op Amp	1.06
511 -	TS27M2IN	DIP-8 Dual CMOS Op Amp	1.06
511 -	TS27M4ACD	SO-14 Quad CMOS Op Amp	1.96
511 -	TS27M4ACN	DIP-14 Quad CMOS Op Amp	1.96
511 -	TS27M4AID	SO-14 Quad CMOS Op Amp	2.44
511 -	TS27M4AIN	DIP-14 Quad CMOS Op Amp	2.44
511 -	TS27M4CN	SO-14 Quad CMOS Op Amp	1.04
511 -	TS27M4ID	SO-14 Quad CMOS Op Amp	1.27
511 -	TS27M4IN	DIP-14 Quad CMOS Op Amp	1.27
511 -	L292	Multi Switch-Mode Driver	8.05
511 -	L293E	DIP-20 P/P 4-Channel Drvr	2.53
511 -	LM293D	SO-8 Dual Bipolar Volt Com	0.48
511 -	LM293N	DIP-8 Dual Bipolar Volt Com	0.48
511 -	L294	Multi Switch-Mode Driver	4.83
511 -	L296	SIP-15 4 Amp Sw Reg	4.83
511 -	L297	DIP-20 Step Mtr Cont	5.41
511 -	L298	SIP-15 Dual Brg Drvr	5.31
511 -	TD300ID	SO-14 Triple MOS Driver	1.68
511 -	TD300IN	DIP-14 Triple MOS Driver	1.68
511 -	LM301AD	SO-8 Single Op Amp	0.48
511 -	LM301AN	DIP-8 Single Op Amp	0.48
511 -	LM308D	SO-8 Single Op Amp	0.90
511 -	TD310ID	SO-16 Triple MOS Driver	1.96

MOUSER NO.		Description	Price Each
Mfr.	Industry No.		1-99
Linear Series (cont.)			
511 -	LM311D	SO-8 Single Volt Comp	0.30
511 -	LM311N	DIP-8 Single Volt Comp	0.30
513 -	NJM311D	DIP-8 Precision Comparator	0.36
513 -	NJM311E	SO-8 Precision Comparator	0.38
511 -	LM317K	TO-3 1.5A Adj V Reg	1.93
511 -	LM317LD	SO-8 Adj 0.1A Voltage Reg	0.35
511 -	LM317LZ	TO-92 Adj 0.1A Voltage Reg	0.32
511 -	LM317MDT	TO-252 Adj 0.5A V Reg	0.74
511 -	LM317T	TO-220 1.5A 12V -V Reg	0.64
513 -	NJM317F	TO-220F +Adj V Reg	0.63
595 -	SG317AK	TO-3 1.5A Adj V Reg	6.75
513 -	NJM318D	DIP-8 High Speed Op Amp	0.45
513 -	NJM318E	SO-8 High Speed Op Amp	0.50
511 -	LM319D	SO-14 Dual Bipol Volt Comp	0.90
511 -	LM319N	DIP-14 Dual Comp	0.90
511 -	NJM319D	DIP-14 Dual Comparator	0.50
513 -	NJM319E	SO-14 Dual Comparator	0.59
595 -	SG320-05R	TO-66 1.5A 5V -V Reg	11.45
595 -	SG320-12R	TO-66 1.5A 12V -V Reg	11.45
511 -	LM323K	TO-3 3A 5V Fixed Reg	3.68
595 -	KIA324P	DIP-14 Quad Op Amp	0.41
595 -	KIA324F	SO-14 Quad Op Amp	0.41
511 -	LM324AD	SO-14 Quad Op Amp	0.44
511 -	LM324AN	DIP-14 Quad Op Amp	0.44
511 -	LM324D	SO-14 Quad Op Amp	0.30
511 -	LM324N	DIP-14 Quad Op Amp	0.35
513 -	NJM324D	DIP-14 Quad Op Amp	0.36
513 -	NJM324E	SO-14 Quad Op Amp	0.41
570 -	LM324N	DIP-14 Quad Op Amp	0.80
570 -	CA324E	DIP-14 Quad Op Amp	0.83
592 -	BA1032A	DIP-14 Quad Op Amp	0.50
592 -	BA10324A	DIP-14 Quad Op Amp	0.48
592 -	BA10324AF	SO-14 Quad Op Amp	0.48
511 -	LM334D	SO-8 Adj Current Source	0.87
511 -	LM334Z	TO-92 Adj Current Source	0.87
511 -	LM335AD	SO-8 Prec Temp Sensor	1.47
511 -	LM335AZ	TO-92 Prec Temp Sensor	

Manufacturer	Prefix
EXL Semiconductor	333
Harris Semiconductor	570
NJR (JRC)	513



Linear IC's

358 to 3089



Manufacturer	Prefix
Rohm	592
SGS Thomson	511

Surface Mount Device

For quantities greater than listed call for quote

MOUSER NO.		Description	Price Each
Mfr.	Industry No.		
Linear Series			
◆	511 - LM358AD	SO-8 Dual Op Amp	0.44
◆	511 - LM358AN	DIP-8 Dual Op Amp	0.44
◆	511 - LM358D	SO-8 Dual Op Amp	0.35
◆	511 - LM358N	DIP-8 Dual Op Amp	0.35
◆	513 - NJM358D	DIP-8 Dual Op Amp	0.34
◆	513 - NJM358E	SO-8 Dual Op Amp	0.36
◆	570 - CA358AE	DIP-8 Dual Op Amp	1.34
◆	570 - LM358N	DIP-8 Dual Op Amp	0.70
◆	592 - BA10358	DIP-8 Low Pwr Dual OpAmp	0.48
◆	592 - BA10358F	SO-8 Low Pwr Dual OpAmp	0.34
◆	592 - BA10358N	SO-8 Dual Op Amp	0.39
◆	513 - NJM360D	DIP-8 High Speed Comp	0.32
◆	513 - NJM360E	SO-8 High Speed Comp	0.36
◆	511 - TS372CD	SO-8 Dual CMOS V Comp	0.64
◆	511 - TS372CN	DIP-8 Dual Comparator	0.64
◆	511 - TS372ID	SO-8 Dual CMOS V Comp	0.81
◆	511 - TS372IN	DIP-8 Dual CMOS V Comp	0.81
◆	511 - TS374CD	SO-14 Quad CMOS V Com	0.90
◆	511 - TS374CN	DIP-14 Quad Comparator	0.90
◆	511 - TS374ID	SO-14 Quad CMOS V Com	1.17
◆	511 - TS374IN	DIP-14 Quad CMOS V Com	1.17
◆	513 - NJM386D	DIP-8 Audio Pwr Amp	0.34
◆	513 - NJM386E	SO-8 Audio Pwr Amp	0.38
◆	333 - KIA393F	SO-8 Dual Voltage Comp	0.31
◆	333 - KIA393P	DIP-8 Dual Voltage Comp	0.31
◆	511 - LM393D	SO-8 Dual Voltage Comp	0.35
◆	511 - LM393N	DIP-8 Dual Voltage Comp	0.35
◆	511 - TS393CD	SO-8 Dual CMOS V Com	0.67
◆	511 - TS393CN	DIP-8 Dual CMOS V Com	0.67
◆	511 - TS393ID	SO-8 Dual CMOS V Comp	0.85
◆	511 - TS393IN	DIP-8 Dual CMOS V Comp	0.85
◆	592 - BA10393	DIP-8 Dual Comparator	0.31
◆	592 - BA10393F	SO-8 Dual Volt Comparator	0.31
◆	592 - BA10393N	SIP-8 Dual Volt Comparator	0.34
◆	511 - LS404CD	SO-14 Quad Bipolar OpAmp	1.79
◆	511 - LS404CN	DIP-14 Quad Bipolar OpAmp	1.79
◆	511 - LS404ID	SO-14 Quad Bipolar OpAmp	1.96
◆	511 - TL431ACD	SO-8 Shunt V Reference	0.35
◆	511 - TL431ACZ	TO-92 Shunt V Reference	0.32
◆	511 - TL431AID	SO-8 Shunt V Reference	0.39
◆	511 - TL431AIZ	TO-92 Shunt V Reference	0.35
◆	511 - TL431CD	SO-8 Shunt V Reference	0.30
◆	511 - TL431CZ	TO-92 Shunt V Reference	0.28
◆	511 - TL431ID	SO-8 Shunt V Reference	0.35
511 - TL431IZ	TO-92 Shunt V Reference	0.32	
◆	513 - NJM431D	DIP-8 Adj Precision Reg	0.32
◆	513 - NJM431E	SO-8 Adj Precision Reg	0.36
◆	513 - NJM431L	TO-92 Adj Precision Reg	0.34
◆	595 - SG508H	DIP-14 Quad NAND Dvr	15.75
◆	333 - KIA555F	SO-8 Single Timer	0.25
◆	333 - KIA555P	DIP-8 Single Timer	0.25
◆	511 - NE555D	SO-8 Single Timer	0.32
◆	511 - NE555N	DIP-8 Single Timer	0.32
◆	511 - TS555CD	SO-8 Single CMOS Timer	0.46
◆	511 - TS555CN	DIP-8 Single CMOS Timer	0.46
◆	511 - TS555ID	SO-8 Single CMOS Timer	0.58
◆	511 - TS555IN	DIP-8 Single CMOS Timer	0.58
◆	511 - TS555ID	SO-8 3V Sing CMOS Timer	0.39
◆	511 - TS3V555IN	DIP-8 3V Sing CMOS Time	0.39
◆	513 - NJM555D	DIP-8 Single Timer	0.34
◆	513 - NJM555E	SO-8 Single Timer	0.34
◆	570 - CA555CE	DIP-8 Time Delay/Osc	0.62
◆	570 - LM555CN	DIP-8 Time Delay/Osc	0.62
◆	333 - KIA556P	DIP-14 Dual Timer	0.32
◆	511 - NE556	DIP-14 Dual Timer	0.32
◆	511 - NE556D	SO-14 Dual Timer	0.41
◆	511 - TS556CD	SO-14 Dual CMOS Timer	0.62
◆	511 - TS556CN	DIP-14 Dual CMOS Timer	0.62
◆	511 - TS556ID	SO-14 Dual CMOS Timer	0.74
◆	511 - TS556IN	DIP-14 Dual CMOS Timer	0.74
◆	511 - TS3V556ID	SO-14 3V Dual CMOS Timer	0.58
◆	511 - TS3V556IN	DIP-14 3V Dual CMOS Time	0.58
◆	513 - NJM566D	DIP-14 Dual Timer	0.59
◆	513 - NJM566M	DMP-14 Dual Timer	0.59
◆	333 - KIA574	TO-92M Voltage Stabilizer	0.40
◆	595 - SM602R	TO-62 5A 100V Sw Reg	0.90
◆	511 - L603C	DIP-16 Darlington Array	1.79
◆	595 - SM610	TO-66 5A 60V Sw Reg	8.80
◆	595 - SM645K	TO-3 15A 60V Sw Reg	10.95
◆	511 - L702B	DIP-16 Quad Darlington	3.04
◆	511 - LM723CH	TO-100 .15A Adj V Reg	1.04
◆	511 - LM723CN	DIP-14 .15A Adj V Reg	0.37
◆	570 - CA723CE	DIP-14 .15A Adj V Reg	0.49
◆	570 - CA723CT	TO-5 .15A Adj V Reg	1.59
◆	570 - LM723CH	TO-5 .15A Adj V Reg	1.80
◆	570 - LM723CN	DIP-14 .15A Adj V Reg	0.49
◆	570 - LM723H	TO-5 .15A Adj V Reg	1.86

For quantities greater than listed call for quote

MOUSER NO.		Description	Price Each
Mfr.	Industry No.		
Linear Series (cont.)			
◆	511 - UA741CD	SO-8 Single Op Amp	0.35
◆	511 - UA741CN	DIP-8 Single Op Amp	0.35
◆	511 - UA741ID	SO-8 Single Bipolar Op Am	0.41
◆	511 - UA741IN	DIP-8 Single Bipolar Op Am	0.41
◆	513 - NJM741D	DIP-8 Single Op Amp	0.32
◆	513 - NJM741E	SO-8 Single Op Amp	0.36
◆	570 - CA741CE	DIP-8 Single Op Amp	0.51
◆	570 - CA741CT	TO-5 Single Op Amp	1.86
◆	570 - LM741CH	TO-5 Single Op Amp	1.86
◆	570 - LM741CN	DIP-8 Single Op Amp	0.51
◆	570 - LM741H	TO-5 Single Op Amp	2.11
◆	570 - LM741N	DIP-8 Single Op Amp	0.66
◆	592 - BA14741	DIP-14 Quad Op Amp	0.73
◆	592 - BA14741F	SO-14 Quad Op Amp	0.73
◆	511 - UA748CD	SO-8 Single Bipolar OpAmp	0.55
◆	511 - UA748CN	DIP-8 Single Bipolar OpAmp	0.55
◆	511 - UA776CD	SO-8 Single Bipolar OpAmp	0.76
◆	511 - UA776CN	DIP-8 Single Bipolar OpAmp	0.76
◆	511 - UA776ID	SO-8 Single Bipolar OpAmp	0.92
◆	511 - UA776IN	DIP-8 Single Bipolar OpAmp	1.27
◆	511 - LM833D	SO-8 Dual Bipolar Op Amp	0.62
◆	511 - LM833N	DIP-8 Dual Bipolar Op Amp	0.62
◆	511 - TS902ID	SO-14 Dual CMOS Op Amp	1.47
◆	511 - TS3V902ID	SO-14 3V Dual Op Amp	1.15
◆	511 - TS3V902IN	DIP-14 3V Dual Op Amp	1.15
◆	511 - TS904ID	SO-16 Quad Op Amp	1.77
◆	511 - TS904IN	DIP-16 Quad Op Amp	1.77
◆	511 - TS3V904ID	SO-16 3V Quad Op Amp	1.56
◆	511 - TS3V904IN	DIP-16 3V Quad Op Amp	1.56
◆	511 - TS912IN	DIP-8 Dual CMOS Op Amp	1.22
◆	511 - TS3V912IN	DIP-8 3V Dual Op Amp	1.08
◆	511 - TS914ID	SO-14 Quad Op Amp	1.66
◆	511 - TS914IN	DIP-14 Quad Op Amp	1.66
◆	511 - TS3V914ID	SO-14 3V Quad Op Amp	1.63
◆	511 - TS3V914IN	DIP-14 3V Quad Op Amp	1.63
◆	511 - TEB1033D	SO-8 Dual Op Amp	1.08
◆	511 - TEB1033N	DIP-8 Dual Op Amp	1.08
◆	511 - LD1117DT25C	TO-252 + V Reg 0.8A 2.5V	0.83
◆	511 - LD1117DT285C	TO-252 + V Reg 0.8A 2.85V	0.83
◆	511 - LD1117DT30C	TO-252 + V Reg 0.8A 3.0V	0.83
◆	511 - LD1117DT33C	TO-252 + V Reg 0.8A 3.3V	0.83
◆	511 - LD1117DT50C	TO-252 + V Reg 0.8A 5.0V	0.83
◆	511 - LD1117V25C	TO-220 + V Reg 0.8A 2.5V	0.83
◆	511 - LD1117V285C	TO-220 + V Reg 0.8A 2.85V	0.83
◆	511 - LD1117V30C	TO-220 + V Reg 0.8A 3.0V	0.83
◆	511 - LD1117V33C	TO-220 + V Reg 0.8A 3.3V	0.83
◆	511 - LD1117V50C	TO-220 + V Reg 0.8A 5.0V	0.83
◆	511 - TDA1175P	DIP-16 Low Noise Vert Defl	2.53
◆	595 - SG1402T	TO-100 Quad Multi	6.65
◆	511 - MC1403D	SO-8 2.5V Precision Ref	1.73
◆	511 - MC1403N	DIP-8 2.5V Precision Ref	1.73
◆	511 - MC1458D	SO-8 Dual Op Amp	0.30
◆	511 - MC1458ID	SO-8 Dual Bipolar Op Amp	0.41
◆	511 - MC1458IN	DIP-8 Dual Bipolar Op Amp	0.41
◆	511 - MC1458N	DIP-8 Dual Op Amp	0.30
◆	513 - NJM1458D	DIP-8 Dual Op Amp	0.36
◆	513 - NJM1458E	DMP-8 Dual Op Amp	0.36
◆	570 - CA1458E	DIP-8 Dual Op Amp	0.57
◆	570 - LM1458N	DIP-8 Dual Op Amp	0.57
◆	511 - MC1488D	SO-14 RS232 Quad Driver	0.37
◆	511 - MC1488P	DIP-14 RS232 Quad Driver	0.37
◆	511 - MC1489AP	DIP-14 Quad Line Rcvr	0.37
◆	511 - MC1489P	SO-14 Quad Line Rcvr	0.37
◆	511 - MC1489P	DIP-14 Quad Line Rcvr	0.37
◆	570 - CA1558E	DIP-8 Dual Op Amp	1.20
◆	570 - CA1558T	TO-5 Dual Op Amp	2.11
◆	511 - TDA1675A	TV Vert Defl Circuit	3.45
◆	511 - TDA1910	10W 8 Ohm Audio Amp	3.45
◆	511 - ULN2001A	DIP-16 NPN Dar Array	0.41
◆	511 - ULN2001D1	SO-16 NPN Dar Array	0.41
◆	511 - ULQ2001R	DIP-16 NPN Dar Array	0.94
◆	511 - SG2001N	DIP-16 NPN Dar Array	0.99
◆	511 - TDA2002H	Pentawatt 8W 14V Aud Am	2.07
◆	511 - TDA2002V	Pentawatt 8W 14V Aud Am	1.96
◆	511 - ULN2002A	DIP-16 NPN Dar Array	0.41
◆	511 - ULN2002D1	SO-16 NPN Dar Array	0.41
◆	511 - ULQ2002R	DIP-16 NPN Dar Array	0.94
◆	511 - ULN2003A	DIP-16 NPN Dar Array	0.41
◆	511 - ULN2003D1	SO-16 NPN Dar Array	0.41
◆	511 - TDA2003H	Pentawatt 10W 14V Aud Am	2.14
◆	511 - TDA2003V	Pentawatt 10W 14V Aud Am	2.07
◆	511 - ULN2004A	DIP-16 NPN Dar Array	0.41
◆	511 - ULN2004D1	SO-16 NPN Dar Array	0.41
◆	511 - TEA2025B	DIP-16 2x23W Audio Amp	1.36
◆	511 - TDA2040V	Pentawatt 20W 32V Aud Am	3.11
◆	511 - ULN2064B	DIP-16 Quad 1.5A Dar	1.27
◆	511 - ULN2065B	DIP-16 Quad 1.5A Dar	1.27

For quantities greater than listed call for quote

MOUSER NO.		Description	Price Each
Mfr.	Industry No.		
Linear Series (cont.)			
◆	511 - ULN2066B	DIP-16 Quad 1.5A Dar	1.27
◆	511 - ULN2067B	DIP-16 Quad 1.5A Dar	1.27
◆	511 - ULN2068B	DIP-16 Quad 1.5A Dar	1.27
◆	513 - NJM2068N	DIP-8 Dual Op Amp	0.95
◆	511 - ULN2069B	DIP-16 Quad 1.5A Dar	1.27
◆	511 - ULN2070B	DIP-16 Quad 1.5A Dar	1.27
◆	511 - ULN2071B	DIP-16 Quad 1.5A Dar	1.27
◆	511 - ULN2074B	DIP-16 Quad 1.5A Dar	1.27
◆	595 - SG2074W	DIP-16 Quad 1.5A Dar	2.25
◆	511 - ULN2075B	DIP-16 Quad 1.5A Dar	1.27
◆	511 - ULN2076B	DIP-16 Quad 1.5A Dar	1.27
◆	511 - ULN2077B	DIP-16 Quad 1.5A Dar	1.27
◆	570 - CA2111AE	DIP-14 FM/IF Amp Lmtr	2.20
◆	513 - NJM2111D	DIP-14 FSK Demod/Decodr	1.19
◆	513 - NJM2111M	SO-14 FSK Demod/Decodr	1.19
◆	595 - SG2503M	DIP-8 Prec 2.5V Ref	4.50
◆	595 - SG2503Y	DIP-8 Prec 2.5V Ref	5.75
◆	511 - SG2524N	DIP-16 Regulated PWM	0.81
◆	511 - SG2524P	SO-16 Regulated PWM	0.81
◆	511 - SG2525AN	DIP-16 Regulated PWM	0.81
◆	511 - SG2525AP	SO-16 Regulated PWM	0.81
◆	511 - SG2527AN	DIP-16 Regulated PWM	0.94
◆	595 - SG2527AN	DIP-16 Regulated PWM	7.20
◆	595 - SG2543DW	SO-16 Power Sup Supvr	7.85
◆	595 - SG2549M	DIP-8 Current Sense Latch	5.05
◆	511 - TDA2593D	DIP-16 TV Horz Defl Ckt	2.12
◆	595 - SG2627J	DIP-14 Hi-Current Dvr	5.75
◆	511 - ULN2801A	DIP-18 NPN Dar Array	0.62
◆	511 - ULN2802A	DIP-18 NPN Dar Array	0.62
◆	511 - ULN2803A	DIP-18 NPN Dar Array	0.62
◆	511 - ULN2804A	DIP-18 NPN Dar Array	0.62
◆	511 - ULN2805A	DIP-18 NPN Dar Array	0.62
◆	511 - UC2842D	SO-14 Current Mode PWM	0.81
◆	511 - UC2842N	DIP-8 Current Mode	

Manufacturer	Prefix
EXL Semiconductor	333
Harris Semiconductor	570
NEC	551
NJR (JRC)	513



Linear IC's

3096 to 78M12

Manufacturer	Prefix
Rohm	592
SGS Thomson	511

◆ Surface Mount Device

For quantities greater than listed call for quote

For quantities greater than listed call for quote

For quantities greater than listed call for quote

MOUSER NO.		Description	Price Each
Mfr.	Industry No.		
Linear Series			
570	CA3096CE	DIP-16 NPN/PNP Tran Ary	1.39
570	CA3096E	DIP-16 NPN/PNP Tran Ary	2.75
570	CA3098E	DIP-8 Prog Schmitt Trig	2.32
570	CA3130AT	TO-5 BIMOS Op Amp	3.07
570	CA3130E	DIP-8 BIMOS Op Amp	1.25
570	CA3130S	TO-5 BIMOS Op Amp	2.27
570	CA3135E	Luminance Processor	5.92
570	CA3139E	TV Fine Tuning	6.77
570	CA3140AE	DIP-8 BIMOS Op Amp	0.98
570	CA3140AT	TO-5 BIMOS Op Amp	3.50
570	CA3160S	TO-5 BIMOS Op Amp	2.11
570	CA3160T	TO-5 BIMOS Op Amp	1.98
570	CA3161E	DIP-16 Decoder/Driver	1.87
570	CA3162E	DIP-16 A/D Converter	7.39
570	CA3165E	DIP-8 Elec Switch Circ	3.52
570	CA3170E	TV Chroma System	6.44
570	CA3172E	TV Chroma Demod	6.03
570	CA3183AE	DIP-16 NPN Tran Array	1.86
595	SG3183N	NPN Transistor Array	1.55
570	CA3194E	DIP-24PAL Lum/Chroma Pro	12.23
570	CA3207E	DIP-22 BIMOS Sequen Drvr	9.65
570	CA3208E	DIP-22 BIMOS Latch Drvr	9.10
570	CA3223E	DIP-24 Horiz/Vert Cntdn Sys	7.77
570	CA3227E	DIP-16 Hi-Freq Array	3.82
570	CA3240AE	DIP-8 BIMOS Op Amp	2.25
570	CA3240AE1	DIP-14 BIMOS Op Amp	3.61
570	CA3240E	DIP-8 BIMOS Op Amp	1.54
570	CA3240E1	DIP-14 BIMOS Op Amp	2.23
570	CA3246E	DIP-14 Hi-Freq Array	2.96
570	CA3253E	DIP-24 Video Processor	9.17
570	CA3255E	DIP-24 Sync Gen 50Hz	13.33
570	CA3260E	DIP-8 Dual BIMOS Amp	1.98
570	CA3260S	TO-5 BIMOS OpAmp Di-Cn	3.09
570	CA3260T	TO-5 BIMOS Op Amp	2.96
570	CA3262E	DIP-16 Quad-Gt Invrt Drvr	3.48
570	CA3290AE	DIP-14 Dual Voltage Comp	1.25
570	LM3302N	DIP-14 Quad Voltage Comp	0.82
511	MC3302N	DIP-14 Quad Voltage Comp	0.37
511	MC3303D	SO-14 Quad Bipolar OpAmp	0.74
511	MC3303N	DIP-14 Dual Bipolar OpAmp	0.74
511	MC33078D	SO-8 Dual Bipolar Op Amp	0.74
511	MC33078N	DIP-8 Dual Bipolar Op Amp	0.74
511	MC33079D	SO-14 Quad Bipolar OpAmp	1.01
511	MC33079N	DIP-14 Quad Bipolar OpAmp	1.01
570	CA3310E	DIP-24 10 Bit A/D Cnvr	14.43
511	MC33171D	SO-8 Single Bipolar OpAmp	0.67
511	MC33171N	DIP-8 Single Bipolar OpAmp	0.67
511	MC33172D	SO-8 Single Bipolar OpAmp	0.97
511	MC33172N	DIP-8 Single Bipolar OpAmp	0.97
511	MC33174D	SO-14 Quad Bipolar OpAmp	1.27
511	MC33174N	DIP-14 Quad Bipolar OpAmp	1.27
511	MC34001N	DIP-8 Single JFET Op Amp	0.55
511	MC34002D	SO-8 Dual JFET Op Amp	0.58
511	MC34002N	DIP-8 Dual JFET Op Amp	0.58
511	MC34004N	DIP-14 Quad JFET Op Amp	0.83
595	SG3402T	Quad Multiplier	2.90
511	MC3403D	SO-14 Quad Bipolar OpAmp	0.60
511	MC3403N	DIP-14 Quad Bipolar Op Am	0.60
513	NJM3403AD	DIP-14 Single Op Amp	0.72
513	NJM3403AM	DMP-14 Single Op Amp	0.72
570	CA3450E	DIP-16 Hi-Spd Op Amp Drv	5.53
595	SG3502N	Adj Dual Pol Reg	5.30
595	SG3509N	Air Fault Detector	7.65
511	SG3524N	DIP-16 Regulating PWM	0.71
511	SG3524P	SO-16 Regulating PWM	0.71
570	CA3524E	DIP-16 Reg Pulse Mode	0.87
511	SG3525AN	DIP-16 Regulating PWM	0.71
511	SG3525AP	SO-16 Regulating PWM	0.71
511	SG3527AN	DIP-16 Regulating PWM	0.87
511	SG3527AP	SO-16 Regulating PWM	0.87
595	SG3540M	DIP-8 Off-Line Controller	2.25
595	SG3548N	DIP-16 Quad Power Mos	4.50
595	SG3626R	TO-66 Hi-Speed Mos Drv	6.55
595	SG3626T	TO-99 Hi-Speed Mos Drv	3.40
511	TS3702CD	SO-8 Dual CMOS Comp	0.67
511	TS3702CN	DIP-8 Dual CMOS Comp	0.67
511	TS3702ID	SO-8 Dual CMOS Comp	0.85
511	TS3702IN	DIP-8 Dual CMOS Comp	0.85
511	TS3704CD	SO-14 Quad CMOS Comp	0.99
511	TS3704CN	DIP-14 Quad CMOS Comp	0.99
511	TS3704ID	SO-14 Quad CMOS Comp	1.17
511	TS3704IN	DIP-14 Quad CMOS Comp	1.17
511	TS3V3704IN	DIP-14 3V Quad Volt Comp	0.74
511	PBL3717A	DIP-16 Stepper Motor Drvr	2.02
511	TEA3718DP	DIP-16 Stepper Motor Drvr	4.03
511	UC3842D	SO-14 Current Mode PWM	0.74
511	UC3842N	DIP-8 Current Mode PWM	0.74

MOUSER NO.		Description	Price Each
Mfr.	Industry No.		
Linear Series (cont.)			
511	UC3843D	SO-14 Current Mode PWM	0.74
511	UC3843N	DIP-8 Current Mode PWM	0.74
511	UC3844D	SO-14 Current Mode PWM	0.74
511	UC3844N	DIP-8 Current Mode PWM	0.74
511	UC3845D	SO-14 Current Mode PWM	0.74
511	UC3845N	DIP-8 Current Mode PWM	0.74
511	TEB4033D	SO-14 Quad Op Amp	2.25
511	TEB4033N	DIP-14 Quad Op Amp	2.25
511	TEF4033D	SO-14 Quad Op Amp	4.25
513	NJM4250D	DIP-8 Prog Op Amp	0.54
513	NJM4250E	SO-8 Prog Op Amp	0.59
333	KIA4558F	SO-8 Dual Op Amp	0.31
333	KIA4558P	DIP-8 Dual Op Amp	0.31
511	MC4558CD	SO-8 Dual Bipolar Op Amp	0.44
511	MC4558CN	DIP-8 Dual Bipolar Op Amp	0.44
511	MC4558D	SO-8 Dual Bipolar Op Amp	1.10
513	NJM4558D	DIP-8 Dual Op Amp	0.27
513	NJM4558E	SO-8 Dual Op Amp	0.32
592	BA4558	DIP-8 Dual Op Amp	0.31
592	BA4558F	SO-8 Dual Op Amp	0.31
333	KIA4559P	DIP-8 Low Pwr Op Amp	0.52
513	NJM4559D	DIP-8 Low Pwr Op Amp	0.52
513	NJM4560D	DIP-8 Wide Bndwidth Op Am	0.34
513	NJM4560E	SO-8 Wide Bndwidth Op Am	0.36
592	BA4560	DIP-8 Hi-Slew Rte Op Amp	0.31
513	NJM4562D	DIP-8 Dual Op Amp	0.62
511	L4805CV	TO-220 5V Low Drop 0.4A	1.79
511	L4810CV	TO-220 10V Low Drop 0.4A	1.79
511	L4812CV	TO-220 12V Low Drop 0.4A	1.79
511	L4940V5	TO-220 5V Low Drop 1.5A	1.75
511	L4940V10	TO-220 10V Low Drop 1.5A	1.75
511	L4940V12	TO-220 12V Low Drop 1.5A	1.75
511	L4940V85	TO-220 8.5V Low Drop 1.5A	1.75
511	L4941BDT	TO-252 5V Low Drop 1.0A	1.68
511	L4941BV	TO-220 5V Low Drop 1.0A	1.54
511	L4945	TO-220 5V Low Drop 0.5A	2.39
511	L4947	Pentawatt 5V Low Drp 0.5A	2.99
513	NJM5532D	DIP-8 Dual Op Amp	0.56
513	NJM5532M	DMP-8 Low Noise Op Amp	0.56
513	NJM5534D	DIP-8 Low Noise Op Amp	0.45
513	NJM5534M	DMP-8 Low Noise Op Amp	0.45
333	KIA6003S	SIP-9 Differential Amp	0.87
333	KIA6029Z	ZIP-16 Diff Peak Detector	1.74
333	KIA6035P	DIP-20 AM Tuner Sys	2.26
333	KIA6040P	DIP-16 AM/FM IF Sys	1.43
333	KIA6057P	DIP-16 AM/FM IF Sys	1.50
570	CA6078T	Micropwr Operational Amp	9.00
511	L6203	Multi Full Bridge Driver	12.05
511	L6210	DIP-16 Schottky Diode Arry	2.25
511	L6219	DIP-24 Stepper Motor Drvr	4.03
511	L6220	DIP-16 Quad Darlington Sw	2.12
333	KIA6225P	DIP-8 Dual Preamp	0.68
333	KIA6238P	DIP-16 Single Preamp	1.81
333	KIA6278P	DIP-8 Single Power Amp	0.87
551	UPD6307AGF	Flat-54 128 SEG 20V LCD	5.99
551	UPD6308AGF	Flat-54 40 SEG LCD	5.57
551	UPD6323AC	DIP-28 20 SEG 25V LCD	6.28
551	UPD6951C	DIP-18 6-Bit 20MHz ADC	5.33
513	NJU7001D	DIP-8 Low Pwr Op Amp	0.68
513	NJU7002D	DIP-8 Low Pwr Op Amp	0.95
513	NJU7004D	DIP-14 Low Pwr Op Amp	1.37
513	NJU7021D	DIP-8 Low Pwr Op Amp	0.68
513	NJU7022D	DIP-8 Low Pwr Op Amp	0.95
513	NJU7024D	DIP-14 Low Pwr Op Amp	1.44
513	NJU7031D	DIP-8 Low Pwr Op Amp	0.72
513	NJU7032D	DIP-8 Low Pwr Op Amp	1.04
513	NJU7034D	DIP-14 Low Pwr Op Amp	1.58
513	NJU7201U15	SOT-89 1.5V 100mA V Reg	0.68
513	NJU7201L15	TO-92 1.5V 100mA V Reg	0.45
513	NJU7201U30	SOT-89 3.0V 100mA V Reg	0.68
513	NJU7201L30	TO-92 3.0V 100mA V Reg	0.45
513	NJU7201U50	SOT-89 5.0V 100mA V Reg	0.68
513	NJU7201L50	TO-92 5.0V 100mA V Reg	0.45
513	NJU7211U30	SOT-89 3.0V 100mA V Reg	0.63
513	NJU7211L30	TO-92 3.0V 100mA V Reg	0.45
511	TDA7220	DIP-16 AM-FM Receiver	2.53
511	ST7537HS1CFN	PLCC-28 2400 Baud Modem	10.80
570	CA7611E	DIP-16 Vid IF Amp NPN	1.95
513	NJU7660D	DIP-8 Voltage Converter	0.88
513	NJU7660M	DMP-8 Voltage Converter	0.92
513	NJU7662D	DIP-8 Voltage Converter	1.13
513	NJU7662M	DMP-8 Voltage Converter	1.17
513	NJM78L02A	TO-92 +V Reg 0.1A 2.6V	0.29
513	NJM78L02UA	SOT-89 +V Reg 0.1A 2.6V	0.36
333	ML78L05A	TO-92 +V Reg 150mA 5V	0.28
511	L78L05ABD	SO-8 +V Reg 0.1A 5V	0.46
511	L78L05ABV	TO-92 +V Reg 0.1A 5V	0.32

MOUSER NO.		Description	Price Each
Mfr.	Industry No.		
Linear Series (cont.)			
511	L78L05ACD	SO-8 +V Reg 0.1A 5V	0.30
511	L78L05ACZ	TO-92 +V Reg 0.1A 5V	0.28
511	L78L05CD	SO-8 +V Reg 0.1A 5V	0.28
513	NJM78L05A	TO-92 +V Reg 0.1A 5V	0.29
513	NJM78L05UA	SOT-89 +V Reg 0.1A 5V	0.36
333	78L06BP	TO-92L +V Reg 150mA 6V	0.28
333	78L06PF	SOT-89 +V Reg 150mA 6V	0.36
511	L78L06ACD	SO-8 +V Reg 0.1A 6V	0.30
511	L78L06ACZ	TO-92 +V Reg 0.1A 6V	0.28
511	L78L06CD	SO-8 +V Reg 0.1A 6V	0.28
513	NJM78L06A	TO-92 +V Reg 0.1A 6V	0.29
513	NJM78L06UA	SOT-89 +V Reg 0.1A 6V	0.36
333	ML78L08A	TO-92 +V Reg 0.1A 8V	0.28
333	78L08BP	TO-92 +V Reg 150mA 8V	0.28
511	L78L08ABD	SO-8 +V Reg 0.1A 8V	0.46
511	L78L08ABZ	TO-92 +V Reg 0.1A 8V	0.32
511	L78L08ACD	SO-8 +V Reg 0.1A 8V	0.30
511	L78L08ACZ	TO-92 +V Reg 0.1A 8V	0.28
511	L78L08CD	SO-8 +V Reg 0.1A 8V	0.28
513	NJM78L08A	TO-92 +V Reg 0.1A 8V	0.29
513	NJM78L08UA	SOT-89 +V Reg 0.1A 8V	0.36
333	ML78L09A	TO-92 +V Reg 0.1A 9V	0.28
511	L78L09ACD	SO-8 +V Reg 0.1A 9V	0.30
511	L78L09ACZ	TO-92 +V Reg 0.1A 9V	0.28
511	L78L09CD	SO-8 +V Reg 0.1A 9V	0.28
513	NJM78L09A	TO-92 +V Reg 0.1A 9V	0.29
513	NJM78L09UA	SOT-89 +V Reg 0.1A 9V	0.36
333	ML78L12A	TO-92 +V Reg 0.1A 12V	0.28
333	78L12BP	TO-92L +V Reg 150mA 12V	0.28
333	78L12ZF	SOT-89 +V Reg 150mA 12V	0.36
511	L78L12ABD	SO-8 +V Reg 0.1A 12V	0.46
511	L78L12ABZ	TO-92 +V Reg 0.1A 12V	0.32
511	L78L12ACD	SO-8 +V Reg 0.1A 12V	0.30
511	L78L12ACZ	TO-92 +V Reg 0.1A 12V	

Manufacturer	Prefix
EXL Semiconductor	333
NEC	551
NJR (JRC)	513

Linear IC's

78M12 to 75464



NEC

Manufacturer	Prefix
Rohm	592
SGS Thomson	511

◆ Surface Mount Device

For quantities greater than listed call for quote

For quantities greater than listed call for quote

For quantities greater than listed call for quote

MOUSER NO.		Description	Price Each
Mfr.	Industry No.		
Linear Series (cont.)			
511	L78M12ACDT	TO-252 +V Reg 0.5A 12V	0.64
511	L78M12CDT	TO-252 +V Reg 0.5A12V	0.55
511	L78M12CP	Isowatt220 +VReg 0.5A 12V	0.55
511	L78M12CV	TO-220 +V Reg .5A 12V	0.46
511	L78M12CX	SOT-82 +V Reg .5A 12V	0.37
513	NJM78M12FA	TO-220F +V Reg 0.5A 12V	0.41
511	L78M15ABV	TO-220 +V Reg 0.5A 15V	0.64
511	L78M15CDT	TO-252 +V Reg 0.5A 15V	0.55
511	L78M15CV	TO-220 +V Reg .5A 15V	0.58
513	NJM78M15FA	TO-220F +V Reg 0.5A 15V	0.41
511	L78M18CV	TO-220 +V Reg .5A 18V	0.46
513	NJM78M18FA	TO-220F +V Reg 0.5A 18V	0.41
511	L78M20CV	TO-220 +V Reg .5A 20V	0.46
513	NJM78M20FA	TO-220F +V Reg 0.5A 20V	0.41
511	L78M24CDT	TO-252 +V Reg 0.5A 24V	0.55
511	L78M24CV	TO-220 +V Reg .5A 24V	0.46
513	NJM78M24FA	TO-220F +V Reg 0.5A 24V	0.41
511	L78S05CT	TO-3 +V Reg 2A 5V	1.68
511	L78S05CV	TO-220 +V Reg 2A 5V	0.53
511	L78S09CT	TO-3 +V Reg 2A 9V	1.68
511	L78S09CV	TO-220 +V Reg 2A 9V	0.53
511	L78S10CT	TO-3 +V Reg 2A 10V	1.68
511	L78S10CV	TO-220 +V Reg 2A 10V	0.53
333	78S12P	TO-92 + V Reg 100mA 12V	0.48
511	L78S12CT	TO-3 +V Reg 2A 12V	1.68
511	L78S12CV	TO-220 +V Reg 2A 12V	0.53
333	78S15P	TO-92 + V Reg 100mA 15V	0.48
511	L78S15CT	TO-3 +V Reg 2A 15V	1.68
511	L78S15CV	TO-220 +V Reg 2A 15V	0.53
511	L78S18CT	TO-3 +V Reg 2A 18V	1.84
511	L78S18CV	TO-220 +V Reg 2A 18V	0.67
333	78S20P	TO-92 + V Reg 100mA 20V	0.48
333	78S24P	TO-92 + V Reg 100mA 24V	0.48
511	L78S24CT	TO-3 +V Reg 2A 24V	1.68
511	L78S24CV	TO-220 +V Reg 2A 24V	0.53
511	L78S75CV	TO-220 +V Reg 2A 7.5V	0.55
333	7805PI	TO-220IS +V Reg 1A 5V	0.49
511	L7805ABV	TO-220 +V Reg 1A 5V	0.71
511	L7805ACV	TO-220 +V Reg 1A 5V	0.53
511	L7805CP	Isowatt220 +V Reg 1.5A 5V	0.55
511	L7805CT	TO-3 +V Reg 1A 5V	1.47
511	L7805CV	TO-220 +V Reg 1.5A 5V	0.46
513	NJM7805FA	TO-220F +V Reg 1.5A 5V	0.50
333	7806PI	TO-220IS +V Reg 1A 6V	0.49
511	L7806CP	Isowatt220 +V Reg 1.5A 6V	0.55
511	L7806CV	TO-220 +V Reg 1.5A 6V	0.46
513	NJM7806FA	TO-220F +V Reg 1.5A 6V	0.50
333	7808PI	TO-220IS +V Reg 1A 8V	0.49
511	L7808ABV	TO-220 +V Reg 1A 8V	0.71
511	L7808ACV	TO-220 +V Reg 1A 8V	0.53
511	L7808CP	Isowatt220 +V Reg 1.5A 8V	0.55
511	L7808CT	TO-3 +V Reg 1.5A 8V	1.47
511	L7808CV	TO-220 +V Reg 1.5A 8V	0.46
513	NJM7808FA	TO-220F +V Reg 1.5A 8V	0.50
333	ML7809A	TO-220 +V Reg 1.0A 9V	0.49
333	7809PI	TO-220IS +V Reg 1.0A 9V	0.49
511	L7809ACV	TO-220 +V Reg 1A 9V	0.53
511	L7809CP	TO-220IS +V Reg 1A 9V	0.55
511	L7809CV	TO-220 +V Reg 1A 9V	0.46
513	NJM7809FA	TO-220F +V Reg 1.5A 9V	0.50
333	ML7812A	TO-220 +V Reg 1.0A 12V	0.49
333	7812PI	TO-220IS +V Reg 1A 12V	0.49
511	L7812ABV	TO-220 +V Reg 1A 12V	0.71
511	L7812ACV	TO-220 +V Reg 1A 12V	0.53
511	L7812CP	Isowatt220 +VReg 1.5A 12V	0.55
511	L7812CT	TO-3 +V Reg 1.5A 12V	1.47
511	L7812CV	TO-220 +V Reg 1.5A 12V	0.46
513	NJM7812FA	TO-220F +V Reg 1.5A 12V	0.50
595	SG7812AR	TO-66 +V Reg 12V	19.15
595	SG7812R	TO-66 +V Reg 12V	16.55
333	ML7815A	TO-220 +V Reg 1.0A 15V	0.49
333	7815PI	TO-220IS +V Reg 1A 15V	0.49

MOUSER NO.		Description	Price Each
Mfr.	Industry No.		
Linear Series (cont.)			
511	L7815ABV	TO-220 +V Reg 1A 15V	0.71
511	L7815ACV	TO-220 +V Reg 1A 15V	0.53
511	L7815CP	Isowatt220 +VReg 1.5A 15V	0.55
511	L7815CT	TO-3 +V Reg 1.5A 15V	1.47
511	L7815CV	TO-220 +V Reg 1.5A 15V	0.46
513	NJM7815FA	TO-220F +V Reg 1.5A 15V	0.50
333	ML7818A	TO-220 +V Reg 1.0A 18V	0.49
333	7818PI	TO-220IS +V Reg 1A 18V	0.49
511	L7818ABV	TO-220 +V Reg 1A 18V	0.71
511	L7818ACV	TO-220 +V Reg 1A 18V	0.53
511	L7818CT	TO-3 +V Reg 1.5A 18V	1.47
511	L7818CV	TO-220 +V Reg 1.5A 18V	0.46
513	NJM7818FA	TO-220F +V Reg 1.5A 18V	0.50
595	SG7818AK	TO-3 +V Reg 18V	19.05
595	SG7818CT	TO-39 +V Reg 18V	3.05
333	7820PI	TO-220IS +V Reg 1A 20V	0.50
511	L7820ACV	TO-220 +V Reg 1A 20V	0.53
511	L7820CT	TO-3 +V Reg 1.5A 20V	1.37
511	L7820CV	TO-220 +V Reg 1.5A 20V	0.46
513	NJM7820FA	TO-220F +V Reg 1.5A 20V	0.50
333	ML7824A	TO-220 +V Reg 1.0A 24V	0.49
333	7824PI	TO-220IS +V Reg 1A 24V	0.50
511	L7824ACV	TO-220 +V Reg 1A 24V	0.53
511	L7824CT	TO-3 +V Reg 1.5A 24V	1.47
511	L7824CV	TO-220 +V Reg 1.5A 24V	0.46
513	NJM7824FA	TO-220F +V Reg 1.5A 24V	0.50
595	SG7824AK	TO-3 +V Reg 24V	19.05
595	SG7824AT	TO-3 +V Reg 24V	18.20
595	SG7824CT	TO-39 +V Reg 24V	3.05
595	SG7824K	TO-39 +V Reg 24V	11.05
511	L7885CV	TO-220 +V Reg 1.5A 8.5V	0.46
511	L79L05ACZ	TO-92 -V Reg 0.1mA 5V	0.32
513	NJM79L05A	TO-92 -V Reg 100mA 5V	0.38
513	NJM79L05UA	SOT-89 -V Reg 100mA 5V	0.38
513	NJM79L06A	TO-92 -V Reg 100mA 6V	0.32
513	NJM79L06UA	SOT-89 -V Reg 100mA 6V	0.38
513	NJM79L08A	TO-92 -V Reg 100mA 8V	0.32
513	NJM79L08UA	SOT-89 -V Reg 100mA 8V	0.38
333	ML79L09A	TO-92 -V Reg 0.1A 9V	0.31
513	NJM79L09A	TO-92 -V Reg 100mA 9V	0.32
513	NJM79L09UA	SOT-89 -V Reg 100mA 9V	0.38
511	L79L12ACZ	TO-92 -V Reg 100mA 12V	0.32
513	NJM79L12A	TO-92 -V Reg 100mA 12V	0.32
513	NJM79L12UA	SOT-89 -V Reg 100mA 12V	0.38
333	ML79L15A	TO-92 -V Reg 0.1A 15V	0.31
513	NJM79L15A	TO-92 -V Reg 100mA 15V	0.32
513	NJM79L15UA	SOT-89 -V Reg 100mA 15A	0.38
333	ML79L18A	TO-92 -V Reg 0.1A 18V	0.31
513	NJM79L18A	TO-92 -V Reg 100mA 18V	0.32
513	NJM79L18UA	SOT-89 -V Reg 100mA 18V	0.38
333	ML79L24A	TO-92 -V Reg 0.1A 24V	0.31
513	NJM79L24A	TO-92 -V Reg 100mA 24V	0.32
513	NJM79L24UA	SOT-89 -V Reg 100mA 24V	0.38
513	NJM79M05FA	TO-220F -V Reg 500mA 5V	0.52
513	NJM79M06FA	TO-220F -V Reg 500mA 6V	0.52
513	NJM79M08FA	TO-220F -V Reg 500mA 8V	0.52
513	NJM79M09FA	TO-220F -V Reg 500mA 9V	0.52
513	NJM79M12FA	TO-220F -VReg 500mA 12V	0.52
513	NJM79M15FA	TO-220F -VReg 500mA 15V	0.52
513	NJM79M18FA	TO-220F -VReg 500mA 18V	0.52
513	NJM79M24FA	TO-220F -VReg 500mA 24V	0.52
511	L7905ACV	TO-220 -V Reg 1.5A 5V	0.53
333	ML7905A	TO-220 -V Reg 1.0A 5V	0.53
511	L7905CP	Isowatt220 -V Reg 1.5A 5V	0.60
511	L7905CT	TO-3 -V Reg 1.5A 5V	1.66
511	L7905CV	TO-220 -V Reg 1.5A 5V	0.53
513	NJM7905FA	TO-220F -V Reg 1.5A 5V	0.61
511	L7952ACV	TO-220 -V Reg 1.5A 5.2V	0.53
511	L7952CV	TO-220 -V Reg 1.5A 5.2V	0.55
595	SG7905.2K	TO-3 -V Reg 1.5A 5.2V	8.95
333	ML7906A	TO-220 -V Reg 1.0A 6V	0.53
511	L7906CV	TO-220 -V Reg 1.5A 6V	0.53

MOUSER NO.		Description	Price Each
Mfr.	Industry No.		
Linear Series (cont.)			
513	NJM7906FA	TO-220F -V Reg 1.5A 6V	0.61
333	ML7908A	TO-220 -V Reg 1.0A 8V	0.53
511	L7908ACV	TO-220 -V Reg 1.5A	0.53
511	L7908CT	TO-3 -V Reg 1.5A 8V	1.79
511	L7908CV	TO-220 -V Reg 1.5A 8V	0.53
513	NJM7908FA	TO-220F -V Reg 1.5A 8V	0.61
595	SG7908AT	TO-39 -V Reg 1.5A 8V	23.80
595	SG7908K	TO-3 -V Reg 1.5A 8V	15.30
333	ML7909A	TO-220 -V Reg 1.0A 9V	0.53
513	NJM7909FA	TO-220F -V Reg 1.5A 9V	0.61
333	ML7912A	TO-220 -V Reg 1.0A 12V	0.53
511	L7912ACV	TO-220 -V Reg 1.5A 12V	0.55
511	L7912CT	Isowatt220 -V Reg 1.5A 12V	0.53
511	L7912CV	TO-3 -V Reg 1.5A 12V	1.66
513	NJM7912FA	TO-220F -V Reg 1.5A 12V	0.61
595	SG7912AK	TO-3 -V Reg 1.5A 12V	7.20
595	SG7912K	TO-3 -V Reg 1.5A 12V	4.05
333	ML7915A	TO-220 -V Reg 1.0A 15V	0.53
511	L7915ACV	TO-220 -V Reg 1.5A 15V	0.46
511	L7915CT	TO-3 -V Reg 1.5A 15V	1.66
511	L7915CV	TO-220 -V Reg 1.5A 15V	0.53
513	NJM7915FA	TO-220F -V Reg 1.5A 15V	0.61
595	SG7915AK	TO-3 -V Reg 1.5A 15V	7.20
595	SG7915R	TO-66 -V Reg 1.5A 15V	18.70
333	ML7918A	TO-220 -V Reg 1.0A 18V	0.53
511	L7918CT	TO-3 -V Reg 1.5A 18V	1.66
511	L7918CV	TO-220 -V Reg 1.5A 18V	0.53
513	NJM7918FA	TO-220F -V Reg 1.5A 18V	0.61
595	SG7918AK	TO-3 -V Reg 1.5A 18V	25.50
595	SG7918CT	TO-39 -V Reg 1.5A 18V	3.95
511	L7920CT	TO-3 -V Reg 1.5A 20V	1.79
511	L7920CV	TO-220 -V Reg 1.5A 20V	0.53
333	ML7924A	TO-220 -V Reg 1.0A 24V	0.53
511	L7924CT	TO-3 -V Reg 1.5A 24V	1.66
511	L7924CV	TO-220 -V Reg 1.5A 24V	0.53
513	NJM7924FA	TO-220F -V Reg 1.5A 24V	0.61
513	NJU9201BD	DIP-40 3 1/2 Digit A/D Conv	3.22
513	NJU9201BM	SO-42 3 1/2 Digit A/D Conv	6.44
513	NJU9202BD	DIP-40 3 1/2 Digit A/D Conv	3.18
513	NJU9202BM	SO-42 3 1/2 Digit A/D Conv	7.51
513	NJU9203BD	DIP-40 3 1/2 Digit A/D Conv	3.38
513	NJU9203BM	SO-42 3 1/2 Digit A/D Conv	7.02
513	NJU9204BD	DIP-40 3 1/2 Digit A/D Conv	3.40
513	NJU9204BM	SO-42 3 1/2 Digit A/D Conv	7.02
511	L9822	Multi Octal Side Driver	8.86
592	BA10324	DIP-14 Quad Op Amp	0.53

Manufacturer	Prefix
Harris Semiconductor	570

Intersil IC's



◆ Surface Mount Device

For quantities greater than listed call for quote

MOUSER NO.		Description	Price Each
Mfr.	Industry No.		1-99
Intersil Series			
570 -	AD590JH	TO-52 Temp Transducer	3.34
570 -	AD7523JN	DIP-16 D/A Converter	3.59
570 -	ADC804LCN	DIP-20 A/D Converter	3.73
570 -	DG201BK	DIP-16 G/P Analog Switch	6.04
570 -	DG201CJ	DIP-16 G/P Analog Switch	3.59
570 -	DG211CJ	DIP-16 G/P Analog Switch	2.37
570 -	DG212CJ	DIP-16 G/P Analog Switch	2.36
570 -	ICL232CPE	DIP-16 DualRecv/Transmit	2.84
570 -	7104-14CPL	DIP-40 A/D Converter	44.37
570 -	ICL710416CPL	DIP-40 A/D Converter	44.16
570 -	ICL7106CPL	DIP-40 A/D Conv/Driver	5.05
570 -	ICL7107CPL	DIP-40 A/D Conv/Driver	5.42
570 -	ICL7109CPL	DIP-40 A/D Converter	7.94
570 -	ICL7116CPL	DIP-40 A/D Conv/Driver	6.38
570 -	ICL7135CPI	DIP-28 A/D Conv/BCD	8.75
570 -	ICL7136CPL	DIP-40 A/D Converter	7.65
570 -	ICL7611BCPA	DIP-8 Low-Power Op Amp	2.27
570 -	ICL7611BMTV	TO-99 Low-Power Op Amp	6.38
570 -	ICL7621BCPA	DIP-8 G/P Operational Amp	4.66
570 -	ICL7621DCPA	DIP-8 G/P Operational Amp	1.29

For quantities greater than listed call for quote

MOUSER NO.		Description	Price Each
Mfr.	Industry No.		1-99
Intersil Series (cont.)			
570 -	ICL7641ECPD	DIP-14 G/P Operationl Amp	2.23
570 -	7650SCPA1	DIP-8 Super Chop Op Amp	2.84
570 -	ICL7660CBA	SO-8 Volt Converter	1.86
570 -	ICL7660CPA	DIP-8 Volt Converter	1.79
570 -	7660SCPA	DIP-8 Super Volt Converter	1.93
570 -	ICL7662CPA	DIP-8 Volt Converter	2.37
570 -	7663SCPA	DIP-8 Super Prog. Volt Reg	2.68
570 -	7665SCPA	DIP-8 Super Volt Detector	2.96
570 -	ICL7667CPA	DIP-8 Dual Power Driver	2.04
570 -	8038CCPD	DIP-14 Waveform Generatr	4.14
570 -	ICL8038CCJD	DIP-14 Volt Controlled Osc	5.38
570 -	8052CPD	DIP-14 14-bit A/D Convrtr	11.58
570 -	ICL8069CCSQ	TO-52 Low-V 2-pin Refer	2.89
570 -	8069CCZR	TO-92 Low Volt Reference	2.00
570 -	ICL8069CMSQ	TO-52 Low-V 2-pin Refer	6.23
570 -	ICL8069DCSQ	TO-52 Low-V 2-pin Refer	2.00
570 -	ICL8069DCZR	TO-92 Low-V 2-pin Refer	1.45
570 -	ICL8069DMSQ	TO-52 Low-V 2-pin Refer	5.16
570 -	ICL8211CPA	DIP-8 Prog Volt Detector	1.79
570 -	ICL8212CPA	DIP-8 Prog Volt Detector	1.79

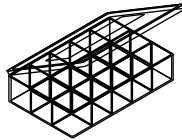
For quantities greater than listed call for quote

MOUSER NO.		Description	Price Each
Mfr.	Industry No.		1-99
Intersil Series (cont.)			
570 -	ICM7170IPG	DIP-24 Real Time Clock	14.20
570 -	ICM7209IPA	DIP-8 Time Base Generator	4.82
570 -	ICM7211AMIPL	DIP-40 Display Driver	3.70
570 -	ICM7212AMIPL	DIP-40 Display Driver	4.32
570 -	ICM7217AIPJ	DIP-28 Timer/Counter	9.83
570 -	ICM7217IJI	DIP-28 Timer/Counter	11.11
570 -	ICM7218AIJI	DIP-28 Display Driver	6.88
570 -	ICM7218BIJI	DIP-28 Display Driver	7.60
570 -	ICM7218CIJI	DIP-28 Display Driver	6.88
570 -	ICM7224IPL	DIP-40 Timer/Counter	10.93
570 -	7226AIJL	DIP-40 8-Digit Counter	34.62
570 -	ICM7555IPIA	DIP-8 Timer/Counter	0.61
570 -	ICM7556IPD	DIP-14 Dual Timer/Counter	1.29
570 -	IH5010CPD	DIP-14 Virt Ground Switch	5.92
570 -	IH5018CPA	DIP-8 Virt Ground Switch	6.20
570 -	IH5020CPA	DIP-8 Virt Ground Switch	5.81
570 -	IH5043CPE	DIP-16 CMOS Analog Sw	5.37
570 -	IM6654IJG	DIP-24 512x8 UV-EPROM	20.69

VOLTAGE REGULATOR IC KIT

- 72 pieces
- 18 different devices
- Fully assembled and keyed

MOUSER STOCK NO.	Description	Price Each
370-VRG-1	4 Each: 7805, 7805A, 78S05, 78M05, 7905, 7808, 7908, 7812, 7812A, 78S12, 7912, 7815A, 7915A, 7818, 7918, LM317T, LM337SP and LM723CN	59.95



LINEAR IC KIT

- 72 pieces
- 18 different devices
- Fully assembled and keyed
- Packaged in a sturdy, conductive, plastic storage box

MOUSER STOCK NO.	Description	Price Each
370-LIN-1	5 Each: LM311, LM324, LM339, LF353, LM358, LM393, NE555, NE556, MC1488, MC1489, ULN2003A 3 Each: LF347, LF356, LM741, LM1458, CA3130, CA3140, CA3059	69.95

1997 IC MASTER

The all new 1997 IC Master is a functional and numerical search guide to 125,000 commercially available integrated circuits, including over 13,000 new ICs. The Alternate Source Directory section lists 120,000 devices, cross-referenced and verified for fit, form, and function. This edition features hundreds of new and updated manufacturer supplied data pages. It also includes a complete Manufacturers & Distributors Directory.

Features:

- Pinout and package data for over 85,000 devices is available to subscribers on the World Wide Web at <http://icmaster.com>
- 1,000 new listings in Linear
- 2,100 new listings in Memory
- 1,200 new listings in Digital
- 250 new Processors / Controllers
- Alternate source directory expanded with a complete list of over 9,000 NTE parts
- Application note directory includes more than 4,400 notes, with hundreds of new application notes



13,000 New Devices

Parameter search data on a total of more than 120,000 commercially available IC's.

Expanded Sections and All New Data

Book (3-Volume Set)

MOUSER STOCK NO.	Price Each
5872-ICM-97	185.00

1997 IC MASTER ALTERNATE SOURCE DIRECTORY

This MS-DOS PC-based version of the world famous Alternate Source Directory Section from the IC Master is designed for frequent users of the ASD Section. It lists 120,000 current and discontinued devices, cross-referenced and verified for fit, form, and function. The database can be customized by adding or deleting device listings, and by adding comments to any listing. (THIS SET OF DISKS DOES NOT CONTAIN TECHNICAL SPECIFICATIONS OR DATA SHEETS).

ICMASD Software

MOUSER STOCK NO.	Disk Type	Price Each
5872-ASD-97/350	3.5"	179.50

Computer Requirements:

- Requires an IBM PC/XT/AT or compatible computer with a hard disk drive
- Must have 640K RAM with 14 MB of disk space available
- EGA or VGA display
- Requires MS-DOS 3.x or higher
- Is available on single 3-1/2"

1997 IC MASTER CD-ROM FOR WINDOWS

This new and expanded 1997 IC Master CD-ROM for Windows contains hundreds of manufacturer supplied data pages, the world famous IC Master Alternate Source Directory, the entire IC Master Directory of IC Manufacturers' Data Pages, and the complete IC Master Manufacturers & Distributors Directory. CD-ROM for Windows provides easy direct access to the entire IC Master database. In addition to pin-out and packaging information, it also features keyword and category searches, high speed sort, and zoom capability for the Part Number Guide and the manufacturers' data pages.

Computer Requirements:

- Requires an IBM 386 or higher
- Hard disk drive with 5MB available
- Must have 640K RAM
- ISO9660 CD-ROM reader
- VGA display
- Requires Windows 3.1 or higher
- Microsoft CD-ROM Extensions 2.0 or higher (MSCDEX)
- Printing requires HP Laserjet or compatible for data pages

ICMASD Software

MOUSER STOCK NO.	Price Each
5872-CDROM-97	235.00

HC-33

For quantities greater than listed, call for quote.

MOUSER STOCK NO.	Fig.	Frequency (MHz)	Load Cap.	Price Each	
				1	10
520-HCB200-S	A	2.000000	Series	4.39	3.64

HC-49/U

For quantities greater than listed, call for quote.

MOUSER STOCK NO.	Fig.	Frequency (MHz)	Load Cap.	Price Each	
				1	10
520-HCA100-13	B	1.000000	13pf	10.02	8.59
520-HCA184-13	B	1.843200	13pf	2.46	2.11
520-HCA184-S	B	1.843200	Series	2.46	2.11
520-HCA200-20	B	2.000000	20pf	2.46	2.11
520-HCA200-S	B	2.000000	Series	2.46	2.11
520-HCA204-12	B	2.048000	12pf	2.46	2.11
520-HCA245-32	B	2.457600	32pf	2.21	1.90
520-HCA250-S	B	2.500000	Series	2.21	1.90
520-HCA300-S	B	3.000000	Series	2.60	2.23
520-HCA327-17	B	3.276800	17pf	1.18	1.01
520-HCA357-17	B	3.579545	17pf	1.23	1.06
520-HCA357-S	B	3.579545	Series	1.23	1.06
520-HCA368-18	B	3.686400	18pf	1.23	1.06
520-HCA368-S	B	3.686400	Series	1.23	1.06
520-HCA393-17	B	3.932160	17pf	1.23	1.06
520-HCA400-20	B	4.000000	20pf	1.18	1.01
520-HCA400-S	B	4.000000	Series	1.18	1.01
520-HCA403-20	B	4.032000	20pf	1.18	1.01
520-HCA403-S	B	4.032000	Series	1.18	1.01
520-HCA409-20	B	4.096000	20pf	1.18	1.01
520-HCA419-12	B	4.194304	12pf	1.18	1.01
520-HCA443-20	B	4.433618	20pf	1.18	1.01
520-HCA491-20	B	4.915200	20pf	1.18	1.01
520-HCA491-S	B	4.915200	Series	1.18	1.01
520-HCA500-20	B	5.000000	20pf	1.18	1.01
520-HCA500-S	B	5.000000	Series	1.18	1.01
520-HCA506-20	B	5.068800	20pf	1.18	1.01
520-HCA506-S	B	5.068800	Series	1.18	1.01
520-HCA518-32	B	5.185000	32pf	1.18	1.01
520-HCA518-S	B	5.185000	Series	1.18	1.01
520-HCA599-20	B	5.990400	20pf	1.18	1.01
520-HCA599-S	B	5.990400	Series	1.18	1.01
520-HCA600-32	B	6.000000	32pf	1.18	1.01
520-HCA600-S	B	6.000000	Series	1.18	1.01
520-HCA614-32	B	6.144000	32pf	1.18	1.01
520-HCA655-12	B	6.553600	12pf	1.18	1.01
520-HCA737-20	B	7.372800	20pf	1.18	1.01
520-HCA737-S	B	7.372800	Series	1.18	1.01
520-HCA768-20	B	7.680000	20pf	1.18	1.01
520-HCA800-18	B	8.000000	18pf	1.18	1.01
520-HCA800-20	B	8.000000	20pf	1.18	1.01
520-HCA800-32	B	8.000000	32pf	1.18	1.01
520-HCA800-S	B	8.000000	Series	1.18	1.01
520-HCA921-20	B	9.216000	20pf	1.18	1.01
520-HCA921-S	B	9.216000	Series	1.18	1.01
520-HCA983-20	B	9.830400	20pf	1.18	1.01
520-HCA983-S	B	9.830400	Series	1.18	1.01
520-HCA1000-S	B	10.000000	Series	1.18	1.01
520-HCA1073-S	B	10.738635	Series	1.18	1.01
520-HCA1100-S	B	11.000000	Series	1.18	1.01
520-HCA1104-S	B	11.046000	Series	1.18	1.01
520-HCA1105-20	B	11.059200	20pf	1.18	1.01
520-HCA1105-32	B	11.059200	32pf	1.18	1.01
520-HCA1105-S	B	11.059200	Series	1.18	1.01
520-HCA1122-S	B	11.228000	Series	1.18	1.01
520-HCA1152-S	B	11.520000	Series	1.18	1.01
520-HCA1198-S	B	11.981350	Series	1.18	1.01
520-HCA1200-32	B	12.000000	32pf	1.18	1.01
520-HCA1200-S	B	12.000000	Series	1.18	1.01
520-HCA1201-18	B	12.000393	18pf	1.18	1.01
520-HCA1209-S	B	12.096000	Series	1.18	1.01
520-HCA1228-20	B	12.288000	20pf	1.18	1.01
520-HCA1228-S	B	12.288000	Series	1.18	1.01
520-HCA1351-S	B	13.516800	Series	1.18	1.01
520-HCA1431-S	B	14.318180	Series	1.18	1.01
520-HCA1469-S	B	14.690000	Series	1.18	1.01
520-HCA1474-20	B	14.745600	20pf	1.18	1.01
520-HCA1474-S	B	14.745600	Series	1.18	1.01
520-HCA1500-S	B	15.000000	Series	1.18	1.01
520-HCA1600-20	B	16.000000	20pf	1.18	1.01
520-HCA1600-S	B	16.000000	Series	1.18	1.01
520-HCA1601-18	B	16.000312	18pf	1.18	1.01
520-HCA1800-20	B	18.000000	20pf	1.23	1.06
520-HCA1800-S	B	18.000000	Series	1.23	1.06
520-HCA1843-18	B	18.432000	18pf	1.23	1.06
520-HCA1843-20	B	18.432000	20pf	1.23	1.06
520-HCA1843-S	B	18.432000	Series	1.23	1.06
520-HCA1966-20	B	19.660800	20pf	1.23	1.06
520-HCA1966-S	B	19.660800	Series	1.23	1.06
520-HCA2000-20	B	20.000000	20pf	1.18	1.01
520-HCA2000-S	B	20.000000	Series	1.18	1.01
520-HCA2147-S	B	21.477270	Series	1.43	1.28
520-HCA2400-16	B	24.000000	16pf	1.43	1.28
520-HCA2400-20	B	24.000000	20pf	1.43	1.28
520-HCA2400-S	B	24.000000	Series	1.43	1.28
520-HCA2401-18	B	24.000140	18pf	1.43	1.28

HC-49/US

For quantities greater than listed, call for quote.

MOUSER STOCK NO.	Fig.	Frequency (MHz)	Load Cap.	Price Each	
				1	10
520-HCU357-17	C	3.579545	17pf	1.55	1.40
520-HCU357-S	C	3.579545	Series	1.55	1.40
520-HCU368-18	C	3.686400	18pf	1.55	1.40
520-HCU368-S	C	3.686400	Series	1.55	1.40
520-HCU400-20	C	4.000000	20pf	1.55	1.40
520-HCU400-S	C	4.000000	Series	1.55	1.40
520-HCU403-20	C	4.032000	20pf	1.55	1.40
520-HCU403-S	C	4.032000	Series	1.55	1.40
520-HCU409-20	C	4.096000	20pf	1.55	1.40
520-HCU409-30	C	4.096000	30pf	1.55	1.40
520-HCU419-12	C	4.194304	12pf	1.55	1.40
520-HCU419-16	C	4.194304	16pf	1.55	1.40
520-HCU443-20	C	4.433618	20pf	1.55	1.40
520-HCU491-20	C	4.915200	20pf	1.55	1.40
520-HCU491-S	C	4.915200	Series	1.55	1.40
520-HCU500-20	C	5.000000	20pf	1.55	1.40
520-HCU500-S	C	5.000000	Series	1.55	1.40
520-HCU506-20	C	5.068800	20pf	1.55	1.40
520-HCU506-S	C	5.068800	Series	1.55	1.40
520-HCU518-32	C	5.185000	32pf	1.55	1.40
520-HCU518-S	C	5.185000	Series	1.55	1.40
520-HCU599-20	C	5.990400	20pf	1.55	1.40
520-HCU599-S	C	5.990400	Series	1.55	1.40
520-HCU600-32	C	6.000000	32pf	1.55	1.40
520-HCU600-S	C	6.000000	Series	1.55	1.40
520-HCU614-32	C	6.144000	32pf	1.55	1.40
520-HCU650-20	C	6.500000	20pf	1.55	1.40
520-HCU655-S	C	6.553600	Series	1.55	1.40
520-HCU737-20	C	7.372800	20pf	1.55	1.40
520-HCU737-S	C	7.372800	Series	1.55	1.40
520-HCU768-20	C	7.680000	20pf	1.55	1.40
520-HCU800-18	C	8.000000	18pf	1.55	1.40
520-HCU800-20	C	8.000000	20pf	1.55	1.40
520-HCU800-32	C	8.000000	32pf	1.55	1.40
520-HCU800-S	C	8.000000	Series	1.55	1.40
520-HCU850-S	C	8.500000	Series	1.55	1.40
520-HCU900-S	C	9.000000	Series	1.55	1.40
520-HCU921-20	C	9.216000	20pf	1.55	1.40
520-HCU921-S	C	9.216000	Series	1.55	1.40
520-HCU954-S	C	9.545000	Series	1.55	1.40
520-HCU983-20	C	9.830400	20pf	1.55	1.40
520-HCU983-S	C	9.830400	Series	1.55	1.40
520-HCU1000-S	C	10.000000	Series	1.55	1.40
520-HCU1073-S	C	10.738635	Series	1.55	1.40
520-HCU1100-S	C	11.000000	Series	1.55	1.40
520-HCU1105-20	C	11.059200	20pf	1.55	1.40
520-HCU1105-32	C	11.059200	32pf	1.55	1.40
520-HCU1105-S	C	11.059200	Series	1.55	1.40
520-HCU1152-S	C	11.520000	Series	1.55	1.40
520-HCU1198-S	C	11.981350	Series	1.55	1.40
520-HCU1200-32	C	12.000000	32pf	1.55	1.40
520-HCU1200-S	C	12.000000	Series	1.55	1.40
520-HCU1201-18	C	12.000393	18pf	1.55	1.40
520-HCU1209-S	C	12.096000	Series	1.55	1.40
520-HCU1228-S	C	12.288000	Series	1.55	1.40
520-HCU1296-18	C	12.960000	18pf	1.55	1.40
520-HCU1431-S	C	14.318180	Series	1.55	1.40
520-HCU1474-20	C	14.745600	20pf	1.55	1.40
520-HCU1474-S	C	14.745600	Series	1.55	1.40
520-HCU1500-S	C	15.000000	Series	1.55	1.40
520-HCU1536-20	C	15.360000	20pf	1.55	1.40
520-HCU1600-20	C	16.000000	20pf	1.55	1.40
520-HCU1600-S	C	16.000000	Series	1.55	1.40
520-HCU1601-18	C	16.000312	18pf	1.55	1.40
520-HCU1625-20	C	16.257000	20pf	1.55	1.40
520-HCU1625-S	C	16.257000	Series	1.55	1.40
520-HCU1800-20	C	18.000000	20pf	1.55	1.40
520-HCU1800-S	C	18.000000	Series	1.55	1.40
520-HCU1843-18	C	18.432000	18pf	1.55	1.40
520-HCU1843-20	C	18.432000	20pf	1.55	1.40
520-HCU1843-S	C	18.432000	Series	1.55	1.40
520-HCU1966-20	C	19.660800	20pf	1.55	1.40
520-HCU1966-S	C	19.660800	Series	1.55	1.40
520-HCU2000-20	C	20.000000	20pf	1.55	1.40
520-HCU2000-S	C	20.000000	Series	1.55	1.40
520-HCU2147-S	C	21.477270	Series	1.43	1.28
520-HCU2400-16	C	24.000000	16pf	1.43	1.28
520-HCU2400-20	C	24.000000	20pf	1.43	1.28
520-HCU2400-S	C	24.000000	Series	1.43	1.28
520-HCU2401-18	C	24.000140	18pf	1.43	1.28

CSM-7

For quantities greater than listed, call for quote.

MOUSER STOCK NO.	Fig.	Frequency (MHz)	Load Cap.	Price Each	
				1	10
520-CSM357-17	D	3.579545	17pf	2.19	1.82
520-CSM357-S	D	3.579545	Series	2.19	1.82
520-CSM368-20	D	3.686400	20pf	2.19	1.82
520-CSM368-S	D	3.686400	Series	2.19	1.82
520-CSM400-20	D	4.000000	20pf	2.19	1.82
520-CSM400-S	D	4.000000	Series	2.19	1.82
520-CSM403-20	D	4.032000	20pf	2.19	1.82
520-CSM403-S	D	4.032000	Series	2.19	1.82
520-CSM409-20	D	4.096000	20pf	2.19	1.82
520-CSM419-12	D	4.194304	12pf	2.19	1.82
520-CSM419-16	D	4.194304	16pf		

Specifications:

- Operating temperature: -10°C to +60°C (ECX-3A)
- Aging: ± 5ppm/yr (max.)
- Frequency tolerance: ± 50ppm @ 25°C
- Drive level: 1mW
- Aging: ± 5ppm/yr (max.)
- Frequency tolerance: ± 50ppm @ 25°C

ECX-3A

For quantities greater than listed, call for quote.

MOUSER STOCK NO.	Fig.	Frequency (MHz)	Load Cap.	Price Each	
				1	10
520-ECX357-17	A	3.579545	17pf	3.35	2.79
520-ECX357-S	A	3.579545	Series	3.35	2.79
520-ECX368-20	A	3.686400	20pf	3.35	2.79
520-ECX368-S	A	3.686400	Series	3.35	2.79
520-ECX400-20	A	4.000000	20pf	3.35	2.79
520-ECX400-S	A	4.000000	Series	3.35	2.79
520-ECX409-16	A	4.096000	16pf	3.35	2.79
520-ECX419-12	A	4.194304	12pf	3.35	2.79
520-ECX443-20	A	4.433618	20pf	3.35	2.79
520-ECX491-20	A	4.915200	20pf	3.35	2.79
520-ECX491-S	A	4.915200	Series	3.35	2.79
520-ECX500-20	A	5.000000	20pf	3.35	2.79
520-ECX600-32	A	6.000000	32pf	3.35	2.79
520-ECX600-S	A	6.000000	Series	3.35	2.79
520-ECX614-32	A	6.144000	32pf	3.35	2.79
520-ECX655-12	A	6.553600	12pf	3.35	2.79
520-ECX737-20	A	7.372800	20pf	3.35	2.79
520-ECX737-S	A	7.372800	Series	3.35	2.79
520-ECX800-16	A	8.000000	16pf	3.35	2.79
520-ECX800-S	A	8.000000	Series	3.35	2.79
520-ECX983-20	A	9.830400	20pf	3.35	2.79
520-ECX983-S	A	9.830400	Series	3.35	2.79
520-ECX1000-S	A	10.000000	Series	3.35	2.79
520-ECX1105-20	A	11.059200	20pf	3.35	2.79
520-ECX1105-S	A	11.059200	Series	3.35	2.79
520-ECX1200-18	A	12.000000	18pf	3.35	2.79
520-ECX1200-32	A	12.000000	32pf	3.35	2.79
520-ECX1200-S	A	12.000000	Series	3.35	2.79
520-ECX1228-20	A	12.288000	20pf	3.35	2.79
520-ECX1228-S	A	12.288000	Series	3.35	2.79
520-ECX1431-20	A	14.318180	20pf	3.35	2.79
520-ECX1431-S	A	14.318180	Series	3.35	2.79
520-ECX1474-20	A	14.745600	20pf	3.35	2.79
520-ECX1474-S	A	14.745600	Series	3.35	2.79
520-ECX1600-20	A	16.000000	20pf	3.35	2.79
520-ECX1600-S	A	16.000000	Series	3.35	2.79
520-ECX1843-S	A	18.432000	Series	3.59	2.99
520-ECX1966-20	A	19.660800	20pf	3.59	2.99
520-ECX1966-S	A	19.660800	Series	3.59	2.99
520-ECX2000-16	A	20.000000	16pf	3.59	2.99
520-ECX2000-20	A	20.000000	20pf	3.59	2.99
520-ECX2000-S	A	20.000000	Series	3.59	2.99
520-ECX2359-S	A	23.592000	Series	3.59	2.99
520-ECX2400-16	A	24.000000	16pf	3.59	2.99
520-ECX2400-20	A	24.000000	20pf	3.59	2.99
520-ECX2400-S	A	24.000000	Series	3.59	2.99

CSM-12

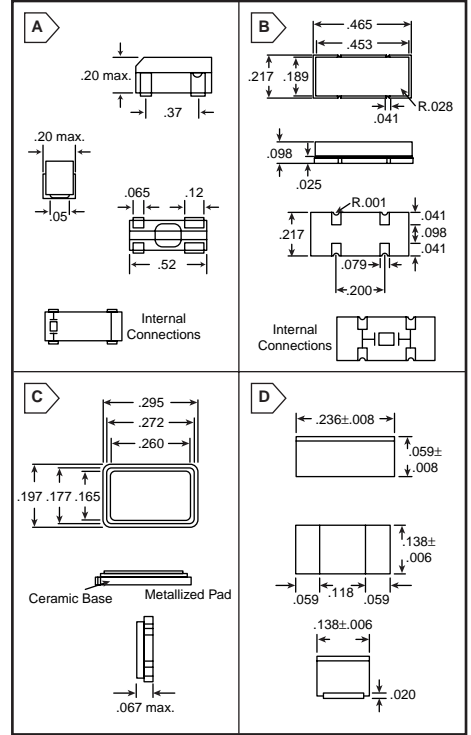
For quantities greater than listed, call for quote.

MOUSER STOCK NO.	Fig.	Frequency (MHz)	Load Cap.	Price Each	
				1	10
520-CSR357-17	B	3.579545	17pf	2.88	2.59
520-CSR368-20	B	3.686400	20pf	2.88	2.59
520-CSR368-S	B	3.686400	Series	2.88	2.59
520-CSR400-20	B	4.000000	20pf	2.88	2.59
520-CSR400-S	B	4.000000	Series	2.88	2.59
520-CSR491-20	B	4.915200	20pf	2.88	2.59
520-CSR491-S	B	4.915200	Series	2.88	2.59
520-CSR614-32	B	6.144000	32pf	2.88	2.59
520-CSR737-S	B	7.372800	Series	2.88	2.59
520-CSR800-S	B	8.000000	Series	2.88	2.59
520-CSR983-20	B	9.830400	20pf	2.88	2.59
520-CSR983-S	B	9.830400	Series	2.88	2.59
520-CSR1000-S	B	10.000000	Series	2.88	2.59
520-CSR1105-20	B	11.059200	20pf	2.88	2.59
520-CSR1105-S	B	11.059200	Series	2.88	2.59
520-CSR1200-S	B	12.000000	Series	2.88	2.59
520-CSR1431-S	B	14.318180	Series	2.88	2.59
520-CSR1600-S	B	16.000000	Series	2.88	2.59
520-CSR1843-S	B	18.432000	Series	2.88	2.59
520-CSR1966-S	B	19.660800	Series	2.88	2.59
520-CSR2000-20	B	20.000000	20pf	2.88	2.59
520-CSR2000-S	B	20.000000	Series	2.88	2.59
520-CSR2400-16	B	24.000000	16pf	2.88	2.59
520-CSR2400-20	B	24.000000	20pf	2.88	2.59

CSM-8A

*3rd Overtone For quantities greater than listed, call for quote.

MOUSER STOCK NO.	Fig.	Frequency (MHz)	Load Cap.	Price Each	
				1	10
520-CSQ983-20	C	9.830400	20pf	5.70	5.13
520-CSQ983-S	C	9.830400	Series	5.70	5.13
520-CSQ1000-S	C	10.000000	Series	5.70	5.13
520-CSQ1105-20	C	11.059200	20pf	5.70	5.13
520-CSQ1105-S	C	11.059200	Series	5.70	5.13
520-CSQ1200-S	C	12.000000	Series	5.70	5.13
520-CSQ1431-S	C	14.318180	Series	5.70	5.13
520-CSQ1474-S	C	14.745600	Series	5.70	5.13
520-CSQ1600-S	C	16.000000	Series	5.70	5.13
520-CSQ1843-S	C	18.432000	Series	5.70	5.13
520-CSQ1966-S	C	19.660800	Series	5.70	5.13
520-CSQ2000-20	C	20.000000	20pf	5.70	5.13
520-CSQ2000-S	C	20.000000	Series	5.70	5.13
520-CSQ2400-20	C	24.000000	20pf	5.70	5.13
520-CSQ2400-S	C	24.000000	Series	5.70	5.13
520-CSQ2401-S	C	24.000140	Series	6.06	5.45
520-CSQ3000-S	C	30.000000	Series	5.91	5.32
520-CSQ3000A-S	*C	30.000000	Series	6.06	5.45
520-CSQ3200A-S	*C	32.000000	Series	6.06	5.45
520-CSQ3200-S	C	32.000000	Series	5.91	5.32
520-CSQ3300A-S	*C	33.000000	Series	6.06	5.45
520-CSQ3525-S	C	35.251200	Series	5.91	5.32
520-CSQ3600-S	C	36.000000	Series	5.91	5.32
520-CSQ3600A-S	*C	36.000000	Series	6.06	5.45
520-CSQ4000-S	C	40.000000	Series	5.91	5.32
520-CSQ4000A-S	*C	40.000000	Series	6.06	5.45
520-CSQ4032A-S	*C	40.320000	Series	6.06	5.45

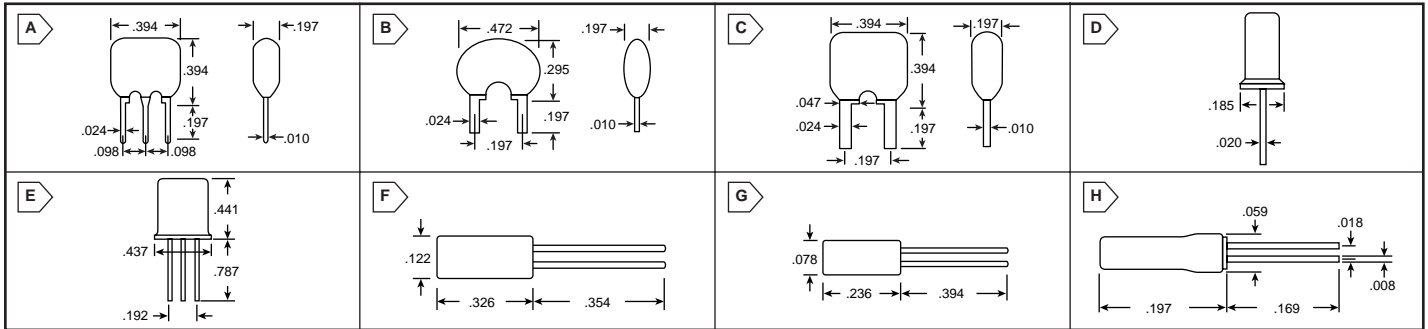


DIMENSIONS (IN.) ♦Surface Mount Device

ECX-6

For quantities greater than listed, call for quote.

MOUSER STOCK NO.	Fig.	Frequency (MHz)	Load Cap.	Price Each	
				1	10
520-ECW1431-S	D	14.318180	Series	6.40	5.33
520-ECW1500-S	D	15.000000	Series	6.40	5.33
520-ECW1600-S	D	16.000000	Series	6.40	5.33
520-ECW1773-S	D	17.734475	Series	6.40	5.33
520-ECW1800-S	D	18.000000	Series	6.40	5.33
520-ECW1843-S	D	18.432000	Series	6.40	5.33
520-ECW1966-S	D	19.660800	Series	6.40	5.33
520-ECW2000-S	D	20.000000	Series	6.40	5.33
520-ECW2400-S	D	24.000000	Series	6.40	5.33



DIMENSIONS (IN.)

Ceramic Resonators

- Operating temp.: -20°C to +80°C
- Frequency accuracy (@25°C): ±0.5%
- Aging for 10 years: ± 0.3%

MOUSER STOCK NO.	Fig.	Frequency (MHz)	Built-In Capacitance	Price Each		
				1	10	100
520-ZTT358MG	A	3.580000	30pf	.68	.56	
520-ZTT400MG	A	4.000000	30pf	.68	.56	
520-ZTT419MG	A	4.190000	30pf	.81	.68	
520-ZTT600MT	A	6.000000	30pf	.68	.56	
520-ZTT800MT	A	8.000000	30pf	.70	.59	
520-ZTT1000MT	A	10.000000	30pf	.70	.59	
520-ZTT1200MT	A	12.000000	30pf	.81	.68	
520-ZTT1600MX	A	16.000000	30pf	.81	.68	
520-ZTT2000MX	A	20.000000	30pf	.81	.68	
520-ZTA358MG	B	3.580000	None	.54	.45	
520-ZTA400MG	B	4.000000	None	.54	.45	
520-ZTA419MG	B	4.190000	None	.68	.56	
520-ZTA600MT	C	6.000000	None	.54	.45	
520-ZTA800MT	C	8.000000	None	.59	.50	
520-ZTA1000MT	C	10.000000	None	.59	.50	
520-ZTA1200MT	C	12.000000	None	.68	.59	
520-ZTA1600MX	C	16.000000	None	.68	.59	
520-ZTA2000MX	C	20.000000	None	.68	.59	

Call For Quote

10.7MHz Monolithic Crystal Filters

- Operating temp.: -20°C to +70°C
- Pass bandwidth: 12.5kHz channel spacing - 3db ±3.75kHz (min)
- 25kHz channel spacing - 2db ±7.5kHz (min)

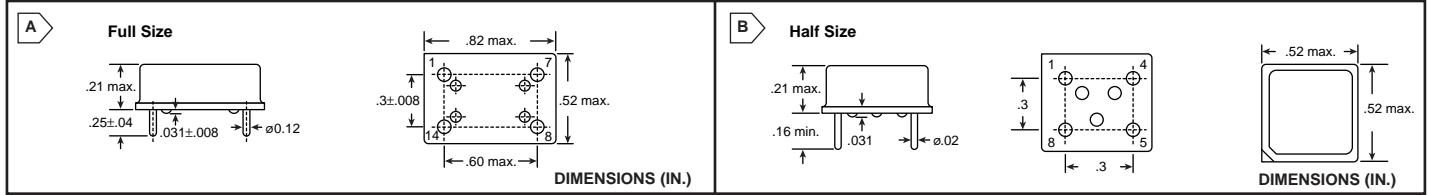
MOUSER STOCK NO.	Fig.	Channel Spacing (kHz)	No. of Poles	Price Each		
				1	10	100
520-107-7.5A	D	12.5	2	5.53	4.59	
520-107-7.5B	D	12.5	4	12.51	10.40	Call For Quote
520-107-15A	E	25	2	3.41	2.84	
520-107-15B	E	25	4	6.66	5.54	

Tuning Fork Crystals

- Operating temp.: -10°C to +60°C
- Frequency tolerance: 0.032768MHz = ±20ppm; 1.000000MHz = ±3000ppm

MOUSER STOCK NO.	Fig.	Frequency (MHz)	Load Capacitance	Price Each		
				1	10	100
520-TFC3X8	F	0.032768	12.5	.85	.70	
520-TFC2X6	G	0.032768	12.5	.85	.70	
520-TFC327	H	0.032768	8	3.41	2.84	Call For Quote
520-TFC100	H	1.000000	8	9.33	7.75	

CLOCK OSCILLATORS



Full Size (TTL)

Specifications:

- Frequency tolerance: $\pm 100\text{ppm}$
- Power supply voltage: 5 VDC $\pm 0.5\text{V}$
- Operating temperature range: 0°C to +70°C
- Symmetry: 60/40 to 40/60 @ 1.4 VDC level

For quantities greater than listed, call for quote.

MOUSER STOCK NO.	Fig.	Frequency (MHz)	Current Consumption mA	Rise/Fall Time (Max.) nS	Price Each		
					1	10	100
520-TCF100	A	1.000000	30	15	4.88	4.39	3.51
520-TCF122	A	1.228800	30	15	4.88	4.39	3.51
520-TCF184	A	1.843200	30	15	4.00	3.60	2.88
520-TCF200	A	2.000000	30	15	4.00	3.60	2.88
520-TCF245	A	2.457600	30	15	4.00	3.60	2.88
520-TCF357	A	3.579545	30	15	4.00	3.60	2.88
520-TCF368	A	3.686400	30	15	3.38	3.04	2.43
520-TCF400	A	4.000000	30	15	3.38	3.04	2.43
520-TCF491	A	4.915200	30	15	3.38	3.04	2.43
520-TCF500	A	5.000000	30	15	3.38	3.04	2.43
520-TCF506	A	5.068800	30	15	3.38	3.04	2.43
520-TCF600	A	6.000000	30	15	3.38	3.04	2.43
520-TCF614	A	6.144000	30	15	3.38	3.04	2.43
520-TCF737	A	7.372800	30	15	3.38	3.04	2.43
520-TCF800	A	8.000000	30	15	3.38	3.04	2.43
520-TCF921	A	9.216000	30	10	3.38	3.04	2.43
520-TCF983	A	9.830400	30	10	3.38	3.04	2.43
520-TCF1000	A	10.000000	30	10	3.38	3.04	2.43
520-TCF1105	A	11.059200	30	10	3.38	3.04	2.43
520-TCF1200	A	12.000000	30	10	3.38	3.04	2.43
520-TCF1431	A	14.318180	30	10	3.38	3.04	2.43
520-TCF1474	A	14.745600	30	10	3.38	3.04	2.43
520-TCF1600	A	16.000000	30	10	3.38	3.04	2.43
520-TCF1625	A	16.257000	30	10	3.38	3.04	2.43
520-TCF1800	A	18.000000	30	10	3.38	3.04	2.43
520-TCF1843	A	18.432000	30	10	3.38	3.04	2.43
520-TCF1966	A	19.660800	30	10	3.38	3.04	2.43
520-TCF2000	A	20.000000	30	10	3.38	3.04	2.43
520-TCF2400	A	24.000000	35	10	3.38	3.04	2.43
520-TCF2500	A	25.000000	35	10	3.38	3.04	2.43
520-TCF2517	A	25.175000	35	10	3.38	3.04	2.43
520-TCF2832	A	28.322000	35	10	3.38	3.04	2.43
520-TCF3000	A	30.000000	35	10	3.38	3.04	2.43
520-TCF3200	A	32.000000	35	10	3.38	3.04	2.43
520-TCF3251	A	32.514000	35	6	3.38	3.04	2.43
520-TCF3500	A	35.000000	35	6	3.38	3.04	2.43
520-TCF4000	A	40.000000	35	6	3.88	3.49	2.79
520-TCF4800	A	48.000000	35	6	3.88	3.49	2.79
520-TCF5000	A	50.000000	35	6	3.88	3.49	2.79
520-TCF6400	A	64.000000	35	6	3.88	3.49	2.79
520-TCF6666	A	66.666000	35	6	4.13	3.71	2.97

Half Size (TTL/CMOS)

Specifications:

- Frequency tolerance: $\pm 100\text{ppm}$
- Power supply voltage: 5 VDC $\pm 0.5\text{V}$
- Operating temperature range: 0°C to +70°C
- Symmetry: >9.99MHz: 45/55 to 55/45 <10MHz: 40/60 to 60/40

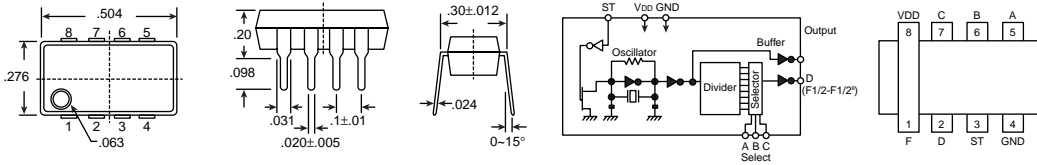
For quantities greater than listed, call for quote.

MOUSER STOCK NO.	Fig.	Frequency (MHz)	Current Consumption mA	Rise/Fall Time (Max.) nS	Price Each		
					1	10	100
520-TCH100	B	1.000000	10	15	5.38	4.84	3.87
520-TCH122	B	1.228800	10	15	5.38	4.84	3.87
520-TCH184	B	1.843200	10	15	5.38	4.84	3.87
520-TCH200	B	2.000000	10	15	5.38	4.84	3.87
520-TCH245	B	2.457600	10	15	5.38	4.84	3.87
520-TCH357	B	3.579545	10	15	5.38	4.84	3.87
520-TCH368	B	3.686400	10	15	5.38	4.84	3.87
520-TCH400	B	4.000000	10	15	5.38	4.84	3.87
520-TCH491	B	4.915200	10	15	5.38	4.84	3.87
520-TCH500	B	5.000000	10	15	5.38	4.84	3.87
520-TCH506	B	5.068800	10	15	5.38	4.84	3.87
520-TCH600	B	6.000000	10	15	5.38	4.84	3.87
520-TCH614	B	6.144000	10	15	5.38	4.84	3.87
520-TCH737	B	7.372800	10	15	5.38	4.84	3.87
520-TCH800	B	8.000000	10	15	5.38	4.84	3.87
520-TCH921	B	9.216000	10	15	5.38	4.84	3.87
520-TCH983	B	9.830400	10	15	5.38	4.84	3.87
520-TCH1000	B	10.000000	10	15	5.38	4.84	3.87
520-TCH1105	B	11.059200	10	15	5.38	4.84	3.87
520-TCH1200	B	12.000000	10	15	5.38	4.84	3.87
520-TCH1431	B	14.318180	10	15	5.38	4.84	3.87
520-TCH1474	B	14.745600	10	15	5.38	4.84	3.87
520-TCH1600	B	16.000000	10	15	5.38	4.84	3.87
520-TCH1625	B	16.257000	10	15	5.38	4.84	3.87
520-TCH1800	B	18.000000	10	15	5.38	4.84	3.87
520-TCH1843	B	18.432000	10	15	5.38	4.84	3.87
520-TCH1966	B	19.660800	10	15	5.38	4.84	3.87
520-TCH2000	B	20.000000	10	15	5.38	4.84	3.87
520-TCH2400	B	24.000000	10	15	5.38	4.84	3.87
520-TCH2500	B	25.000000	30	6	5.38	4.84	3.87
520-TCH2517	B	25.175000	30	6	5.38	4.84	3.87
520-TCH2832	B	28.322000	30	6	5.38	4.84	3.87
520-TCH3000	B	30.000000	30	6	5.38	4.84	3.87
520-TCH3200	B	32.000000	30	6	5.38	4.84	3.87
520-TCH3251	B	32.514000	30	6	5.38	4.84	3.87
520-TCH3500	B	35.000000	30	6	5.38	4.84	3.87
520-TCH4000	B	40.000000	30	6	5.38	4.84	3.87
520-TCH4800	B	48.000000	30	6	5.38	4.84	3.87
520-TCH5000	B	50.000000	30	6	5.38	4.84	3.87
520-TCH6400	B	64.000000	30	6	5.38	4.84	3.87
520-TCH6666	B	66.666000	30	6	5.38	4.84	3.87

DUAL OUTPUT CLOCK OSCILLATORS

Specifications:

- Supply current: 20mA (max.) @ 25°C
- Operating temperature: -10°C to +70°C
- Symmetry: 50 \pm 10%



For quantities greater than listed, call for quote.

MOUSER STOCK NO.	Frequency (MHz)	Current Consumption mA	Rise/Fall Time (Max.) (nS)	Price Each		
				1	10	100
520-DCO1200	12.000000	1	15	5.13	4.61	3.69
520-DCO1228	12.288000	1	15	5.13	4.61	3.69
520-DCO1280	12.800000	1	15	5.13	4.61	3.69
520-DCO1431	14.318180	1	15	5.13	4.61	3.69
520-DCO1474	14.745600	1	15	5.13	4.61	3.69
520-DCO1597	15.974400	1	15	5.13	4.61	3.69
520-DCO1600	16.000000	1	15	5.13	4.61	3.69
520-DCO1638	16.384000	1	15	5.13	4.61	3.69
520-DCO1773	17.734475	1	15	5.13	4.61	3.69
520-DCO1843	18.432000	1	15	5.13	4.61	3.69
520-DCO1966	19.660800	1	15	5.13	4.61	3.69
520-DCO2000	20.000000	1	15	5.13	4.61	3.69
520-DCO2400	24.000000	1	15	5.13	4.61	3.69

Pin Connection	
1	Output
2	Dividing Ratio
3	Standby
4	GND
5	A (Programming)
6	B (Programming)
7	C (Programming)
8	VDD (5V)

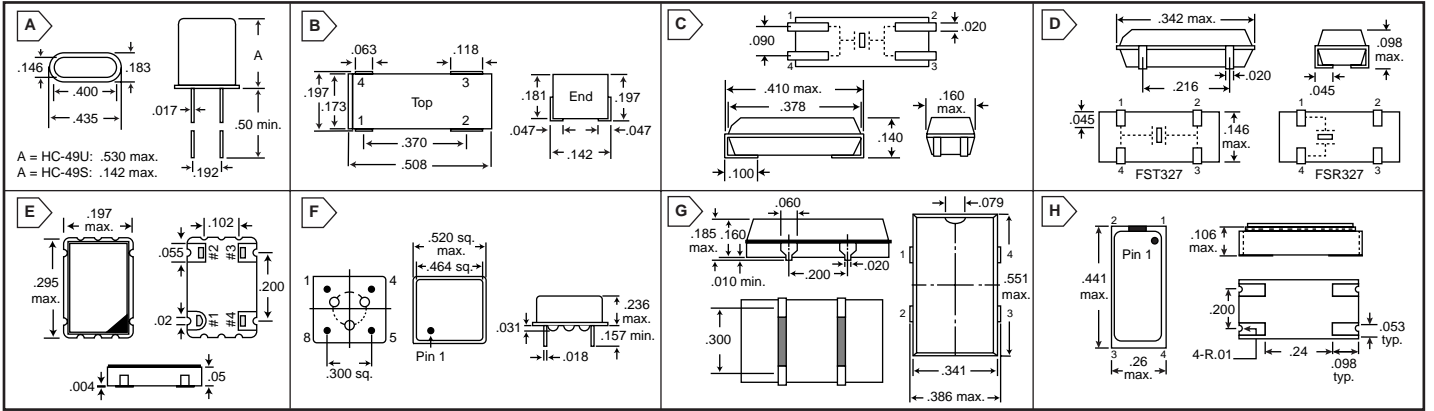
Input			Output		
Select			ST	F (Original Freq.)	D (Divided Waveform)
C	B	A	L	L	L
x	x	x	H	fo clock	fo 2 clock
L	L	L	H	fo clock	fo 1/2 ² clock
L	L	H	H	fo clock	fo 1/2 ³ clock
L	H	L	H	fo clock	fo 1/2 ⁴ clock
L	H	H	H	fo clock	fo 1/2 ⁵ clock
H	L	L	H	fo clock	fo 1/2 ⁶ clock
H	L	H	H	fo clock	fo 1/2 ⁷ clock
H	H	L	H	fo clock	fo 1/2 ⁸ clock
H	H	H	H	fo clock	fo 1/2 ⁹ clock





Microprocessor Crystals and Clock Oscillators

◆ Surface Mount Device DIMENSIONS (IN.)



HC-49U CRYSTALS

- Operating temp.: -20°C to +70°C
- Frequency tolerance: ±30PPM
- Aging: ±5PPM per year (max.)
- Maximum height: .530 in.
- Drive level (typ./max.): 1.0-3.0 MHz, 0.1/5.0mW
- 3.0-32.0MHz, 0.1/2.0mW

MOUSER STOCK NO.	Fig.	Frequency (MHz)	Load Cap.	Price Each	
				1	10
559-FOX010S	A	1.000000	Series	8.80	8.25
559-FOX018S	A	1.843200	13pF	2.00	1.88
559-FOX020S	A	2.000000	20pF	2.00	1.88
559-FOX021S	A	2.097152	20pF	2.00	1.88
559-FOX024S	A	2.457600	32pF	2.00	1.88
559-FOX036S	A	3.579545	18pF	1.26	1.19
559-FOX036S-20	A	3.686400	Series	1.26	1.19
559-FOX0368-20	A	3.686400	20pF	1.26	1.19
559-FOX040	A	4.000000	20pF	1.26	1.19
559-FOX040A	A	4.000000	Series	1.26	1.19
559-FOX0496-20	A	4.960000	20pF	1.26	1.19
559-FOX041	A	4.194304	12pF	1.26	1.19
559-FOX0443	A	4.433619	20pF	1.26	1.19
559-FOX049	A	4.915200	Series	1.26	1.19
559-FOX049-20	A	4.915200	20pF	1.26	1.19
559-FOX05A	A	5.000000	20pF	1.26	1.19
559-FOX050	A	5.068800	Series	1.26	1.19
559-FOX060	A	6.000000	Series	1.26	1.19
559-FOX060-20	A	6.000000	20pF	1.26	1.19
559-FOX061	A	6.144000	30pF	1.26	1.19
559-FOX061-20	A	6.144000	20pF	1.26	1.19
559-FOX073	A	7.372800	Series	1.26	1.19
559-FOX073-20	A	7.372800	20pF	1.26	1.19
559-FOX080	A	8.000000	Series	1.26	1.19
559-FOX080-20	A	8.000000	20pF	1.26	1.19
559-FOX081	A	8.192000	Series	1.26	1.19
559-FOX081-20	A	8.192000	20pF	1.26	1.19
559-FOX092	A	9.216000	Series	1.26	1.19
559-FOX098	A	9.830400	Series	1.26	1.19
559-FOX098-20	A	9.830400	20pF	1.26	1.19
559-FOX100	A	10.000000	Series	1.26	1.19
559-FOX100-20	A	10.000000	20pF	1.26	1.19
559-FOX111	A	11.000000	Series	1.26	1.19
559-FOX111-20	A	11.000000	20pF	1.26	1.19
559-FOX115	A	11.059200	Series	1.26	1.19
559-FOX115-20	A	11.059200	20pF	1.26	1.19
559-FOX120	A	12.000000	Series	1.26	1.19
559-FOX120-20	A	12.000000	20pF	1.26	1.19
559-FOX128	A	12.288000	Series	1.26	1.19
559-FOX128-20	A	12.288000	20pF	1.26	1.19
559-FOX143	A	14.318180	Series	1.26	1.19
559-FOX143-20	A	14.318180	20pF	1.26	1.19
559-FOX147	A	14.745600	Series	1.26	1.19
559-FOX147-20	A	14.745600	20pF	1.26	1.19
559-FOX160	A	16.000000	Series	1.26	1.19
559-FOX160-20	A	16.000000	20pF	1.26	1.19
559-FOX184	A	18.432000	Series	1.26	1.19
559-FOX184-20	A	18.432000	20pF	1.26	1.19
559-FOX196	A	19.660800	Series	1.26	1.19
559-FOX196-20	A	19.660800	20pF	1.26	1.19
559-FOX200	A	20.000000	Series	1.26	1.19
559-FOX200-20	A	20.000000	20pF	1.26	1.19
559-FOX221	A	22.118400	Series	1.26	1.19
559-FOX221-20	A	22.118400	20pF	1.26	1.19
559-FOX240F	A	24.000000	Series	1.26	1.19
559-FOX240F-20	A	24.000000	20pF	1.26	1.19
559-FOX320	A	32.000000	Series	1.26	1.19
559-FOX320-20	A	32.000000	20pF	1.26	1.19

HC-49S CRYSTALS

- Operating temperature: 0°C to +70°C
- Drive level (typ./max.): 0.1mW/1.0mW
- Aging: ±5PPM per year (max.)
- Maximum height: .142 in.

MOUSER STOCK NO.	Fig.	Frequency (MHz)	Load Cap.	Price Each	
				1	10
559-FOX036S	A	3.579545	18pF	1.92	1.80
559-FOX0368S	A	3.686400	Series	1.92	1.80
559-FOX0368S-20	A	3.686400	20pF	1.92	1.80
559-FOX040	A	4.000000	20pF	1.92	1.80

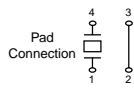
HC-49S CRYSTALS (Cont.)

For quantities greater than listed, call for quote.

MOUSER STOCK NO.	Fig.	Frequency (MHz)	Load Cap.	Price Each	
				1	10
559-FOX040A	A	4.000000	Series	1.92	1.80
559-FOX0496-20	A	4.960000	20pF	1.92	1.80
559-FOX041	A	4.194304	12pF	1.92	1.80
559-FOX0443	A	4.433619	20pF	1.92	1.80
559-FOX049-20	A	4.915200	20pF	1.92	1.80
559-FOX073	A	7.372800	Series	1.92	1.80
559-FOX073-20	A	7.372800	20pF	1.92	1.80
559-FOX080	A	8.000000	Series	1.92	1.80
559-FOX080-20	A	8.000000	20pF	1.92	1.80
559-FOX081-20	A	8.192000	20pF	1.92	1.80
559-FOX098	A	9.830400	Series	1.92	1.80
559-FOX098-20	A	9.830400	20pF	1.92	1.80
559-FOX100	A	10.000000	Series	1.92	1.80
559-FOX100-20	A	10.000000	20pF	1.92	1.80
559-FOX115	A	11.059200	Series	1.92	1.80
559-FOX115-20	A	11.059200	20pF	1.92	1.80
559-FOX120	A	12.000000	Series	1.92	1.80
559-FOX120-20	A	12.000000	20pF	1.92	1.80
559-FOX128	A	12.288000	Series	1.92	1.80
559-FOX128-20	A	12.288000	20pF	1.92	1.80
559-FOX143	A	14.318180	Series	1.92	1.80
559-FOX143-20	A	14.318180	20pF	1.92	1.80
559-FOX147	A	14.745600	Series	1.92	1.80
559-FOX147-20	A	14.745600	20pF	1.92	1.80
559-FOX160	A	16.000000	Series	1.92	1.80
559-FOX160-20	A	16.000000	20pF	1.92	1.80
559-FOX200	A	20.000000	Series	1.92	1.80
559-FOX200-20	A	20.000000	20pF	1.92	1.80
559-FOX240F	A	24.000000	Series	1.92	1.80
559-FOX240F-20	A	24.000000	20pF	1.92	1.80

ENCAPSULATED SMD CRYSTALS

- Operating temp.: -10°C to +70°C
- Drive level (typ./max.): 0.1mW/1.0mW
- Frequency tolerance: ±50PPM
- Aging: ±5PPM per year (max.)



For quantities greater than listed, call for quote.

MOUSER STOCK NO.	Fig.	Frequency (MHz)	Load Cap.	Price Each	
				1	10
559-FPX036S	B	3.579545	18pF	2.86	2.69
559-FPX0368S	B	3.686400	Series	2.86	2.69
559-FPX0368S-20	B	3.686400	20pF	2.86	2.69
559-FPX040	B	4.000000	20pF	2.86	2.69
559-FPX040A	B	4.000000	Series	2.86	2.69
559-FPX049	B	4.915200	Series	2.86	2.69
559-FPX073	B	7.372800	Series	2.86	2.69
559-FPX073-20	B	7.372800	20pF	2.86	2.69
559-FPX080	B	8.000000	Series	2.86	2.69
559-FPX080-20	B	8.000000	20pF	2.86	2.69
559-FPX098-20	B	9.830400	20pF	2.86	2.69
559-FPX100	B	10.000000	Series	2.86	2.69
559-FPX100-20	B	10.000000	20pF	2.86	2.69
559-FPX115	B	11.059200	Series	2.86	2.69
559-FPX115-20	B	11.059200	20pF	2.86	2.69
559-FPX120	B	12.000000	Series	2.86	2.69
559-FPX120-20	B	12.000000	20pF	2.86	2.69
559-FPX128	B	12.288000	Series	2.86	2.69
559-FPX128-20	B	12.288000	20pF	2.86	2.69
559-FPX143	B	14.318180	Series	2.86	2.69
559-FPX143-20	B	14.318180	20pF	2.86	2.69
559-FPX147	B	14.745600	Series	2.86	2.69
559-FPX147-20	B	14.745600	20pF	2.86	2.69
559-FPX160	B	16.000000	Series	2.86	2.69
559-FPX160-20	B	16.000000	20pF	2.86	2.69
559-FPX184-20	B	18.432000	20pF	2.86	2.69
559-FPX196-20	B	19.660800	20pF	2.86	2.69
559-FPX200	B	20.000000	Series	2.86	2.69
559-FPX200-20	B	20.000000	20pF	2.86	2.69
559-FPX221	B	22.118400	Series	2.86	2.69
559-FPX240F-20	B	24.000000	20pF	2.86	2.69



SMD TUNING FORK WATCH CRYSTAL

- For applications that require the watch frequency (32.76 kHz).
- Sturdy thermoplastic housing
- 2.5mm height (max.)

MOUSER STOCK NO.	Fig.	Frequency (kHz)	Price Each		
			1	10	100
559-FSM327	C	32.768000	2.00	1.88	1.81
559-FST327	D	32.768000	2.00	1.88	1.81
559-FSR327	D	32.768000	2.00	1.88	1.81

MINI SMD HCMOS OSCILLATORS

- Sealed ceramic package
- For applications such as portable computers and peripherals, telecom-munication devices and instrumentation.

MOUSER STOCK NO.	Fig.	Frequency (MHz)	Price Each		
			1	10	100
559-F3345-184	E	1.843200	10.01	9.67	9.34
559-F3355-1200	E	12.000000	9.44	9.12	8.81
559-F3355-1600	E	16.000000	9.44	9.12	8.81
559-F3355-2000	E	20.000000	9.44	9.12	8.81
559-F3345-2400	E	24.000000	9.44	9.12	8.81
559-F3345-2500	E	25.000000	10.31	9.96	9.62
559-F3345-3200	E	32.000000	10.31	9.96	9.62
559-F3345-4000	E	40.000000	10.31	9.96	9.62
559-F3345-5000	E	50.000000	10.31	9.96	9.62
559-F3345-6400	E	64.000000	11.18	10.80	10.43

HALF SIZE HIGH SPEED CMOS TRI-STATE OSCILLATORS

- Operating temp.: -10°C to +70°C
- Output symmetry: 45%/55% (min/max)
- Storage temp.: -55°C to +125°C
- Supply volt.: 5.0 VDC ± 0.5

MOUSER STOCK NO.	Fig.	Frequency (MHz)	Price Each		
			1	10	100
559-H5C2-184	F	1.843200	5.33	5.15	4.97
559-H5C2-368	F	3.686400	5.33	5.15	4.97
559-H5C2-800	F	8.000000	5.33	5.15	4.97
559-H5C2-1431	F	14.318180	5.33	5.15	4.97
559-H5C2-1474	F	14.745600	5.33	5.15	4.97
559-H5C2-1600	F	16.000000	5.33	5.15	4.97
559-H5C2-2000	F	20.000000	5.33	5.15	4.97
559-H5C2-2400	F	24.000000	5.33	5.15	4.97
559-H5C2-2500	F	25.000000	5.33	5.15	4.97
559-H5C2-3200	F	32.000000	5.48	5.29	5.11
559-H5C2-4000	F	40.000000	5.48	5.29	5.11
559-H5C2-5000	F	50.000000	5.48	5.29	5.11

HIGH SPEED SMD CMOS/TTL OSCILLATORS

- Operating temp.: -10°C to +70°C
- Output symmetry: 40%/60% (min/max)
- Storage temp.: -55°C to +125°C
- Supply volt.: 5.0 VDC ± 0.5

MOUSER STOCK NO.	Fig.	Frequency (MHz)	Price Each		
			1	10	100
559-FSO2-184	G	1.843200	5.93	5.73	5.53

Oscillators and Crystals

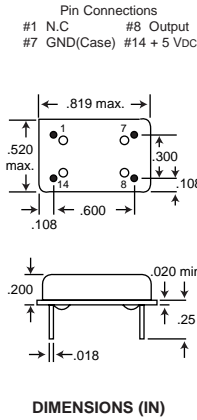


FULL SIZE TTL CLOCK OSCILLATORS

- Operating temp.: 0°C to +70°C
- Storage temp.: -55°C to +125°C
- Supply volt.: 5.0 VDC ± 0.5
- Output symmetry: 1.000 to 7.999 = 45%/55% (min/max)
8.000 to 100.000 = 40%/60% (min/max)

For quantities greater than listed, call for quote.

MOUSER STOCK NO.	Frequency (MHz)	Price Each		
		1	10	100
559-F1100E-184	1.843200	3.80	3.33	2.95
559-F1100E-245	2.457600	3.80	3.33	2.95
559-F1100E-368	3.686400	3.60	3.15	2.79
559-F1100E-400	4.000000	3.60	3.15	2.79
559-F1100E-737	7.372800	3.60	3.15	2.79
559-F1100E-800	8.000000	3.60	3.15	2.79
559-F1100E-1000	10.000000	3.60	3.15	2.79
559-F1100E-1105	11.059200	3.60	3.15	2.79
559-F1100E-1200	12.000000	3.60	3.15	2.79
559-F1100E-1431	14.318180	3.60	3.15	2.79
559-F1100E-1474	14.745600	3.60	3.15	2.79
559-F1100E-1600	16.000000	3.60	3.15	2.79
559-F1100E-2000	20.000000	3.60	3.15	2.79
559-F1100E-2400	24.000000	3.60	3.15	2.79
559-F1100E-2500	25.000000	3.60	3.15	2.79
559-F1100E-3200	32.000000	3.60	3.15	2.79
559-F1100E-4000	40.000000	3.60	3.15	2.79
559-F1100E-4800	48.000000	3.60	3.15	2.79
559-F1100E-5000	50.000000	3.60	3.15	2.79
559-F1100E-6400	64.000000	4.70	4.11	3.64
559-F1100E-8000	80.000000	7.90	6.91	6.12



SMD (TCXO) OSCILLATORS

These SMD TCXOs provide a small capacity and extended temperature range. These are exceptional for portable transmission and communication equipment.

Specifications:

- Operating temperature: -30°C to +75°C
- Storage temperature: -35°C to +80°C
- Frequency stability: over temp range ±2.5PPM over supply voltage change ±.3PPM over load change ±.3PPM
- Aging: ±1.0PPM/year @ 25°C
- Input current: 3.0mA
- Output load: 10kΩ, 15pF
- Supply voltage: 5.0VDC ±0.25

Pin Connections
#1 N.C. #3 Output
#2 GND #4 Supply Voltage

MOUSER STOCK NO.	Frequency (MHz)	Price Each		
		1	10	100
559-FOX759A-960	9.600000	47.82	41.97	38.85
559-FOX759A-1200	12.000000	47.82	41.97	38.85
559-FOX759A-1280	12.800000	47.82	41.97	38.85
559-FOX759A-1440	14.400000	47.82	41.97	38.85
559-FOX759A-1536	15.360000	47.82	41.97	38.85
559-FOX759A-1920	19.200000	47.82	41.97	38.85



TUNING FORK WATCH CRYSTALS

Specifications:

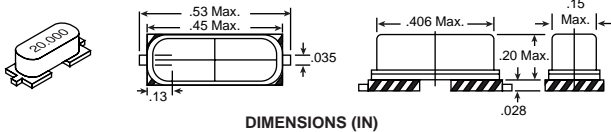
- Frequency tolerance: ±20PPM
- Load capacitance: 12.5pF
- Equivalent series resistance: 559-NC26 30k/50kΩ (typ./max.)
559-NC38 18k/35kΩ (typ./max.)
- Insulation resistance: 100MΩ
- Drive level: 1.0μW
- Aging: ±3PPM/year @ 25°C
- Operating temperature: -10°C to +60°C
- Storage temperature: -20°C to +70°C

MOUSER STOCK NO.	Frequency (kHz)	Price Each		
		1	10	100
559-NC26	32.768000	.80	.75	.73
559-NC38	32.768000	.80	.75	.73

SURFACE MOUNT MICROPROCESSOR CRYSTALS

Specifications:

- Oscillation mode: Fundamental
- Frequency tolerance: (@25°C): ±0.1%
- Operating temperature: -20°C to +70°C
- Drive level: 1.0mW±0.2mW
- Shunt capacitance (Co): 7pF max.
- Insulation resistance: 500MΩ @ 100VDC



MOUSER STOCK NO.	Freq. (MHz)	Load Cap. (pF)	Microprocessor	Price Each		
				1	10	100
332-SML0357	3.579545	18	MM5369, ICM7206	1.92	1.67	1.52
332-SM0409	4.096	16	ICM7038	1.92	1.67	1.52
332-SML0443	4.43619	20	Signetics 2650	1.92	1.67	1.52
332-SML0491	4.9152	Series	Z80/CON5026	1.92	1.67	1.52
332-SML0500	5.0	20	CP1600, Z80	1.92	1.67	1.52
332-SML0800	8.0	Series	CP1600/IM6100/MC6875	1.92	1.67	1.52
332-SML1000	10.0	Series	8080/8008/8224	1.92	1.67	1.52
332-SML2000	20.0	30	8080/8008/8224	1.92	1.67	1.52

Call For Quote

TTL/CMOS CLOCK OSCILLATORS

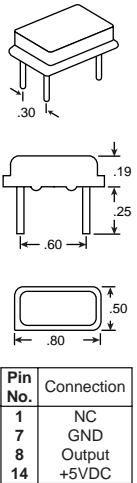
Specifications:

- Frequency stability ±50PPM (at 25°C)
- Operating temp. range: 0°C to +70°C
- Storage temp. range: -55°C to +125°C
- Supply voltage: 5VDC ±5V
- Supply current: 50mA (typical) 60mA (max.)

DIMENSIONS (IN)

For quantities greater than listed, call for quote.

MOUSER STOCK NO.	Freq. (MHz)	Input Current (Typ.) mA	Rise/Fall Time (max.) nS	Price Each		
				1	10	100
332-3036	3.6864	30	15	3.41	3.01	2.67
332-3061	6.144	25	15	3.41	3.01	2.67
332-3251	25.175	15	7	3.41	3.01	2.67
332-3283	28.332	15	6	3.41	3.01	2.67
332-3300	30.0	15	6	3.41	3.01	2.67
332-3325	32.514	15	6	3.41	3.01	2.67
332-3340	34.0	15	6	3.41	3.01	2.67
332-3420	42.0	15	6	3.41	3.01	2.67
332-3640	64.0	15	6	4.17	3.48	2.90

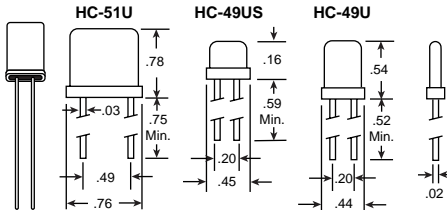


MICROPROCESSOR CRYSTALS

Specifications:

- Operating temperature: -10°C to +50°C
- Load capacitance: 32pF to 12pF
- Freq. tolerance: ±50PPM (at 25°C)
- Drive level: 2.0 mW max.

DIMENSIONS (IN)



HC51/U Crystals

For quantities greater than listed, call for quote.

MOUSER STOCK NO.	Freq. (MHz)	Load Capacitance (pF)	Microprocessor	Price Each		
				1	10	50
332-2021	2.097152	20	MM5378/MM5379	4.48	4.07	3.70

HC49/U-S Crystals

For quantities greater than listed, call for quote.

MOUSER STOCK NO.	Freq. (MHz)	Load Capacitance (pF)	Microprocessor	Price Each		
				1	10	100
332-5044	4.433	20	Signetics 2650	1.51	1.25	1.05
332-5050	5.0	20	CDP1802/IM6100A	1.51	1.25	1.05
332-5060	6.0	Series	MCS-48/IM8048/CDP1802	1.51	1.25	1.05
332-5065	6.5	20	Various MPU'S	1.51	1.25	1.05
332-5100	10.0	Series	MCS-85/8085A-2/9940-10	1.51	1.25	1.05
332-5110	11.0	Series	MCS-48/8039/8049	1.51	1.25	1.05
332-5150	15.0	Series	MCS-86/8086/8284/8202	1.51	1.25	1.05
332-5162	16.257	Series	Various MPU'S	1.51	1.25	1.05
332-5196	19.6608	Series	8080/8008A/8224/8350	1.51	1.25	1.05
332-5240	24.0	Series	MCS-86/8086/8284	1.51	1.25	1.05

For The Microprocessor Crystal Kit, See Page 352

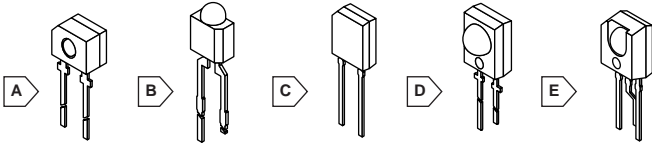
HC49/U Crystals

For quantities greater than listed, call for quote.

MOUSER STOCK NO.	Freq. (MHz)	Load Capacitance (pF)	Microprocessor	Price Each		
				1	10	100
332-1010	1.0	13	MC6800/6860	9.82	8.93	8.12
332-1041	4.096	30	ICM7038	1.24	1.03	.86
332-1045	4.433619	20	Signetics 2650	1.24	1.03	.86
332-1052	5.185	32	MCS-40/CDP1802	1.24	1.03	.86
332-1073	7.3728	Series	6875/8051/8031/2920	1.24	1.03	.86
332-1110	11.0	Series	MCS-48/8039/8049	1.24	1.03	.86
332-1119	11.98135	Series	Various MPU'S	1.24	1.03	.86
332-1121	12.096	Series	Spec. Freq. MPU'S	1.24	1.03	.86
332-1122	12.288	Series	General Purpose	1.24	1.03	.86
332-1147	14.7456	Series	General Purpose	1.24	1.03	.86
332-1150	15.0	Series	MCS-86/8086/8284/8202	1.24	1.03	.86
332-1160	16.0	Series	8080/8008/8224	1.24	1.03	.86
332-1180	18.0	Series	MCS-80/8080A/8224	1.39	1.16	.97
332-1184	18.432	Series	MCS-80/8080A/8224	1.39	1.16	.97
332-1196	19.6608	Series	8080/8008/8224/8350	1.39	1.16	.97
332-1200	20.0	Series	MCS-80/8080A/8224	1.39	1.16	.97
332-1221	22.1184	Series	MCS-80/8080A/8224	1.58	1.32	1.10
332-1240	24.0	Series	MCS-86/8086/8284	1.58	1.32	1.10
332-1320	32.0	Series	8080/8008/8224	1.39	1.16	.97
332-1480	48.0	Series	TMS9900 Series	1.39	1.16	.97
332-1720	72.0	Series	Various MPU'S	1.39	1.16	.97
332-1960	96.0	Series	Various MPU'S	3.99	3.62	3.29

Optoelectronics

CEL California Eastern Laboratories **NEC** OPTOELECTRONIC DEVICES



Infrared Emitting Diodes

This offering of NEC infrared emitting diodes gives the customer a wide choice in infrared products that will meet many industrial and consumer applications. Applications for these devices would be for remote control products, smoke detectors, optical encoders, and many more.

For quantities greater than listed, call for quote.

MOUSER STOCK NO.	Fig.	V _F (V) (Max.)	t _{on} /t _{off} (μs)	P _D (mW)	Wave-length λ _p (nm)	Forward Current (Max.) (mA)	Output Power (Typ.) (mW)	Price Each	
								1	100
551-SE308	A	1.4	1.0/1.0	100	940	50.0	0.85/sr	.35	.34
551-SE310	B	1.4	1.0/1.0	100	940	60.0	11.0/sr	.41	.40

Photo Transistors

This offering of NEC phototransistors give customer a choice of packages for use with the infrared diodes above. Applications include photo sensor, optical encoder, and various photo sensors.

For quantities greater than listed, call for quote.

MOUSER STOCK NO.	Fig.	V _{CEO} (Max.) (V)	I _{CEO} (Max.) (nA)	Photo Current		V _{CE} (sat) (Max.) (V)	Typical Rise/Fall t _r /t _f (μs)	Price Each	
				Min.	Typ.			1	100
551-PH108	A	30	100	0.3	0.9	0.3	--/40	.29	.28
551-PH108A	A	30	100	0.2	0.6	0.3	15/15	.29	.28
551-PH110	B	30	100	0.2	0.4	0.3	20/20	.46	.44

Photo Diodes

This offering of NEC photo diodes with a PIN structure have a wide photo-receiving area and high speed response, enabling applications for various remote controlling applications. The resin material itself used for the package has a filter effect to pass only infrared light.

For quantities greater than listed, call for quote.

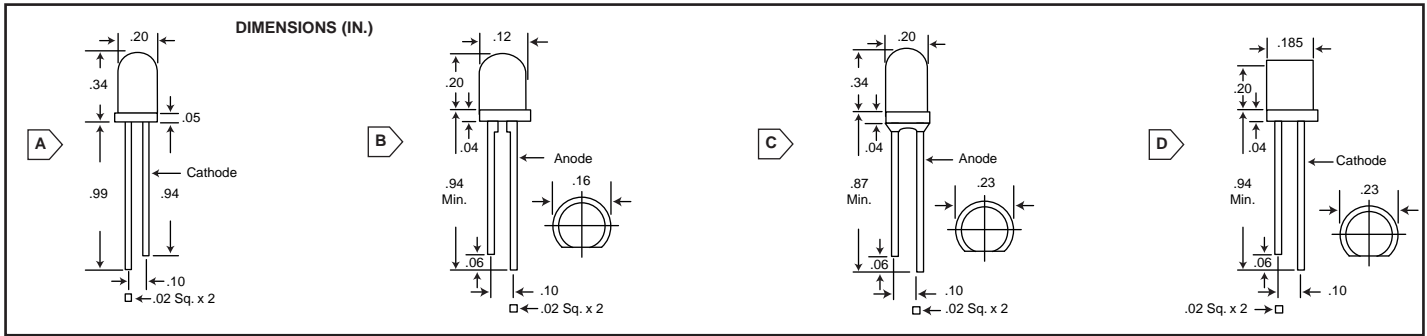
MOUSER STOCK NO.	Fig.	V _R (Max.) (V)	t _r /t _f (ns) (Typ)	P _D (mW)	Wave-length (nm)	I _R Dark Current (nA)	Spectral Sensitivity (nA/lx) (Min/Typ)	Price Each	
								1	100
551-PH302	C	32	125/125	150	940	30	35/50	.80	.78
551-PH302C	C	32	125/125	150	990	30	25/32	.86	.84
551-PH310	D	32	120/120	150	990	10	25/32	.62	.61
551-PH320	D	32	30/30	100	940	10	.036/0.044	.59	.58

Integrated Circuit Photo Diodes

These NEC IC photo diodes are a digital-output light receiving IC, integrating a photo diode and a signal processing circuit in one chip. This simplifies the circuit configuration. They are ideally suited for the application of the light-receiving module internal elements of a simplified optical transmission link.

For quantities greater than listed, call for quote.

MOUSER STOCK NO.	Fig.	V _{CC} (Max.) (V)	t _r /t _f (ns) (Typ)	P _D (mW)	Output Voltage (Low/High)	Supply Current (Low/High) (mA)	Hysteresis (Typ)	Price Each	
								1	100
551-PH502HC	E	17	100/50	250	0.15/4.9	2.5/1.0	0.7	1.10	1.07
551-PH502HR	E	17	100/50	250	0.15/4.9	2.5/1.0	0.7	1.10	1.07



LED LAMPS

Infrared Emitting Diodes

For quantities greater than listed, call for quote.

MOUSER STOCK NO.	Fig.	Lens Color	Forward V		Radiant Power		Peak Wavelength (nm)	Viewing Angle	Price Each		
			Typical	Maximum	Minimum	Typical			1	100	500
351-2201	A	Blue	1.2V	1.5V	0.5mW	10.5mW	940	30°	1.18	.91	.83
351-1155	B	Wtr Clr	1.3V	1.7V	8.0mW	13mW	940	36°	1.15	.95	.85
351-1153	C	Wtr Clr	1.3V	1.7V	10mW	16mW	940	22°	1.29	.99	.89
351-1154	D	Wtr Clr	1.3V	1.7V	7.5mW	12mW	940	60°	1.09	.82	.75

LED LAMPS

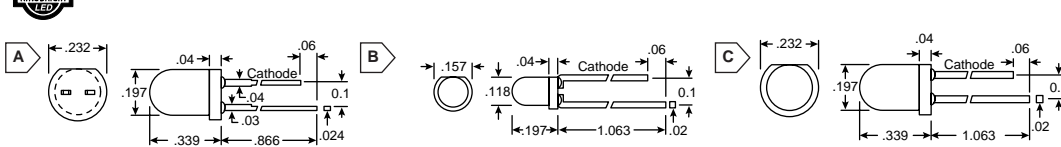


Photo Transistor

For quantities greater than listed, call for quote.

MOUSER STOCK NO.	Fig.	Breakdown Voltage		Dark Current Maximum	Rise/Fall Time Typical	On-State Collector Current		Collector-Emitter Saturation Breakdown Voltage	Power Dissipation @ 25°C	Price Each		
		CEO	ECO			Min.	Max.			1	100	500
604-L51P3C	A	30V	5V	100nA	3μs	1mA	8mA	0.8V	100mW	.46	.36	.31

Infrared Diodes

For quantities greater than listed, call for quote.

MOUSER STOCK NO.	Fig.	Lens Color	Forward Voltage		Radiant Power		Reverse Current	Peak Wavelength (nm)	Viewing Angle	Price Each		
			Typ.	Max.	Min.	Typ.				Max.	1	100
604-L34SF4C	B	Wtr Clear	1.4	1.7	3.2	7.0	10uA	880	30°	.68	.55	.47
604-L53SF4B	C	Blue	1.4	1.7	5.0	10.0	10uA	880	30°	.68	.55	.47
604-L53SF4C	C	Wtr Clear	1.4	1.7	5.0	10.0	10uA	880	30°	.68	.55	.47

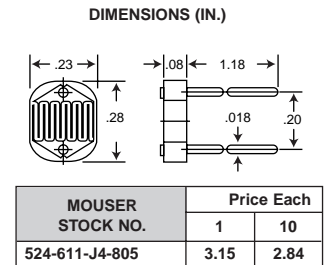
CDS PHOTO CELL

Applications:

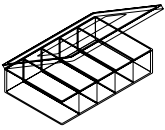
- Light and lamp controls
- Automatic grain feeders
- Security lighting
- "Electric - Eyes"

Specifications:

- 12K Ω min. @ 1F/C/DL
- 250Ω @ 100F/C/DL
- Maximum power dissipation: 75mW



Prototype Kits



- Designed for engineers, prototype and repair benches, school labs, short production runs, and hobbyists.
- No guesswork. Our kits spell out exactly what you get.
- Production quantities of all listed components are in stock. Call for Quote.
- Compare kits on this page with anyone else's and you will see why quality, price, selection, and convenience are reasons to purchase component kits from Mouser.

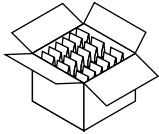
Capacitor Kits

MOUSER STOCK NO.	Type	Range of Values	Pieces in Each Kit	Description	Price Each
370-540-1	Tantalum, ±10%, 6.3-35 volt, radial	.1-100µF	120	10 each: .1, .15, .22, .33, .47, .68 (35WVDC), 5 each: 1.0 (35WVDC), 2.2, 4.7, 10, (25WVDC), 3.3, 4.7, 6.8, 22, (16WVDC), 33, (10WVDC), 15, 47, 100 (6.3WVDC)	49.95
370-140PFK-1	Polyester, ±10%, 100 volt, radial	.001-.47µF	175	10 each: .001, .0015, .002, .0022, .0033, .005, .01, .015, .02, .022, .033, .047, .05, .068, .1, .15, .22, 5 each: .47	23.95
370-140PFF-1	Polyester, ±2%, 100 volt, radial	.001-.1µF	120	10 each: .001, .0015, .0022, .0033, .0047, .01, .015, .022, .033, .047, .068, .1	49.95
370-GP50-1	Ceramic disc, 50 volt, radial	5pF-.1µF	360	20 each: 5, 10, 22, 33, 47, 68, 100, 220, 270, 330, 470, 500pF, .001, .002, .005, .01, .05, .1	29.95
370-GP500-1	Ceramic disc, 500 volt radial	5pF-.02µF	360	20 each: 5, 10, 22, 33, 47, 68, 82, 100, 220, 270, 330, 470, 500pF, .001, .002, .005, .01, .02	29.95
370-208-25	Miniature electrolytic radial	1-1,000µF	85	10 each: 1, 2.2, 3.3, 4.7, 10 (50WVDC), 5 each: 22 (50WVDC), 33, 47 (35WVDC), 100, 220, 470, 1000 (25WVDC)	33.95
370-PS-1	Polystyrene film, ±5%, 50WVDC	100-820pF	120	10 each: 100, 120, 150, 180, 220, 270, 330, 390, 470, 560, 680, 820 (axial leads)	24.95
370-PS-2	Polystyrene film, ±5%, 50WVDC	.001-.01µF	120	10 each: .001, .0012, .0015, .0018, .002, .0022, .0027, .0033, .0039, .005, .0068, .01 (axial leads)	24.95
370-140XAL-1	Miniature electrolytic axial	.47-1000µF	80	10 each: .47, 1.0 (50V), 5 each: 2.2, 3.3, 4.7, 10, 20, 220, (50V), 33, 470, (35VDC), 47, 100, 330, 1000, (25VDC)	29.95
370-140XAL-2	Miniature electrolytic axial	220-4700µF	25	5 each: 220 (50VDC), 330 (25VDC), 3 each: 470 (35VDC), 1000 (25VDC), 1000 (50VDC)	29.95
370-140XRL-1	Miniature electrolytic radial	1-1000µF	80	10 each: 1, 2.2, 4.7, 22 (50V), 10 each: 10, 47 (35V) 5 each: 100, 470, 1000 (50VDC), 220 (35V)	29.95
370-140MLR-1	Micro-miniature Electrolytic radial	.1-220µF	150	10 each: .1, .22, .33, .47, 1.0, 2.2, 3.3, 4.7, 10 (50V), 4.7, 22 (35V), 33 (25V), 47, 100 (16V), 220 (10V)	49.95
370-5982-1	Dipped Mica, ±5%	1-2000pF	120	5 each: 1, 2, 3 (300V), 5 each: 5, 10, 22, 33, 39, 47, 56, 75, 100, 220, 270, 330, 390, 470, 560, 680, 820, 1000, 1200, 1500, 2000, (500V)	86.25
5987-KIT3	SMT Polymer Alum., Low ESR	4.7-33µF	36	6 each: 33, 47, (6.3V), 6 each: 22, (8V), 6 each: 10, (12.5V), 6 each: 4.7, 6.8, (16V)	66.80

"C-PAC" ASSORTMENT

Capacitor Kits

"C-PAC" kits are the same as above but are packaged with 100 or 200 of each value.



MOUSER STOCK NO.	Type	Range of Values	Pieces in Each Kit	Description	Price Each
370-140PFK-C1	100V±10% polyester	.001-.005µF	600	100 each: .001, .0015, .002, .0022, .0033, .005	28.95
370-140PFK-C2	100V±10% polyester	.01-.047µF	600	100 each: .01, .015, .02, .022, .033, .047	36.95
370-140PFK-C3	100V±10% polyester	.05-.047µF	600	100 each: .05, .068, .1, .15, .22, .47	89.95
370-140PFK-C	100V±10% polyester	.001-.047µF	1800	100 each: All values listed above	134.95
370-GP50-C	50V ceramic disc	5pF-.1µF	3600	200 each: All values listed above in 370-GP50-1	89.95

Component Kits

MOUSER STOCK NO.	Type	Range of Values	Pieces in Each Kit	Description	Price Each
370-159-1	Solderless connectors	----	180	18 types of connectors and disconnects, insulated	14.95
370-159-2	Solderless connectors	----	180	18 types of connects and disconnects, non-insulated	14.95
370-333-1N1	Diode/rectifiers (1 amp)	50-1000PRV	140	20 each: 1N4001, 1N4002, 1N4003, 1N4004, 1N4005, 1N4006, 1N4007	29.95
370-LED-2	Light emitting diodes	----	180	18 types T1, T 1 3/4, rectangle and square, clear and diffused lenses	33.95
370-333Z-1	Zener diodes (500mW)	5.6-24 Volt	100	5 each: of 20 values 5.6 to 24 volts, ±5%	33.95
370-332-1	Microprocessor crystals	23 types	46	2 each: 3.2768, 3.579545, 3.93216, 4.0, 4.096, 4.194304, 4.433, 4.9152, 5.0, 5.0688, 6.0, 6.144, 6.5536, 8.0, 10.0, 12.0, 12.069, 14.31818, 16.0, 18.0, 18.432, 19.2, 20.0MHz	89.95
370-44FM-1	Metric fuse kit	.5-10 amp	60	10 each: .5, 1, 2, 3, 5 and 10 amp	12.95
370-44FP-1	Standard fast acting fuses	1/4-5 amp	180	30 each: .25, .50, 1.0, 2.0, 3.0, 5.0 amp 250 volt	23.95
370-20V-1	Metal oxide varistor kit	48-510V	205	3 each: VZA series: 48, 130, 150; VZC series: 130, 150; 2 each: VZC series: 250; VZD series: 130, 150, 275, 510	32.95
370-NTC-T2	NTC thermistors	100Ω to 50KΩ	60	5 each: 100, 200, 300, 500, 1K, 2K, 3K, 5K, 10K, 15K, 20K, 50K @ 25°C	29.95
370-RFC-1	RF choke (43LR series)	.22-1000µH	180	10 each: .22, .47, 1.0, 2.2, 3.3, 4.7, 10, 15, 22, 33, 47, 68, 100, 220, 330, 470, 680, 1000µH	49.95
370-EMCC	Epoxy miniature choke coils	.15µH to 1000µH	240	10 each: .15, .22, .33, .47, .68, 1.0, 1.5, 2.2, 3.3, 4.7, 6.8, 10, 15, 22, 33, 47, 68, 100, 150, 220, 330, 470, 680, 1000µH	89.95
370-ESCC	Epoxy small choke coils	.33 to 1000µH	240	10 each: .33, .47, .68, 1.0, 1.5, 2.2, 3.3, 4.7, 6.8, 10, 12, 15, 18, 22, 27, 33, 47, 100, 150, 220, 330, 470, 680, and 1000µH	89.95
370-TPV-1	Trim pots 6, 8, 10mm vertical	1KΩ to 500KΩ	180	10 each: 321-2100 series 6mm: 1K, 5K, 10K, 50K, 100K, 500K, (.05W) .32RM series 8mm: 1K, 5K, 10K, 100K, 500K, (.1W) 32R series 10mm: 1K, 5K, 10K, 50K, 100K, 500K, (.1W)	69.95
370-PT10	Trim pots 10mm, vert. & horiz.	500 to 500KΩ	180	10 each: 500, 1K, 5K, 10K, 25K, 50K, 100K, 250K, and 500K in both horizontal and vertical mount	69.95
370-TPH-1	Trim pots 6, 8, 10mm horizontal	1KΩ to 500KΩ	180	10 each: 321-2000 series 6mm: 1K, 5K, 10K, 50K, 100K, 500K, (.05W) 32RH series 8mm: 1K, 5K, 10K, 50K, 100K, 500K (.1W) 32R series 10mm: 1K, 5K, 10K, 50K, 100K, 500K, (.1W)	69.95
370-LIN-1	Linear IC kit	----	76	5 each: LM311, LM324, LM339, LF353, LM358, LM393, NE555, NE556, MC1488, MC1489, ULN2003A	69.95
370-TRA-1	Transistors	----	180	3 each: LF347, LF356, LM741, LM1458, CA3130, CA3140, CA3059	39.95
370-511-1	Transistors, power, TO-220	----	90	5 each: MJE3055T, MJE13005, MJE13007, TIP29, TIP29C, TIP30, TIP31C, TIP32, TIP32C, TIP41C, TIP42, TIP42C, TIP48, TIP120, TIP121, TIP122, TIP125, and TIP131	89.99
370-SMD-1	Surface mount diode rectifiers	1amp, 50-800PRV	60	10 each: 1N4001, 1N4002, 1N4003, 1N4004, 1N4005, 1N4006	29.95
370-331-1	1 amp DIP silicon bridge rectifiers	50-800PRV	30	5 each: 50, 100, 200, 400, 600, 800PRV	29.95
370-VRG-1	Voltage regulator IC kit	5V-18V, variable	72	4 each: 7805, 7805A, 78M05, 78S05, 7905, 7808, 7908, 7812, 7812A, 78S12, 7912, 7815, 7915A, 7818, 7918, LM317T, LM337, LM723	59.95
370-331-2	200 PRV silicon bridge rectifiers	1-15 amp	80	10 each: 1, 1.5, 2, 3, 4, 6, 10, 15 (200PRV)	159.95
370-526-1	Semiconductor	----	155	NTE replacements, 25 different types (replaces 63,703 devices)	249.95
370-526-2	Semiconductor	----	125	NTE replacements, 25 different types (replaces 20,251 devices)	219.50
370-164-1	Binding post kit	----	40	10 each: Red and black; 5 each: Blue, green, white, and yellow	49.95
561-M1991	Transistor hardware, nylon	----	180	Assortment: 17 styles and configurations	28.33
561-M1992	Spacers/standoffs, nylon	----	340	Assortment: 40 sizes and types	46.66
561-M1993	Shoulder washers, nylon	----	300	Assortment: 30 sizes and types	28.33
561-M1994	PCB posts, nylon	----	700	Assortment: 10 sizes and types	46.66
561-M1995	Cable clips, nylon	----	140	Assortment: 15 sizes and types	28.33
561-M1996	Cable clamps, nylon	----	290	Assortment: 18 sizes	46.66
561-M1997	Flat washers, nylon	----	500	Assortment: over 40 sizes	28.33
561-M1998	Screws & nuts, nylon	----	750	Assortment: over 40 sizes	46.66
561-M1999	Strain relief	----	108	9 each: of the 12 most popular series	28.33
524-11-528	Metric hardware kit	2-4mm	108	2.0, 2.6, 3.0, and 4mm hardware	44.24
383-1425	Color coded wire jumper kit	#22 AWG	560	25 pieces of 14 lengths #22 AWG solid	12.58
538-KK-100	Modular interconnection kit	.100"	---	Designer/service kit for .100" center, K.K. series modular connectors	39.95
538-KK-156	Modular interconnection kit	.156"	---	Designer/service kit for .156" center, K.K. series modular connectors	39.95